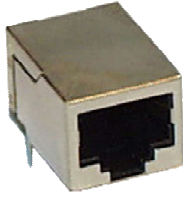


EPJ9369



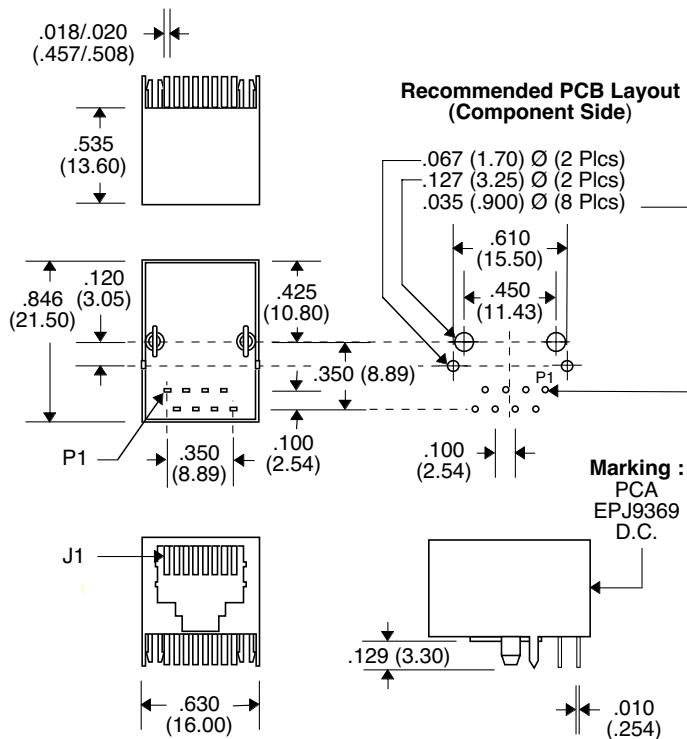
- Space Saving RJ-45 Connectors
- Operating Temperature : 0°C to 70°C
- Available in Different Shielding Configurations
- 1500 Vrms Isolation

Electrical Parameters @ 25° C

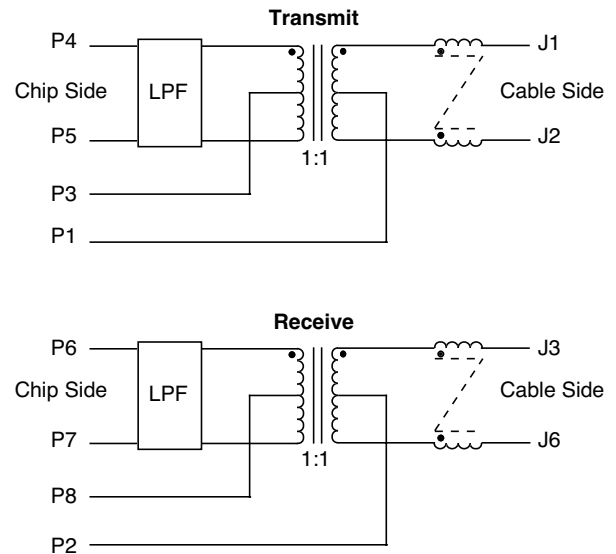
Cut-off Frequency (MHz ± 1 MHz)	Insertion Loss (dB Max.)	Return Loss (dB Min.)	Attenuation (dB Min.)				Crosstalk (dB Min.)
			@ 20 MHz	@ 25 MHz	@ 30 MHz	@ 40 MHz	
Xmit/Rcv	1-10 MHz	5-10 MHz	Xmit/Rcv	Xmit/Rcv	Xmit/Rcv	Xmit/Rcv	@ 1-10 MHz
17/17	-1/-1	-13.5	-5/-4.2	-18/-11	-28/-16	-33/-26	-30

• Cable Side Impedance : 100 Ω •

Package



Schematic



Unless Otherwise Specified Dimensions are in Inches /mm ± .010 / .25