

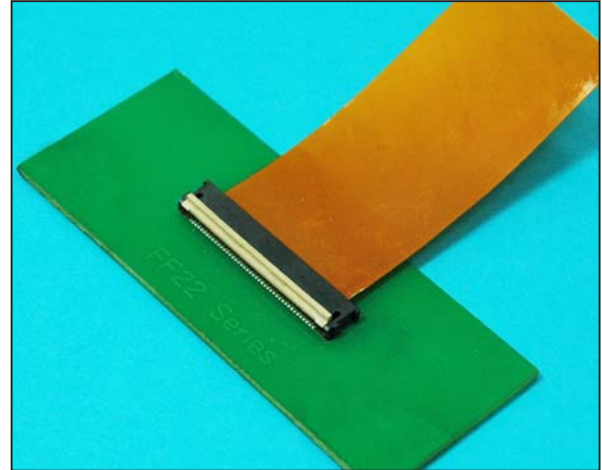
0.3mm Pitch Solid Back Lock FPC Connector

FF22E Series



FEATURE

- Contact tails shall be located zigzag.
(Contact Pitch: 0.3mm)
- DDK's original rotate oval cam lock mechanism; "Back-lock" system enables to be easy operation.
- Wide FPC guide at the interface is improved mating FPC.
- The nickel barrier at the contact tails prevent solder wicking.
- Connectors deliver with the lock lever opened.
- Time saving for FPC inserting operation.
- Width : 33.5mm
- Depth : 6.71mm (Lock lever opened)
: 7.75mm (Lock lever closed)
- Height : 3.65mm (Lock lever opened)
: 2.57mm (Lock lever closed)



SPECIFICATIONS

Item	Specifications
Rated Voltage	50V AC(r.m.s.)
Rated Current	0.2A / Contact
Dielectric Withstanding Voltage	200V AC (r.m.s.) / 1 minute
Insulation Resistance	50 MΩ (min.) at 250V DC
Contact Resistance	50m Ω (max.)
Number of Contact	84, 92

MATERIAL//FINISH



Item	Material / Finish
Contact	Copper Alloy / Au(Flash) over Ni Plating
Housing	LCP Resin (UL94V-0) / Black
Lock Lever	PPS Resin (UL94V-0) / Natural : 84 Contact PPS Resin (UL94V-0) / Brown : 92 Contact

Part Number **FF22E-092B-R13A**

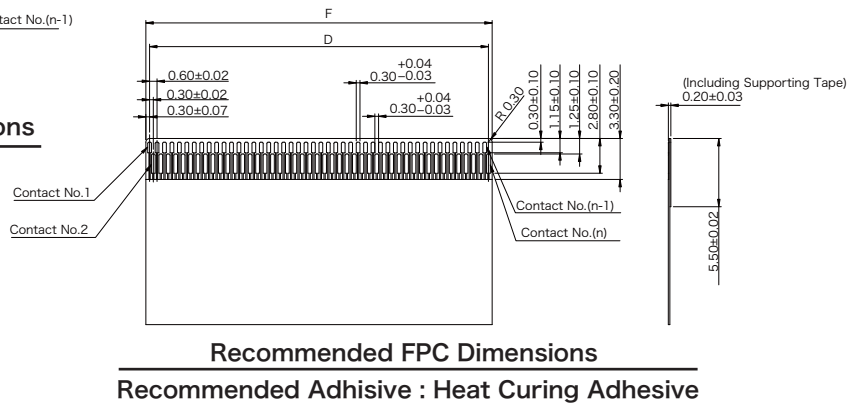
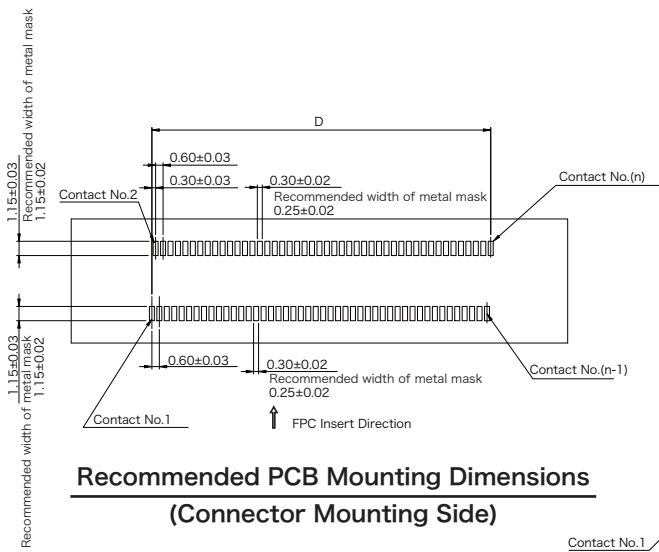
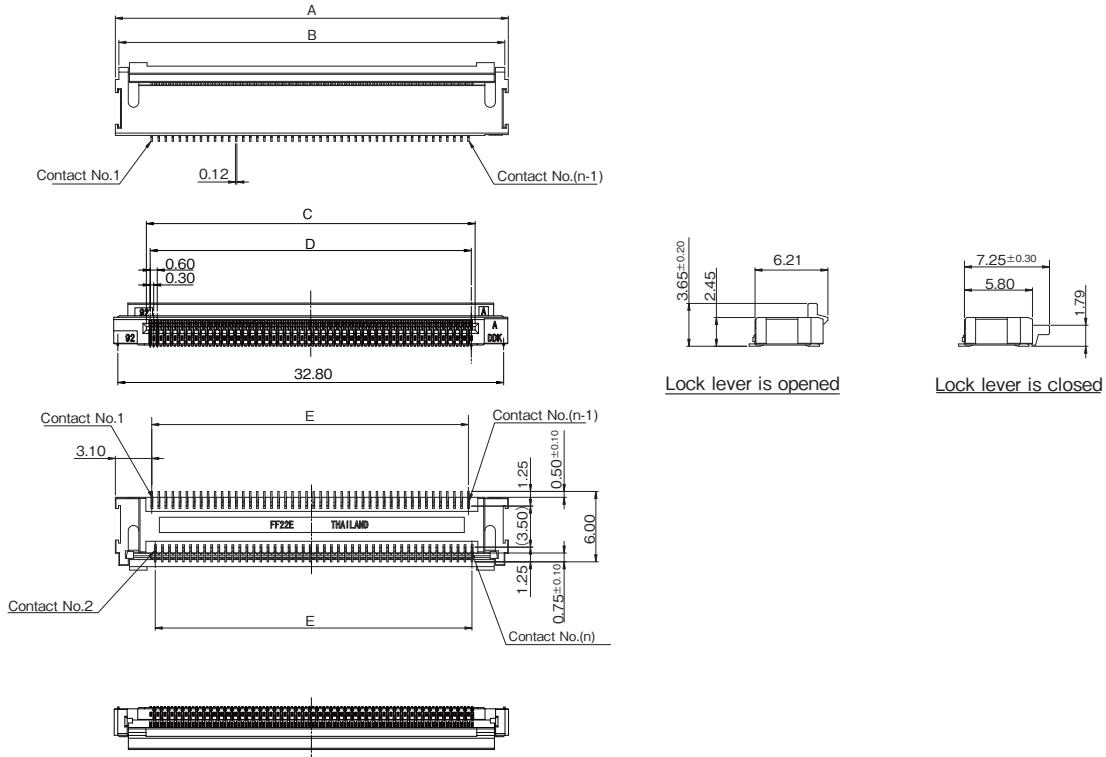
①
②
③
④
⑤
⑥
⑦

① Series	FF22E
② Number of Contact	084 : 84 Contacts 092 : 92 Contacts
③ Contact Position	B : Upper Contact
④ Contact Style	R : Right Angle
⑤ Contact Pitch	1 : 0.3mm
⑥ Contact Plating	3 : Au (Flash) over Ni Plating
⑦ Lock Lever Style	A : Standard

© Specifications and/or dimensions in this catalogue are subject to change without notice.

Your catalogue checking the latest specifications with our drawings would be highly appreciated.

▶ 0.3mm Pitch FPC Connector

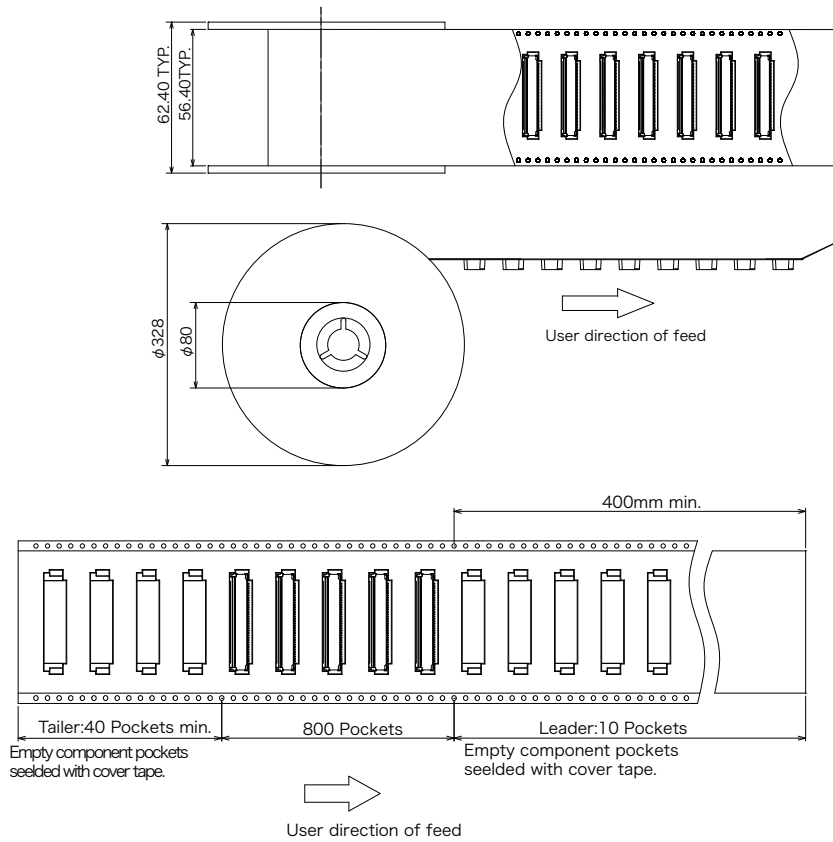


Part Number	A	B	C	D	E	F
FF22E-084B-R13A	31.1	30.5	25.55	24.90	24.60	25.50
FF22E-092B-R13A	33.5	32.9	27.95	27.30	27.00	27.90

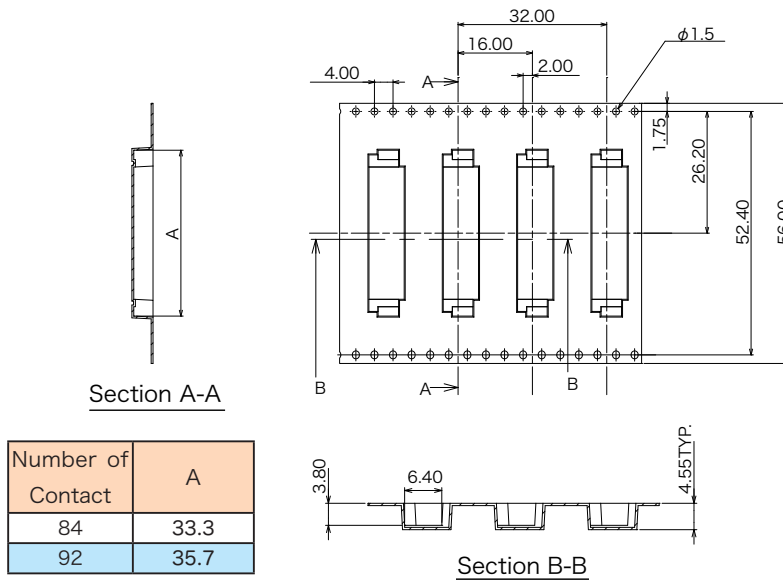
© Specifications and/or dimensions in this catalogue are subject to change without notice.
Your catalogue checking the latest specifications with our drawings would be highly appreciated.

Package Specifications

■ Reel Dimensions



■ Emboss Tape Dimensions



Package Quantity : 800pcs./ Reel