

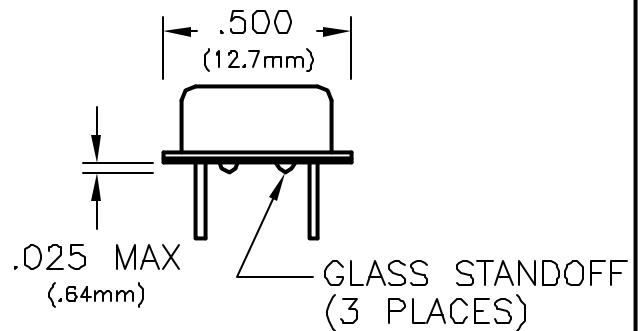
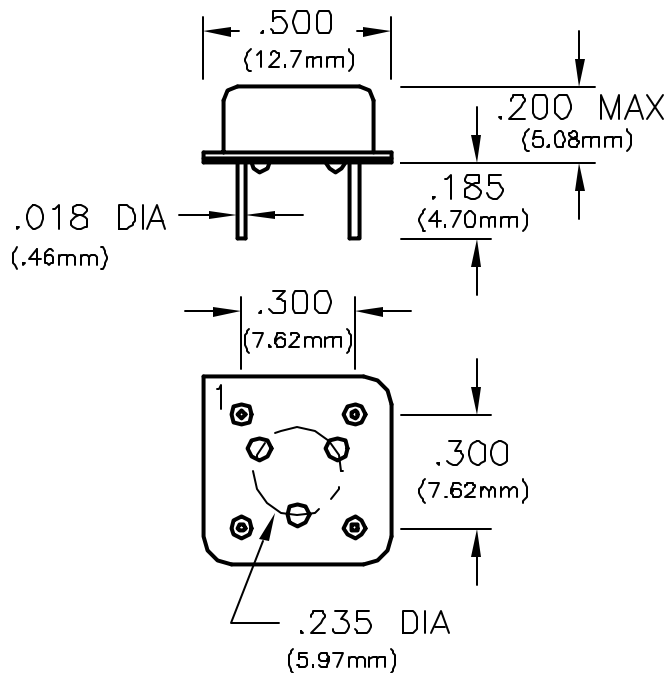


CONNOR-WINFIELD CORPORATION

AURORA, IL. 60505
 PHONE (630) 851-4722
 FAX (630) 851-5040

8 PIN DIP HCMOS

SPECIFICATIONS		H73
Frequency Range		250Hz to 70MHz
Frequency Stability		±100ppm
Temperature Range		-55°C to +125°C
Waveform		High Speed CMOS Squarewave
Load		15pF
Output	Voltage	Voh 4.5V Minimum Vol 0.4V Maximum
	Current	Ioh -4.0mA Iol 4.0mA
	Symmetry	40/60 Maximum
	Rise/Fall Time	6nS
Start Up Time		10mS Maximum
Supply Voltage		+5Vdc ±10%
Supply Current		25mA Maximum
Package		All metal, hermetically sealed, welded package
Options (add suffix to model no)	A	External Frequency Adjust ±10ppm
	G	Gating; Logic 0 Enable, Logic 1 Disable (<25MHz only)



PIN	CONNECTION
1	NC or GATING
4	GROUND (CASE)
5	OUTPUT
8	(+) SUPPLY

Dimensional Tolerance ±.005

Specifications subject to change without notice

BULLETIN #: HC102
 PAGE 1 OF 1

REV: 01
 DATE: 2/10/04

ISSUED BY: _____