

**SPECIFICATIONS**

Electrical Ratings	50mA @ 12VDC
Electrical Life	100,000 cycles typical
Contact Resistance	< 50 mΩ initial
Actuation Force	250 +/- 50gF
Actuator Travel	0.3 +/- .1mm
Dielectric Strength	1000Vrms min
Insulation Resistance	> 100MΩ min
Operating Temperature	-40°C to 85°C
Storage Temperature	-40°C to 85°C



**MATERIALS ←RoHS COMPLIANT**

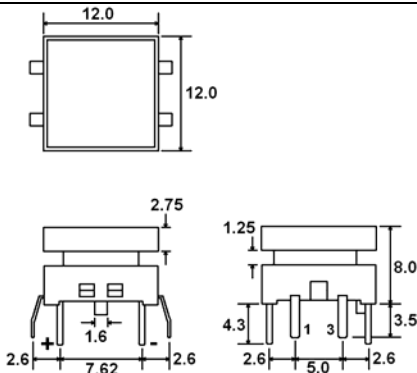
Cover	PC
Housing	Nylon
Lens	PC
Contacts	Copper Alloy, Gold over Nickel Plated
Terminals	Copper Alloy, Gold over Nickel Plated

**ORDERING INFORMATION**

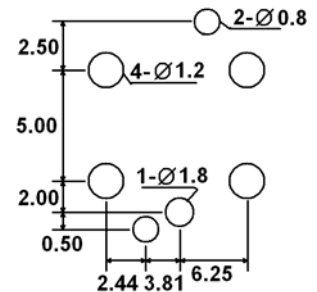
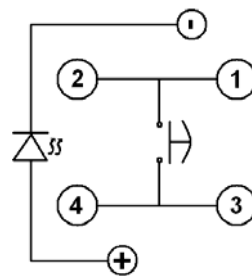
<b>1. Series:</b>	<b>JS</b>	<b>B</b>	<b>C</b>
JS			
<b>2. LED Color:</b>			
R = Red	B = Blue		
G = Green	W = White		
Y = Yellow			
<b>3. Clear Cap Style:</b>			
Blank = No Cap			
A, B, C, D, E, F, G			

LED Ratings		R	G	Y	B	W	Units
Reverse Voltage	V <sub>R</sub>	5	5	5	5	5	V
Forward Current (avg / peak)	I <sub>F</sub> / I <sub>FS</sub>	30 / 125	30 / 125	30 / 125	30 / 125	30 / 125	mA
Reverse Current V <sub>R</sub> = 5V	I <sub>R</sub>	10	10	10	10	10	μA
Power Dissipation	P <sub>T</sub>	69	75	75	120	120	mW
Forward Voltage (typ. / max), I <sub>F</sub> = 20mA	V <sub>F</sub>	1.8 / 2.6	2.2 / 2.6	2.1 / 2.6	3.5 / 4.0	3.2 / 3.8	V
Wavelength, Peak Emission, I <sub>F</sub> = 20mA	λ <sub>P</sub>	660	572	595	455	----	nm
Spectral Line Half-Width, I <sub>F</sub> = 20mA	Δλ	20	20	20	30	----	nm
Luminous Intensity, I <sub>F</sub> = 20mA	LI	20	20	80	40	200	mcd
Viewing Angle	Θ	150	150	150	150	150	Deg

**DIMENSIONS**



**SCHEMATIC & PC LAYOUT**



**CLEAR CAP OPTIONS**

