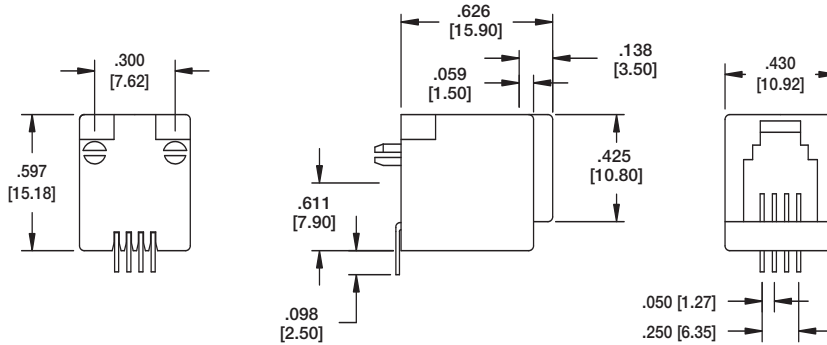


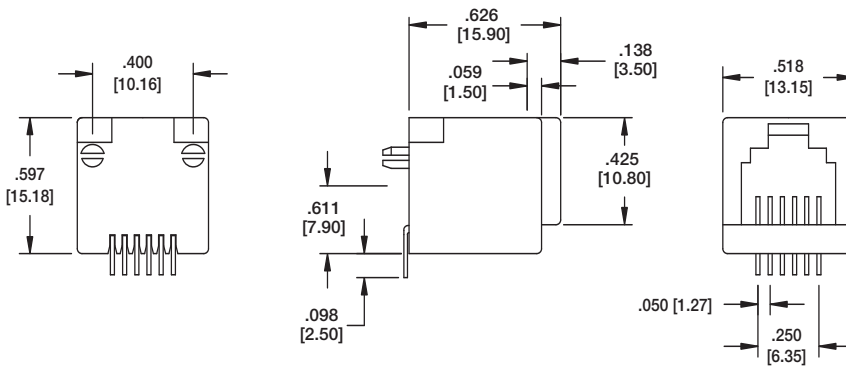
Ordering Information pg. 9

**TYPE K**  
4P4C



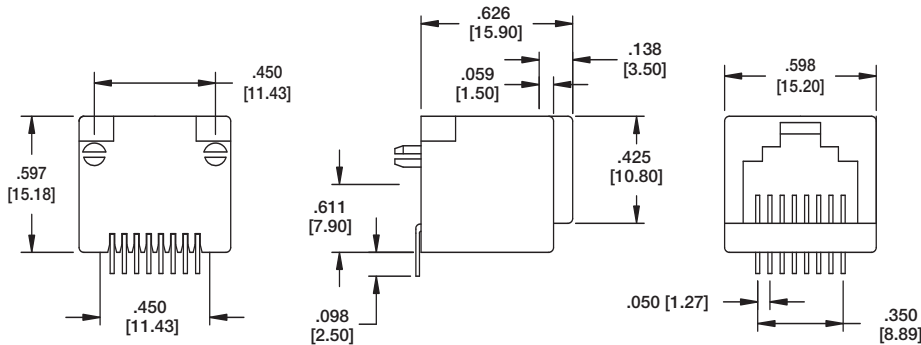
MTJ-44KX1

**TYPE K**  
6P4C  
6P6C



MTJ-66KX1

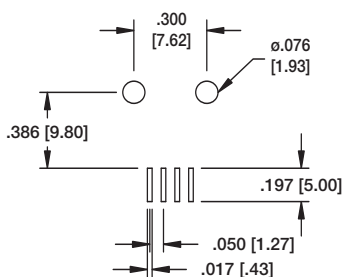
**TYPE K**  
8P8C



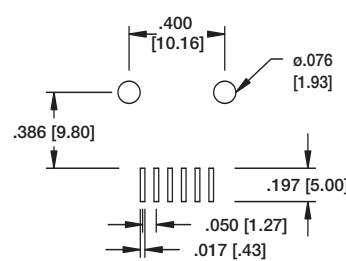
MTJ-88KX1

Recommended PCB Layout

4p4c



6p6c



8p8c

