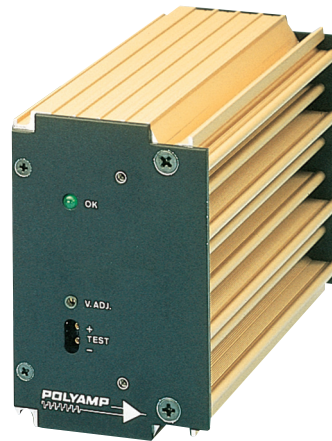


PSC AC Series

100 - 240 WATTS AC/DC SINGLE MULTI OUTPUT

Features

- Convection cooled
- Operating temperature to 70°C
- Meets IP30
- Conformal coated
- IEC61000-4-4, EN61000-6-2
- IEC60950, EN60950



Specifications

INPUT

Voltage	See table.
Current at No Load (max)	3W–5W
Protection	Fuse on board, reverse voltage protection
Isolation	Input – Output: 2.5kVac / 4kVdc. Input – Case: 2.5kVac / 4kVdc. Output – Case: 2kVdc. Alarm – Input: 2.5kVac / 4kVdc.
Soft Start	Yes with inrush current limit

OUTPUT

Power	See table.
Voltage Adjustment	-10% to +10%.
Current Limit	105%
Ripple & Noise pk-pk	10mV pk-pk typical
Regulation	Line: 0.2% L1 to H1; Load: 0.2% NL to FL
Temperature Coefficient	0.02% per °C
Transient Response	10% up to 100% typical <2mS
Overvoltage Protection	Option.
Reverse Voltage Protection	Option.
Efficiency	AC 80%–91% typical ACW 78%–87% typical ACR 80%–91% typical

ENVIRONMENTAL

Operating Temperature	-25°C to +70°C (Single outputs > 10V). -25°C to +55°C (Single outputs < 10V). -25°C to +55°C (Dual and triple outputs).
Storage Temperature	-40°C to +85°C
Derating	No
Cooling	Convection

STANDARDS AND APPROVALS

Safety standards	IEC950, IEC 60950
C-Tick	AS/NZS CISPR11: 2002 Group1 Class A
EMI standards	EN55011/EN55022, EN61000-6-3
EMC standards	EN61000-6-2, EN/IEC61000-4-4, EN61000-4-5

MECHANICAL

Case	Eurocassette
Dimensions	See drawing examples. Consult sales office for full details
Connectors	15 Pole DIN standard 41612 H15

OPTIONS

- A – Overvoltage protection (OVP)
A built in SCR thyristor short circuits the output when an overvoltage occurs. The trigger voltage is 15% higher than the nominal output voltage.
- B – Undervoltage alarm with relay.
- C – Series diode on output
For parallel redundant applications built in series diodes can be provided. The output power may be derated depending upon the model.
- E2 – Same as E1 but also 2.5kVAC between output/case.
- L – Front panel for euro rack 10, 12, 14 TE
- N – Wall mounting brackets
- H15-S – H15 female screw connector
- H15-T – H15 fast on 6.3mm connector.
- S – Remote sense

PSC AC Series

100 - 240 WATTS AC/DC SINGLE MULTI OUTPUT

Selection Table- Single Outputs

MODEL NUMBER	INPUT	OUTPUT	CASE	OUTPUT POWER
PSC240ACR15	85-135Vac	15V 16A	12TE	240W
PSC240ACR24	85-135Vac	24V 10A	12TE	240W
PSC240ACR48	85-135Vac	48V 5A	12TE	240W
PSC240ACR110	85-135Vac	110V 2.2A	12TE	240W
PSC100AC5	176-264Vac	5V 20A	10TE	100W
PSC150AC5	176-264Vac	5V 30A	12TE	150W
PSC100AC12	176-264Vac	12V 8.3A	10TE	100W
PSC150AC12	176-264Vac	12V 12.5A	12TE	150W
PSC100AC13.2	176-264Vac	13.6V 7.4A	10TE	100W
PSC150AC13.2	176-264Vac	13.6V 11A	12TE	150W
PSC100AC15	176-264Vac	15V 6.7A	10TE	100W
PSC150AC15	176-264Vac	15V 10A	12TE	150W
PSC240AC15	176-264Vac	15V 16A	12TE	240W
PSC100AC24	176-264Vac	24V 4.2A	10TE	100W
PSC150AC24	176-264Vac	24V 6.3A	12TE	150W
PSC240AC24	176-264Vac	24V 10A	12TE	240W

MODEL NUMBER	INPUT	OUTPUT V _{dc}	CASE	OUTPUT POWER
PSC100AC48	176-264Vac	48V 2.1A	10TE	100W
PSC150AC48	176-264Vac	48V 3.1A	12TE	150W
PSC240AC48	176-264Vac	48V 5A	12TE	240W
PSC240AC110	176-264Vac	110V 2.2A	12TE	240W
PSC100ACW5	85-264Vac	5V 20A	10TE	100W
PSC150ACW5	85-264Vac	5V 30A	12TE	150W
PSC100ACW12	85-264Vac	12V 8.3A	10TE	100W
PSC150ACW12	85-264Vac	12V 12.5A	12TE	150W
PSC100ACW13.2	85-264Vac	13.6V 7.4A	10TE	100W
PSC150ACW13.2	85-264Vac	13.6V 11A	12TE	150W
PSC100ACW15	85-264Vac	15V 6.7A	10TE	100W
PSC150ACW15	85-264Vac	15V 10A	12TE	150W
PSC100ACW24	85-264Vac	24V 4.2A	10TE	100W
PSC150ACW24	85-264Vac	24V 6.3A	12TE	150W
PSC100ACW48	85-264Vac	48V 2.1A	10TE	100W
PSC150ACW48	85-264Vac	48V 3.1A	12TE	150W

Selection Table- Dual Outputs

MODEL NUMBER	INPUT	MASTER OUTPUT	AUX OUTPUT	CASE	OUTPUT POWER
PSC100ACR5S12	85-135Vac	5V 17A	12V 1.2A	10TE	100W
PSC150ACR5S12	85-135Vac	5V 25A	12V 1.2A	12TE	150W
PSC100ACR5S15	85-135Vac	5V 17A	15V 1.2A	10TE	100W
PSC150ACR5S15	85-135Vac	5V 25A	15V 1.2A	12TE	150W
PSC100ACR12S5	85-135Vac	12V 7.3A	5V 2.5A ²	10TE	100W
PSC150ACR12S5	85-135Vac	12V 11A	5V 2.5A ²	12TE	150W
PSC100ACR12S12	85-135Vac	12V 7A	12V 1.2A	10TE	100W
PSC150ACR12S12	85-135Vac	12V 11A	12V 1.2A	12TE	150W
PSC100ACR15S12	85-135Vac	15V 5.5A	12V 1.2A	10TE	100W
PSC150ACR15S12	85-135Vac	15V 9A	12V 1.2A	12TE	150W
PSC100ACR24S24	85-135Vac	24V 3A	24V 1.2A	10TE	100W
PSC150ACR24S24	85-135Vac	24V 5A	24V 1.2A	12TE	150W

MODEL NUMBER	INPUT	MASTER OUTPUT	AUX OUTPUT	CASE	OUTPUT POWER
PSC100AC5S12	176-264Vac	5V 17A	12V 1.2A	10TE	100W
PSC150AC5S12	176-264Vac	5V 25A	12V 1.2A	12TE	150W
PSC100AC5S15	176-264Vac	5V 17A	15V 1.2A	10TE	100W
PSC150AC5S15	176-264Vac	5V 25A	15V 1.2A	12TE	150W
PSC100AC12S5	176-264Vac	12V 7.3A	5V 2.5A ²	10TE	100W
PSC150AC12S5	176-264Vac	12V 11A	5V 2.5A ²	12TE	150W
PSC100AC12S12	176-264Vac	12V 7A	12V 1.2A	10TE	100W
PSC150AC12S12	176-264Vac	12V 11A	12V 1.2A	12TE	150W
PSC100AC15S12	176-264Vac	15V 5.5A	12V 1.2A	10TE	100W
PSC150AC15S12	176-264Vac	15V 9A	12V 1.2A	12TE	150W
PSC100AC24S24	176-264Vac	24V 3A	24V 1.2A	10TE	100W
PSC150AC24S24	176-264Vac	24V 5A	24V 1.2A	12TE	150W

Note: 2. Common zero on the output
The secondary output voltages are only factory adjustable.
Operating temperature range -25°C to +55°C. For 70°C derate PSC100 to 75W and PSC150 to 110W.

Selection Table- Triple Outputs

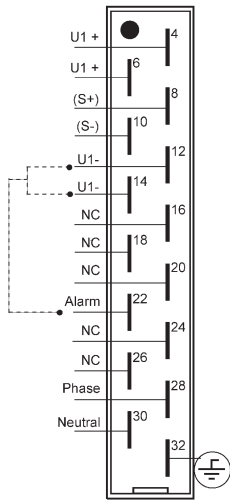
MODEL NUMBER	INPUT	MASTER OUTPUT	AUX OUTPUT	CASE	OUTPUT POWER
PSC100ACR5S12-12	85-135Vac	5V 14A	±12V 1.2A	10TE	100W
PSC150ACR5S12-12	85-135Vac	5V 23A	±12V 1.2A	12TE	150W
PSC100ACR5S15-15	85-135Vac	5V 14A	±15V 1.2A	10TE	100W
PSC150ACR5S15-15	85-135Vac	5V 23A	±15V 1.2A	12TE	150W

MODEL NUMBER	INPUT	MASTER OUTPUT	AUX OUTPUT	CASE	OUTPUT POWER
PSC100AC5S12-12	176-264Vac	5V 14A	±12V 1.2A	10TE	100W
PSC150AC5S12-12	176-264Vac	5V 23A	±12V 1.2A	12TE	150W
PSC100AC5S15-15	176-264Vac	5V 14A	±15V 1.2A	10TE	100W
PSC150AC5S15-15	176-264Vac	5V 23A	±15V 1.2A	12TE	150W

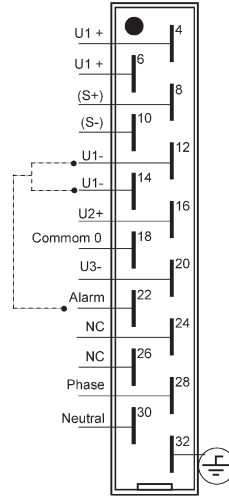
Note: Operating temperature range -25°C to +55°C. For 70°C derate PSC100 to 75W and PSC150 to 110W.
The two secondary output uses common zero for ±12 or ±15V application or to supply 24V and 30V
The secondary voltages are only factory adjustable.

PSC AC Series

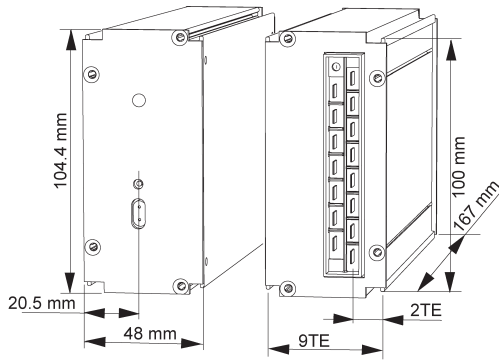
100 - 240 WATTS AC/DC SINGLE MULTI OUTPUT



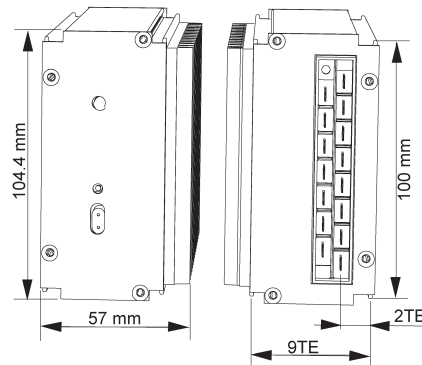
Pin-out, Single output



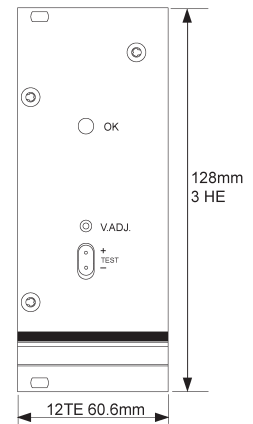
Pin-out, 2 & 3 output



Front & connector side of PSC100



Front & connector side of PSC150



Front Panel 3HE option L