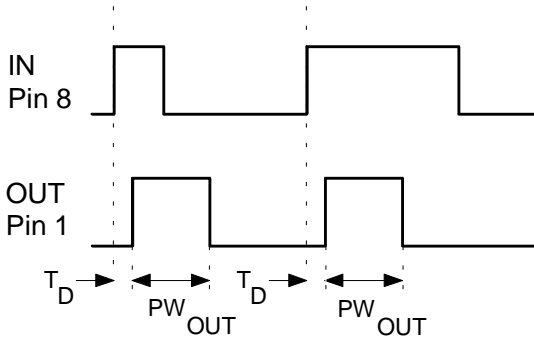


TTLPWG Series FAST / TTL Pulse Width Generator Modules

- 14-Pin Package Commercial and Mil-Grade Versions
- FAST/TTL Logic Buffered
- Precise Pulse Width Output triggered by Rising Edge of Input
- Operating Temperature Ranges 0°C to +70°C, or -55°C to +125°C



General: Triggered by the input's rising edge (input pulse width 10 ns, min.), a pulse of specified width will be generated at the output with a propagation delay of 5 ± 2 ns (7 ± 2 ns, for inverted output). High-to-low transitions will not trigger the unit. Designed for output duty-cycle less than 50%.

TEST CONDITIONS -- FAST / TTL

V_{CC} Supply Voltage 5.00VDC
 Input Pulse Voltage 3.20V
 Input Pulse Rise Time 3.0 ns max.
 Input Pulse Width / Period 250 / 1000 ns

1. Measurements made at 25°C
2. Delay Times measured at 1.50V level of leading edge.
3. Rise Times measured from 0.75V to 2.40V.
4. 10pf probe and fixture load on output under test.

OPERATING SPECIFICATIONS

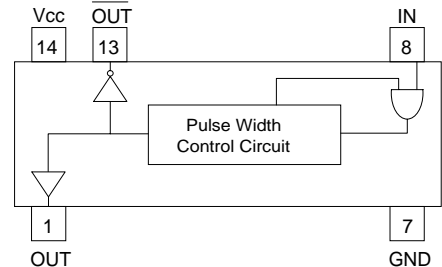
V_{CC} Supply Voltage 5.00 ± 0.25 VDC
 I_{CC} Supply Current 35 mA typ., 55 mA Max.
 Logic "1" Input: V_{IH} 2.00 V min., 5.50 V max.
 I_{IH} 20 μ A max. @ 2.70V
 Logic "0" Input: V_{IL} 0.80 V max.
 I_{IL} -0.6 mA mA
 V_{OH} Logic "1" Voltage Out 2.40 V min.
 V_{OL} Logic "0" Voltage Out 0.50 V max.
 P_{WI} Input Pulse Width 10 ns min.
 Operating Temperature Range 0° to 70°C
 Storage Temperature Range -65° to +150°C

MIL-GRADE: These Military Grade devices use integrated circuits screened to MIL-STD-883B with an operating temperature range of -55 to +125°C. These devices have a package height of .335"

Electrical Specifications at 25°C

FAST / TTL Buffered Pulse Width Generator Modules			
Part Number	Mil-Grade Part Number	Output Pulse Width (ns)	Maximum Freq. (MHz)
TTLPWG-5	TTLPWG-5M	5 ± 1.0	63
TTLPWG-6	TTLPWG-6M	6 ± 1.0	56
TTLPWG-7	TTLPWG-7M	7 ± 1.0	53
TTLPWG-8	TTLPWG-8M	8 ± 1.0	47
TTLPWG-9	TTLPWG-9M	9 ± 1.0	44
TTLPWG-10	TTLPWG-10M	10 ± 1.5	42
TTLPWG-12	TTLPWG-12M	12 ± 1.5	35
TTLPWG-15	TTLPWG-15M	15 ± 2.0	32
TTLPWG-20	TTLPWG-20M	20 ± 2.0	22
TTLPWG-25	TTLPWG-25M	25 ± 2.0	19
TTLPWG-30	TTLPWG-30M	30 ± 2.0	15
TTLPWG-35	TTLPWG-35M	35 ± 2.0	13
TTLPWG-40	TTLPWG-40M	40 ± 2.0	11
TTLPWG-45	TTLPWG-45M	45 ± 2.25	10
TTLPWG-50	TTLPWG-50M	50 ± 2.5	9
TTLPWG-60	TTLPWG-60M	60 ± 3.0	8
TTLPWG-70	TTLPWG-70M	70 ± 3.5	7
TTLPWG-80	TTLPWG-80M	80 ± 4.0	6
TTLPWG-100	DSP-1348M	100 ± 5.0	5

TTLPWG Schematic



Dimensions in Inches (mm)

Commercial Grade 14-Pin Package with Unused Leads Removed per Schematic. (For Mil-Grade TTLPWG-xxxM, Height is 0.335")

