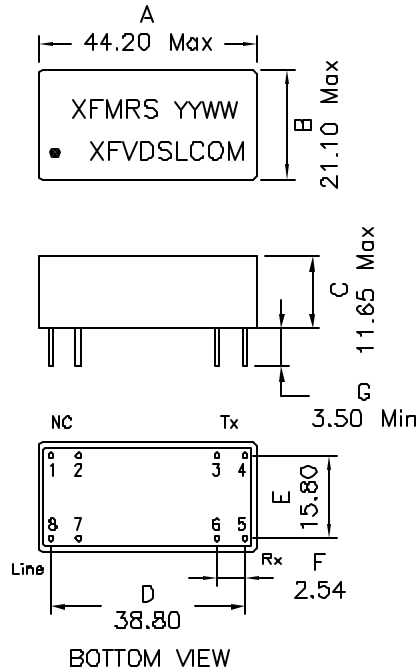


### 1. Dimensions:



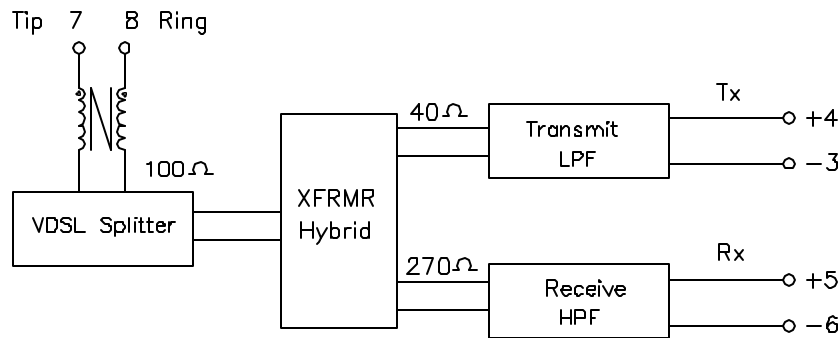
### 3. Electrical Specifications: @25°C

Description	Passband Frequency	Insertion Loss (Max)	Return Loss (Min)	Stopband Frequency	Attn. (Min)	Impedance
VDSL Splitter/Hybrid	900KHz-7.9MHz	15dB TYP	10 dB	20KHz-150KHz	60 dB	100 Ohms
RX HPF	4.0MHz-7.9MHz	4.0 dB MAX	12 dB	900KHz-3.3MHz	50 dB	270 Ohms
TX LPF	900KHz-3.3MHz	4.0dB MAX	10 dB	4.0MHz-7.9MHz	15 dB	40 Ohms

**Notes:**

1. Solderability: Leads shall meet MIL-STD-202, Method 208D for solderability.
2. Flammability: UL94V-0
3. ASTM oxygen Index: > 28%
4. Insulation System: Class F 155°C. UL file E151556
5. Operating Temperature Range: All listed parameters are to be within tolerance from 0°C to +85°C
6. Storage Temperature Range: -55°C to +125°C
7. Aqueous wash compatible

### 2. Schematic:



DOC. REV. A/1

<b>XFMR5 Inc</b>	Title: VDSL FILTER/HYBRID SOLUTION	
	UNLESS OTHERWISE SPECIFIED TOLERANCES: .xx ±0.30 Dimensions in MM	
	P/N: XFVDSLCOM	REV. A
	DWN. 刘鹏	Jan-02-03
CHK. 李小锋	Jan-02-03	
APP. BW	Jan-02-03	