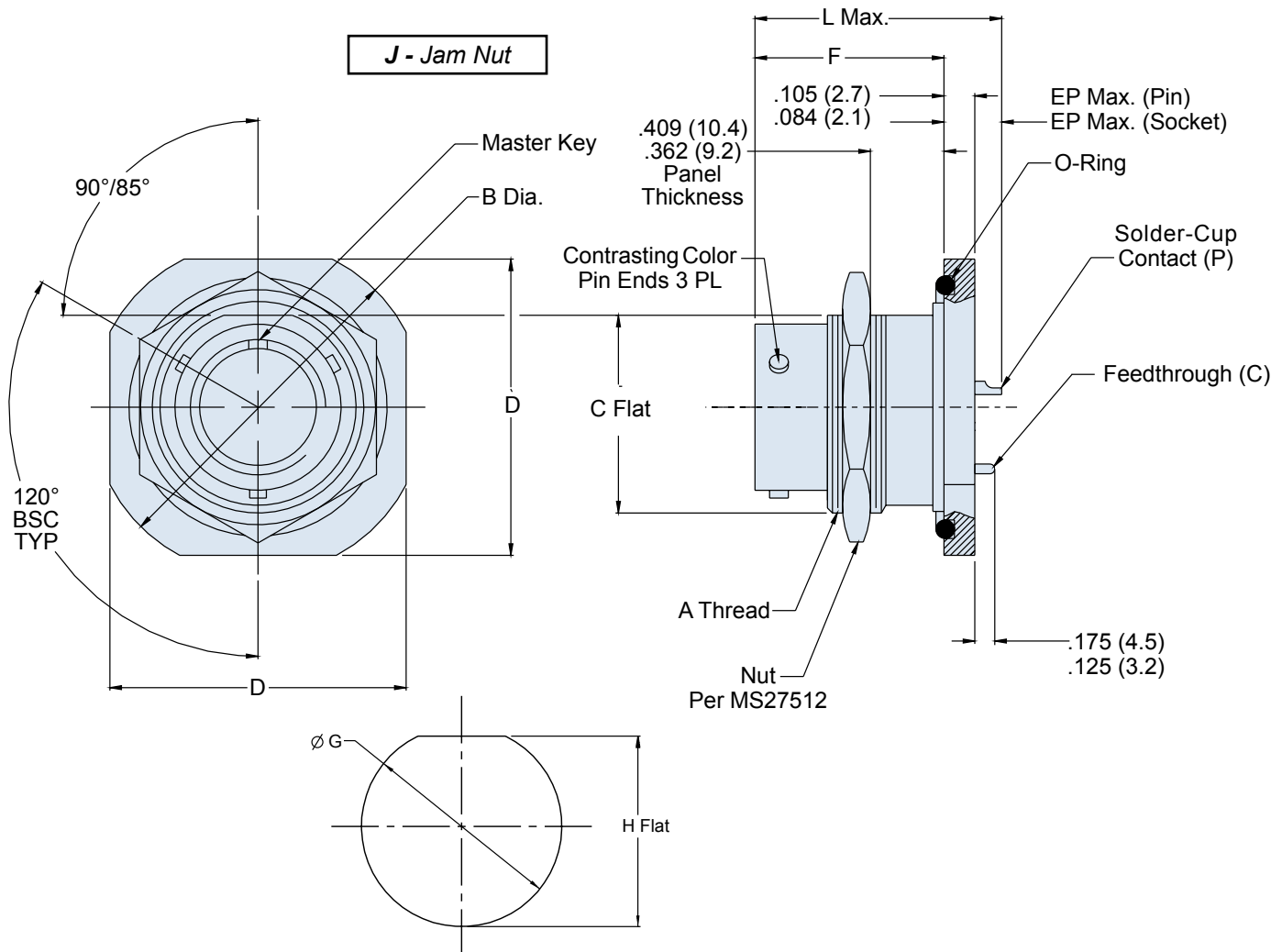
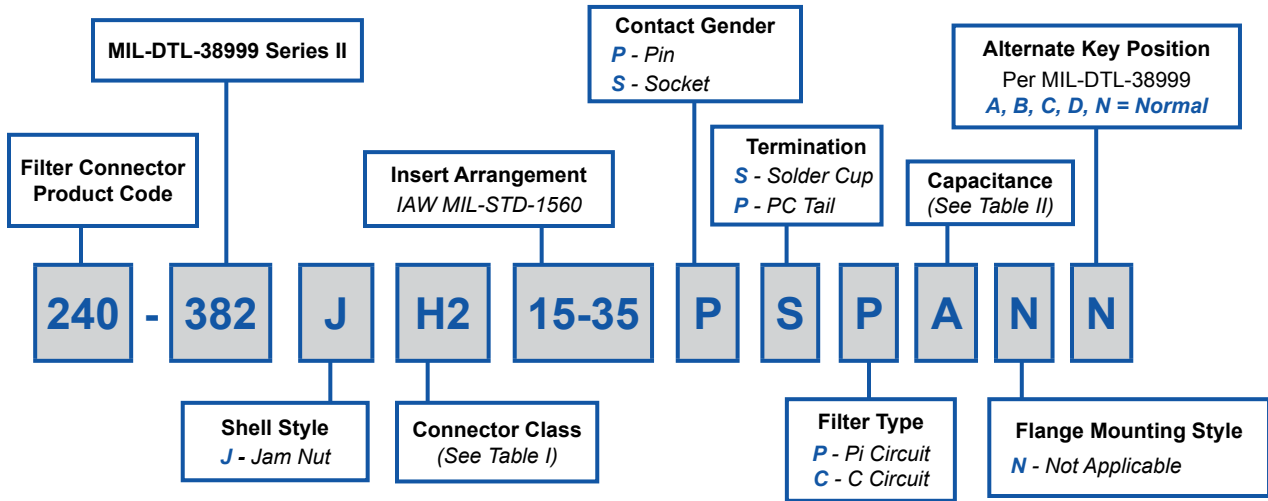




**240-382J (Hermetic Version Shown)
MIL-DTL-38999 Series II Filter Connector
Jam Nut Receptacle**

B



**240-382J (Hermetic Version Shown)
MIL-DTL-38999 Series II Filter Connector
Jam Nut Receptacle**



TABLE I: CONNECTOR CLASS

SYM	CLASS	MATERIAL	FINISH DESCRIPTION
M	Environmental	Aluminum	Electroless Nickel
MT	Environmental	Aluminum	Ni-PTFE 1000 Hour Grey™ Nickel Fluorocarbon Polymer
NF	Environmental	Aluminum	Cadmium O.D. Over Electroless Nickel
P	Environmental	Stainless Steel	Electro-Deposited Nickel
ZN	Environmental	Aluminum	Zinc-Nickel Over Electroless Nickel
H2	Hermetic	Stainless Steel	Electroless Nickel

**PANEL IV: JAM-NUT
PANEL CUT-OUTS**

SHELL SIZE	Ø G	H Flat
08	.894 (22.7)	.833 (21.2)
	.884 (22.5)	.823 (20.9)
10	1.020 (25.9)	.957 (24.3)
	1.010 (25.7)	.947 (24.1)
12	1.144 (29.1)	1.081 (27.5)
	1.134 (28.8)	1.071 (27.2)
14	1.269 (32.2)	1.206 (30.6)
	1.259 (32.0)	1.196 (30.4)
16	1.394 (35.4)	1.336 (33.9)
	1.384 (35.2)	1.326 (33.7)
18	1.520 (38.6)	1.456 (37.0)
	1.510 (38.4)	1.446 (36.7)
20	1.645 (41.8)	1.581 (40.2)
	1.635 (41.5)	1.571 (39.9)
22	1.750 (44.5)	1.706 (43.3)
	1.740 (44.2)	1.696 (43.1)
24	1.895 (48.1)	1.831 (46.5)
	1.885 (47.9)	1.821 (46.3)

**TABLE II: CAPACITOR ARRAY CODE
CAPACITANCE RANGE**

CLASS	PI - CIRCUIT (pF)	C - CIRCUIT (pF)
X*	160,000 - 240,000	80,000 - 120,000
Y*	80,000 - 120,000	40,000 - 60,000
Z*	60,000 - 90,000	30,000 - 45,000
A	38,000 - 56,000	19,000 - 28,000
B	32,000 - 45,000	16,000 - 22,500
C	18,000 - 33,000	9,000 - 16,500
D	8,000 - 12,000	4,000 - 6,000
E	3,300 - 5,000	1,650 - 2,500
F	800 - 1,300	400 - 650
G	400 - 600	200 - 300

Consult Factory for Additional Filter Types, TVS Diodes, and other Custom Filter Connector Configurations.

* Reduced DWV – Please consult factory.

TABLE III

SHELL SIZE	A THREAD .1P-.03L-TS	B DIA.	C FLAT	D A/F	EP MAX.	ES MAX.	F	G DIA.	H	L MAX.
08	.875-20 UNEF	1.391 (35.3)	.818 (20.8)	1.266 (32.2)	.281 (7.1)	.359 (9.1)	.743 (18.9)	.894 (22.7)	.833 (21.2)	1.024 (26.0)
		1.359 (34.5)	.811 (20.6)	1.234 (31.3)	.281 (7.1)	.359 (9.1)	.733 (18.6)	.884 (22.5)	.823 (20.9)	(26.0)
10	.1.000-20 UNEF	1.516 (38.5)	.942 (23.9)	1.391 (35.3)	.281 (7.1)	.359 (9.1)	.743 (18.9)	1.020 (25.9)	.957 (24.3)	1.024 (26.0)
		1.484 (37.7)	.935 (23.7)	1.359 (34.5)	.281 (7.1)	.359 (9.1)	.733 (18.6)	1.010 (25.7)	.947 (24.1)	(26.0)
12	1.125-18 UNEF	1.641 (41.7)	1.066 (27.1)	1.516 (38.5)	.281 (7.1)	.359 (9.1)	.743 (18.9)	1.144 (29.1)	1.081 (27.5)	1.024 (26.0)
		1.609 (40.9)	1.059 (26.9)	1.484 (37.7)	.281 (7.1)	.359 (9.1)	.733 (18.6)	1.134 (28.8)	1.071 (27.2)	(26.0)
14	1.250-18 UNEF	1.766 (44.9)	1.191 (30.3)	1.641 (41.7)	.281 (7.1)	.359 (9.1)	.743 (18.9)	1.269 (32.2)	1.206 (30.6)	1.024 (26.0)
		1.734 (44.0)	1.184 (30.1)	1.609 (40.9)	.281 (7.1)	.359 (9.1)	.733 (18.6)	1.259 (32.0)	1.196 (30.4)	(26.0)
16	1.375-18 UNEF	1.954 (49.6)	1.321 (33.6)	1.797 (45.6)	.281 (7.1)	.359 (9.1)	.743 (18.9)	1.394 (35.4)	1.336 (33.9)	1.024 (26.0)
		1.922 (48.8)	1.314 (33.4)	1.765 (44.8)	.281 (7.1)	.359 (9.1)	.733 (18.6)	1.384 (35.2)	1.326 (33.7)	(26.0)
18	1.500-18 UNEF	2.032 (51.6)	1.441 (36.6)	1.906 (48.4)	.281 (7.1)	.359 (9.1)	.743 (18.9)	1.520 (38.6)	1.456 (37.0)	1.024 (26.0)
		2.000 (50.8)	1.434 (36.4)	1.874 (47.6)	.281 (7.1)	.359 (9.1)	.733 (18.6)	1.510 (38.4)	1.446 (36.7)	(26.0)
20	1.625-18 UNEF	2.157 (54.8)	1.566 (39.8)	2.032 (51.6)	.250 (6.4)	.344 (8.7)	.769 (19.5)	1.645 (41.8)	1.581 (40.2)	1.019 (25.9)
		2.125 (54.0)	1.559 (39.6)	2.000 (50.8)	.250 (6.4)	.344 (8.7)	.759 (19.3)	1.635 (41.5)	1.571 (39.9)	(25.9)
22	1.750-18 UNS	2.281 (57.9)	1.691 (43.0)	2.156 (54.8)	.250 (6.4)	.344 (8.7)	.769 (19.5)	1.750 (44.5)	1.706 (43.3)	1.019 (25.9)
		2.249 (57.1)	1.684 (42.8)	2.124 (53.9)	.250 (6.4)	.344 (8.7)	.759 (19.3)	1.740 (44.2)	1.696 (43.1)	(25.9)
24	1.875-16 UN	2.406 (61.1)	1.816 (46.1)	2.281 (57.9)	.250 (6.4)	.344 (8.7)	.769 (19.5)	1.895 (48.1)	1.831 (46.5)	1.019 (25.9)
		2.374 (60.3)	1.809 (45.9)	2.249 (57.1)	.250 (6.4)	.344 (8.7)	.759 (19.3)	1.885 (47.9)	1.821 (46.3)	(25.9)

*Some dimensions do not apply. Consult factory