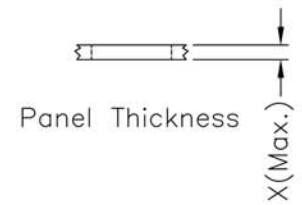
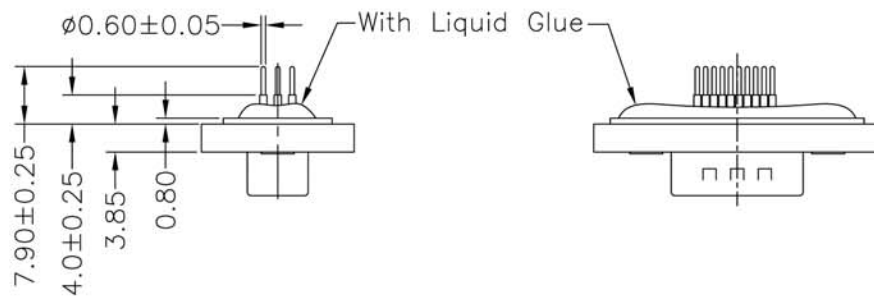
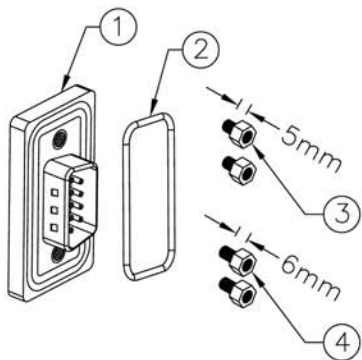
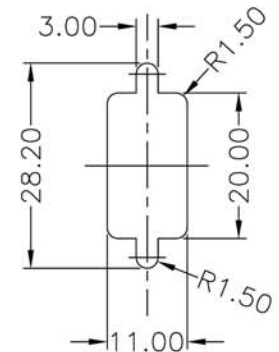
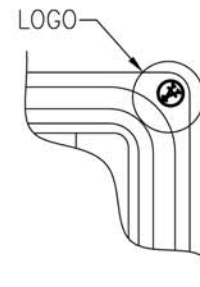
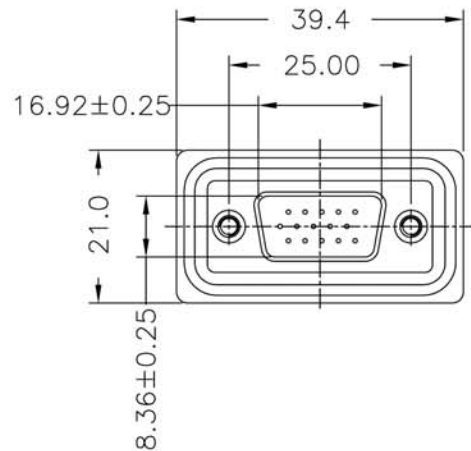


15 Pin Male Connector  
PCB Pin Layout  
Scale 2:1



Screw L=5.0 For Panel Thickness Under 1.2mm

Screw L=6.0 For Panel Thickness Between 1.2~2.0mm



Recommended Panel Cut-Out

Note:

- \* Waterproof Rate : IP67
- \* Connector: Black,Nylon+GF
- \* Pin: Copper Alloy,Gold Plated



ITEM NO  
A-HDS15PP-WP

TITLE  
D-SUB, High Density, Male, 15 pin, 180°

**ASSMANN**  
Electronics, Inc.

1840 W. Drake Drive, Suite 101 - Tempe, AZ 85283  
Toll Free: 1-877-277-6266 Email: info@usa-assmann.com

THIS DRAWING IS UNPUBLISHED  
© Copyright 2008 by Assmann Electronic Components  
All International Rights Reserved