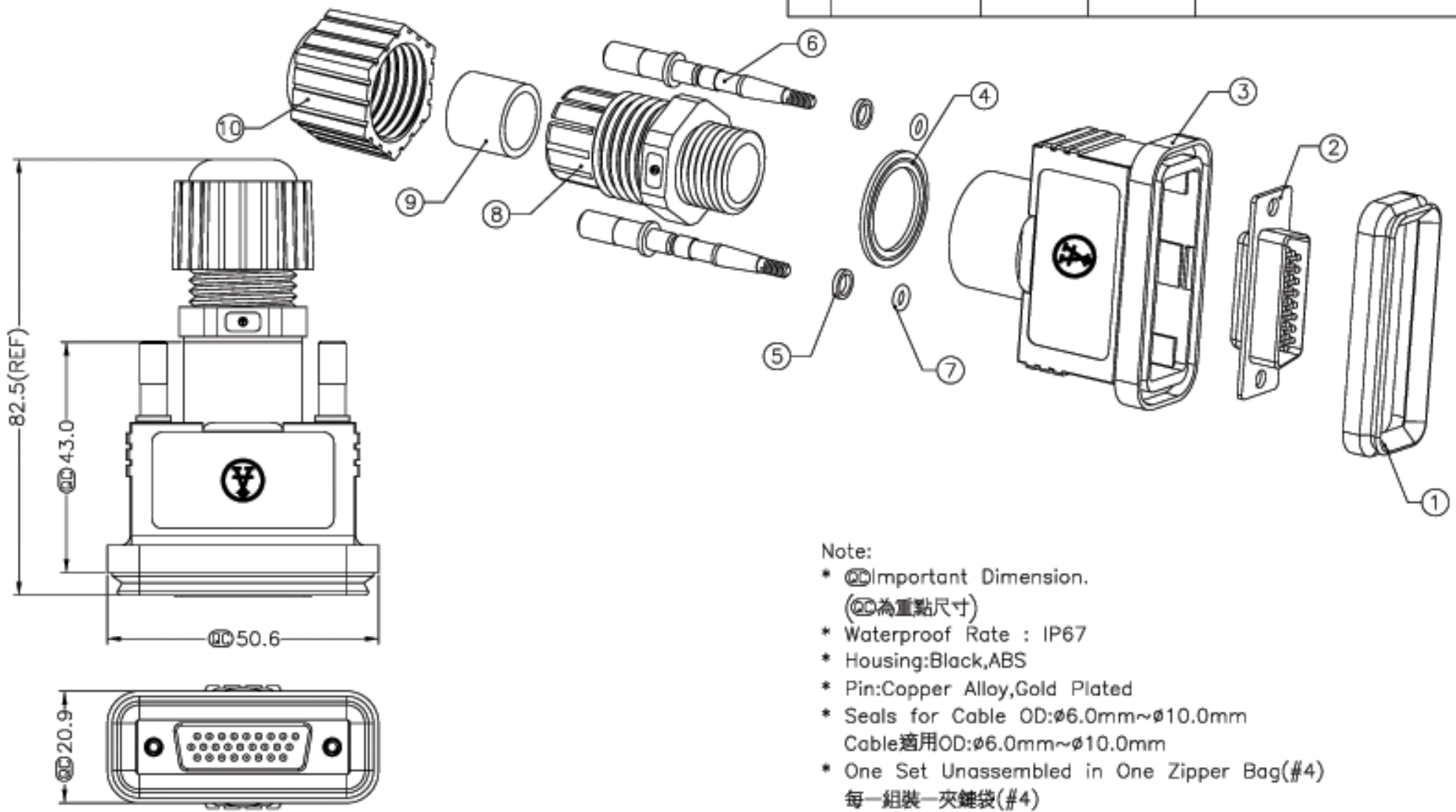


REV.	CON. NO.	DATE	DRW.	DESCRIPTION



- Note:
- * Ⓞ Important Dimension.
(Ⓞ為重點尺寸)
 - * Waterproof Rate : IP67
 - * Housing:Black,ABS
 - * Pin:Copper Alloy,Gold Plated
 - * Seals for Cable OD:⌀6.0mm~⌀10.0mm
Cable適用OD:⌀6.0mm~⌀10.0mm
 - * One Set Unassembled in One Zipper Bag(#4)
每一組裝一夾鏈袋(#4)
 - * 注意LOGO為Ⓜ

UNIT:mm		TITLE D-SUB Conn. Assy Screw HD26P M Conn M Pin
TOLERANCE .X ±0.25 .XX ±0.1 .XXX ±0.05 ANGLES ±1°	SCALE Free	SHEET 1 OF 1
REV. 01	SIZE A4	Ⓞ Inspection Item



ITEM NO A-HDS-26-HOOD-WP-R	DRAWN BY Gao Ling	DATE 2006/05/11
DWG NO A-HDS-26-HOOD-WP-R	CHECKED BY Robert Hsu	DATE 2006/05/30
	APPROVED BY Max	DATE 2006/06/02