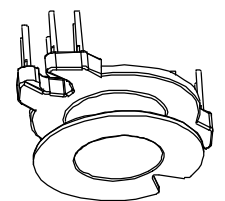
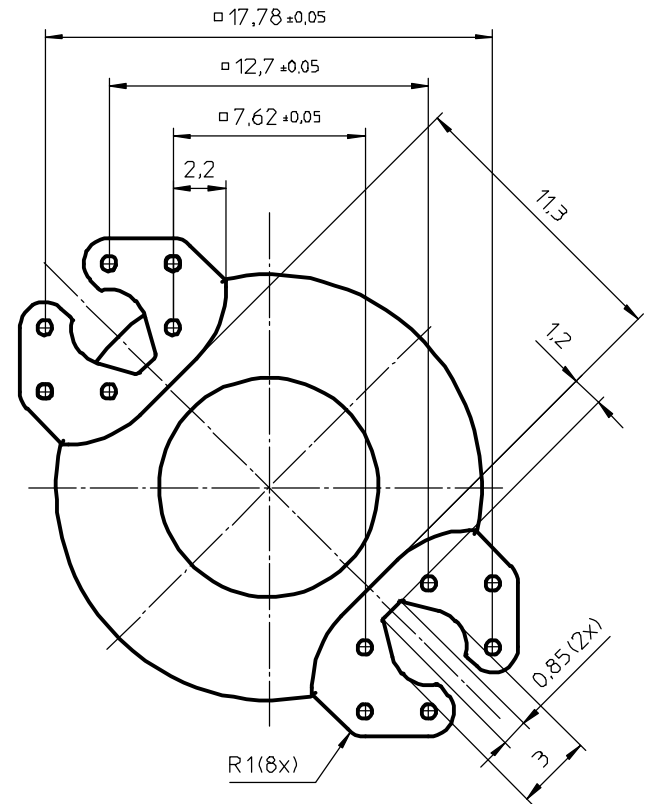
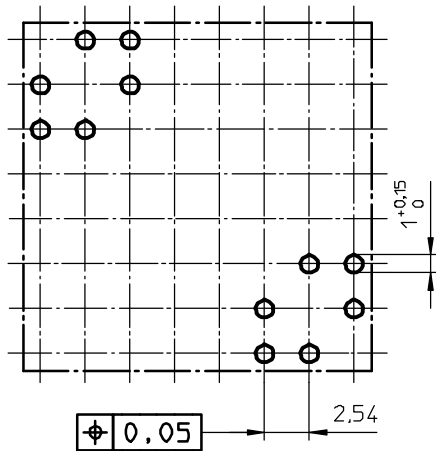


Pull-out force:
min. 9N per pin.



HOLE PATTERN:



- Coil former material: Sumikon PM9630 (PF), glass-reinforced, UL file number: E41429 - UL94V-0
- Pin material: Copper-clad steel, Sn plated,
- Max. operating temp.: acc. to IEC 60 085 class F, 155°C.
- Resistance to soldering heat: acc. to IEC 60 068-2-20 Part 2, Test Tb, method 1B, 350°C - 3,5s.
- Solderability: acc. to IEC 60 068-2-20 Part 2, Test Ta, method 1, 235°C - 2s.
- Min. winding area: 13,3 mm²
- Mean length of turn: 41,8 mm.

CLASS NO.		03-02-20	
NAME		M. Veekens	
CHECK		CONTR.	
DATE		03-02-20	
PROPERTY OF		Eigendom van	
PART NO.		112 - 001	
REV.		069	
DRAWN BY		A3	
PART NO.		CSV-RM8/LP-1S-12P-Z	
SERIAL NO.		4322 021 06121	