



IDC

- Industry compatible
- Competitively priced
- Various plating contacts available
- 2.54mm pitch
- Long or short latch

SHROUDED LATCHED HEADER - SMT 2.54mm



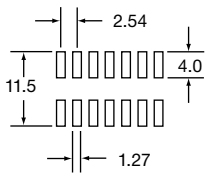
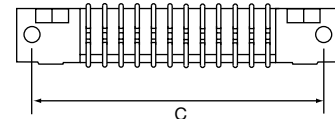
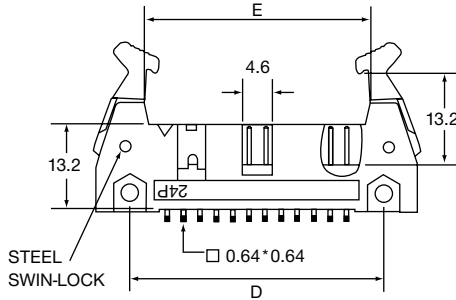
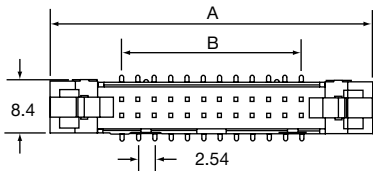
SPECIFICATION

Material & Finish

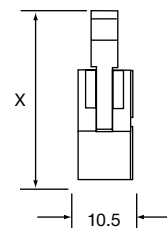
Contact Material:	Phosphor Bronze or Brass
Insulator Material:	Nylon 6T, glass reinforced, rated UL 94V-0
Current Rating:	2 Amp
Contact Resistance:	30M Ω Max
Insulator Resistance:	3000M Ω Min
Dielectric Withstanding Voltage:	500V AC for One Minute
Operating Temperature:	-40°C to + 105°C

Position	A	B	C	D	E
10	32.24	10.16	27.52	21.57	18.25
14	37.32	15.24	32.60	26.65	23.33
16	39.86	17.78	35.14	29.19	25.87
20	44.94	22.86	40.22	34.27	30.95
24	50.02	27.94	45.30	39.35	36.03
26	52.56	30.48	47.84	41.89	38.57
30	57.64	35.56	52.92	46.97	43.65
34	62.72	40.64	58.00	52.05	48.73
40	70.34	48.26	65.62	59.67	56.35
44	75.42	53.34	70.70	64.75	61.43
50	83.04	60.96	78.32	72.37	69.05
60	95.74	73.66	91.02	85.07	81.75
64	100.82	78.74	96.10	90.15	86.83

OUTLINE DRAWING



ACCESSORIES	X	Y
Long Latch	27.8	14.6
Short Latch	26.2	10.6



ORDERING INFORMATION

DBC	IDC	C1D	26	A	G	A	1
Dubilier Connectors	IDC Connector	Series	N° of Ways	Contact Material	Contact Plating	Features	Colour
			10=10way 14=14way 16=16way 20=20way 24=24way 26=26way 30=30way	A=Brass	S=Selective G= Gold Flash *=Other Plating	A=Long Latch B=Short Latch	1=Black
			34=34way 40=40way 44=44way 50=50way 60=60way 64=64way				

SECTION 15