

SMD INDUCTOR DR331-6 SERIES

Features

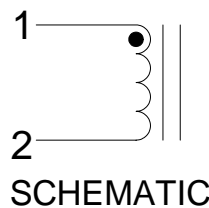
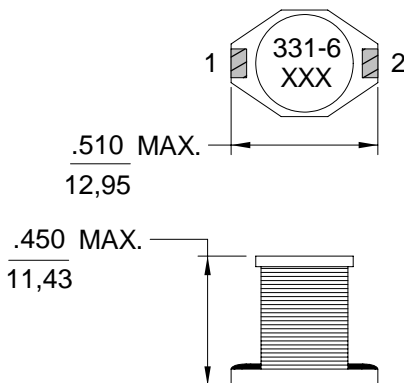
- Surface Mount Design
- Inductance Range from 10 μ H to 1000 μ H
- Operating Temp. -40°C to +85°C
- Tinned Leads with Leaded Solder is Available (note 6)



ELECTRICAL SPECIFICATIONS AT 25°C

Part No.	Inductance (μ H) \pm 20%	DCR (Ω) Max.	I rms (A) Max. (Note 3)	I sat (A) Max. (Note 2)	SRF (MHz) REF.
DR331-6-103	10	0.04	3.5	8.0	22
DR331-6-153	15	0.05	3.0	7.0	18
DR331-6-223	22	0.07	2.5	5.5	11
DR331-6-333	33	0.08	2.0	4.0	9.0
DR331-6-473	47	0.11	1.6	3.8	8.0
DR331-6-683	68	0.17	1.2	3.0	7.0
DR331-6-104	100	0.22	1.2	2.5	5.0
DR331-6-154	150	0.34	0.90	2.0	4.0
DR331-6-224	220	0.44	0.70	1.6	3.5
DR331-6-334	330	0.70	0.60	1.2	2.5
DR331-6-474	470	0.95	0.30	1.0	2.0
DR331-6-684	680	1.2	0.20	1.0	2.0
DR331-6-105	1000	2.0	0.10	0.80	1.5

MECHANICAL SPECIFICATIONS



NOTES:

1. Dimensions are shown in inches/millimeters
Unless otherwise specified, tolerance
= Inches: ± 0.010
= Millimeters: ± 0.30
2. Isat based on the inductance being 90% of its
initial value
3. Irms based on temperature rise of 40°C
4. Tape & Reel Packaging, 250 pcs / reel.
5. Inductance tested at 0.1 Vrms @ 100 kHz
6. For non-RoHS parts replace DR prefix with
42- (e.g. DR331-6 becomes 42-331-6)
7. Terminal finish is compliant to RoHS
requirements. Solder in accordance with J-
STD-020C.

