

SHIELDED SMD INDUCTOR DR350-6 SERIES

Features

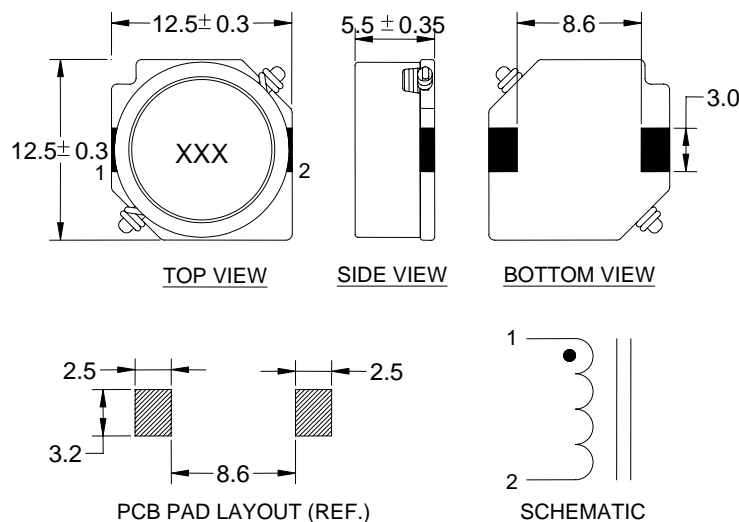
- Low Profile Surface Mount Design
- Flat Top for Pick and Place
- Inductance Range from 6.0 μ H to 1500.0 μ H
- Operating Temp. -40°C to +85°C
- Tinned Leads with Leaded Solder is Available (note 7)



ELECTRICAL SPECIFICATIONS AT 25°C

Part No.	Inductance (μ H)	DCR (m Ω) \pm 20%	I _{rms} (A) Max.	I _{sat} (A) Max.
DR350-6-602	6.0 \pm 30%	16.4	4.9	3.6
DR350-6-103	10.0 \pm 20%	21.5	4.3	3.4
DR350-6-153	15.0 \pm 20%	25.9	3.9	2.8
DR350-6-223	22.0 \pm 20%	33.8	3.4	2.3
DR350-6-333	33.0 \pm 20%	41.5	3.1	1.9
DR350-6-473	47.0 \pm 20%	61.8	2.5	1.6
DR350-6-683	68.0 \pm 20%	83.2	2.2	1.3
DR350-6-104	100.0 \pm 20%	117.0	1.8	1.1
DR350-6-154	150.0 \pm 20%	190.0	1.4	0.88
DR350-6-224	220.0 \pm 20%	270.0	1.2	0.72
DR350-6-334	330.0 \pm 20%	410.0	1.0	0.59
DR350-6-474	470.0 \pm 20%	520.0	0.88	0.49
DR350-6-684	680.0 \pm 20%	760.0	0.73	0.43
DR350-6-105	1000.0 \pm 20%	1120.0	0.60	0.34
DR350-6-155	1500.0 \pm 20%	1730.0	0.48	0.29

MECHANICAL OUTLINES



Notes:

1. All dimensions are shown in millimeter "mm"
2. General tolerance \pm 0.2mm, unless other specified
3. Inductance Test: 1kHz, 0.5Vrms
4. I_{rms} for an approximate 45°C temperature rise
5. I_{sat} for an approximate 20% drop maximum of the nominal value
6. Tape and reel quantity, 500 pcs/reel
7. For non-RoHS parts replace DR prefix with 42- (e.g. DR350-6 becomes 42-350-6)
8. Terminal finish is compliant to RoHS requirements. Solder in accordance with J-STD-020C.