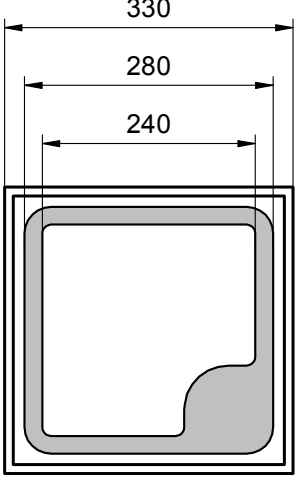


Radiation	Type	Technology	Electrodes
Infrared	DDH	AlGaAs/AlGaAs	N (cathode) up

 <p style="text-align: center;">LED-23</p>	typ. dimensions (μm)
	<p><u>typ. thickness</u> 150 (±25) μm</p> <p><u>cathode</u> gold alloy, 1.5 μm</p> <p><u>anode</u> gold alloy, 0.5 μm dotted, 25% covered</p>

Optical and Electrical Characteristics

$T_{amb} = 25^{\circ}\text{C}$, unless otherwise specified

Parameter	Test conditions	Symbol	Min	Typ	Max	Unit
Forward voltage	$I_F = 20 \text{ mA}$	V_F		1.4	1.6	V
Reverse voltage	$I_R = 100 \text{ μA}$	V_R	5			V
Radiant power ¹	$I_F = 20 \text{ mA}$	Φ_e	3.0	4.0		mW
Radiant power ²	$I_F = 20 \text{ mA}$	Φ_e		8.0		mW
Peak wavelength	$I_F = 20 \text{ mA}$	λ_p	860	875	890	nm
Spectral bandwidth at 50%	$I_F = 20 \text{ mA}$	$\Delta\lambda_{0.5}$		45		nm
Switching time	$I_F = 20 \text{ mA}$	t_r, t_f		25		ns

¹Measured on bare chip on TO-18 header with *EPIGAP* equipment

²Measured on epoxy covered chip on TO-18 header with *EPIGAP* equipment

Labeling

Type	Lot N°	$\Phi_e(\text{typ})$ [mW]	$V_F(\text{typ})$ [V]	Quantity
ELC-870-25-1				

Packing: Chips on adhesive film with wire-bond side on top