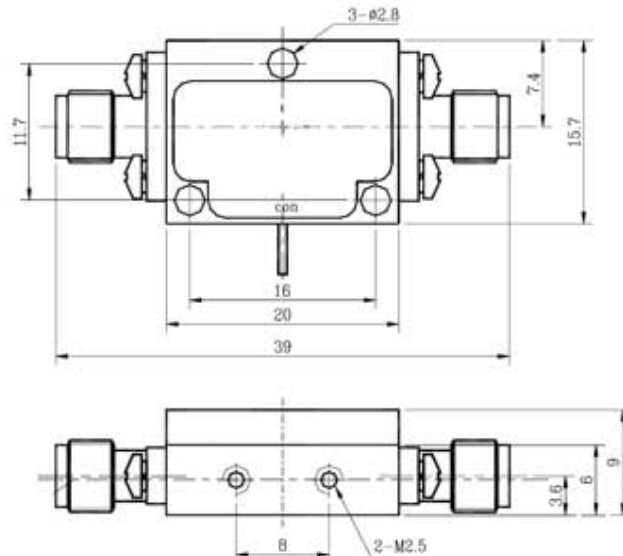


Electrically Tuned Attenuator

P/N: JXWBSJ-T-4000-8000-50D

Frequency Range(GHz)	4-8
Insertion Loss(dB)	2.5 max
Input/Output VSWR	2:1 max(Attenuation:0-40dB) 2.2:1 max(Attenuation:40-50dB)
Attenuation(dB)	50 min
Attenuation Flatness (dB)	±0.6 max(Attenuation<10dB) ±1.5 max(Attenuation:10-20dB) ±2.3 max(Attenuation:20-30dB) ±2.8 max(Attenuation:30-40dB) ±3.5 max(Attenuation:40-50dB)
Control Current(mA)	0-40
Input Power(W)	1 CW
Connector	SMA-Female(Customization is available)
Operating Temperature(°C)	-55 ~ +80
Storage Temperature(°C)	-65 ~ +120
Case	20 x 15.7 x 9

Outline Drawing (Size: mm)



Data subject is to change without notice. For current data sheets, please contact: sales@aacix.com