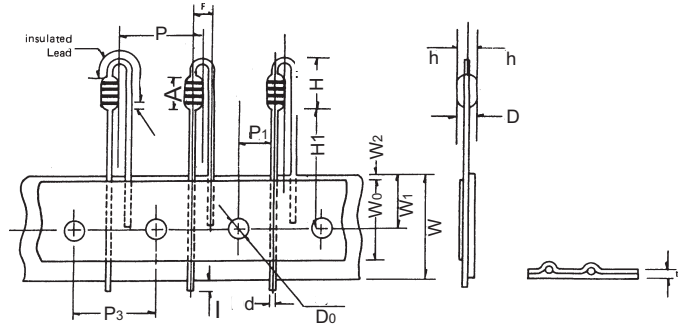


**TAPE, AVISERT SPECIFICATIONS (CODE AV3 IN PART NUMBER)**

Items	Symbol	Dimension in mm
Body Diameter	D	1.8±0.3
Body Length	A	3.8±0.3
Body Bottom to Bend Height	H	7 max
Lead-Wire diameter	d	0.45
Pitch of component	P	12.7±1
Feed hole pitch	P <sub>0</sub>	12.7±0.3
Hole center to lead	P <sub>1</sub>	5.7±0.5
Lead to lead spacing	F	2.5±1
Component alignment	h	0±2
Tape Width	W	18+1
Hold Down Tape Width	W <sub>0</sub>	12.5 min
Hole Position	W <sub>1</sub>	9±0.5
Hold Down Tape Position	W <sub>2</sub>	3 max.
Lead Wire Clinch Height	H <sub>0</sub>	16.5 max
Lead Wire Protrusion	l	1.0 max.
Feed Hole Diameter	D <sub>0</sub>	4±0.3
Total Tape Thickness	t	0.5±0.2

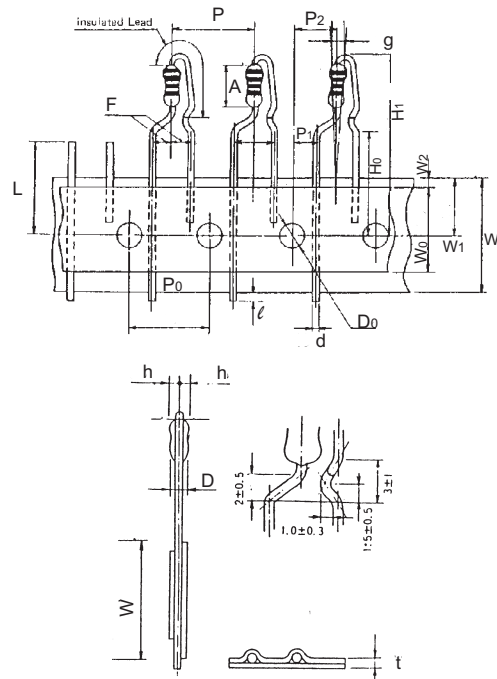


\* Avisert is available in ammo pack only

**PART NUMBER EXAMPLE**  
**MR 25 M AV3 - 10K - F**

**TAPE, PANASERT SPECIFICATIONS (CODE PA IN PART NUMBER)**

Items	Symbol	Dimension in mm
Body Diameter	D	1.3 to 4.5
Body Length	A	10 max
Hole Center to Seating Plane	L	11 max
Lead Wire Diameter	d	0.45 to 0.85
Pitch of Component	P	12.7±1
Feed Hole Pitch	P <sub>0</sub>	12.7±0.3
Hole Center to Lead	P <sub>1</sub>	3.85±0.7
Body Pitch	P <sub>2</sub>	6.35±1.0
Lead to Lead Spacing	F	5.0±0.8
Component Alignment	Δh	0±2
Tape Width	W	18 +1.0 -0.5
Hold Down Tape Width	W <sub>0</sub>	12.5 min
Hole Position	W <sub>1</sub>	9±0.5
Hold Down Tape Position	W <sub>2</sub>	1.5 max
Lead Wire Clinch Height	H <sub>0</sub>	16±0.5
Height from Feedhole	H <sub>1</sub>	32 max
Lead Wire Protrusion	ℓ	1 max
Feed Hole Diameter	D <sub>0</sub>	4±0.2
Total Tape Thickness	t	0.5±0.2



\* Panasert is available in ammo pack only.  
\* Lead is not insulated on 1 Watt parts.

**PART NUMBER EXAMPLE**  
**MR 25 M PA - 10K - F**