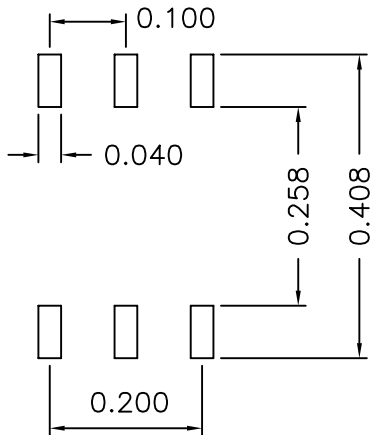
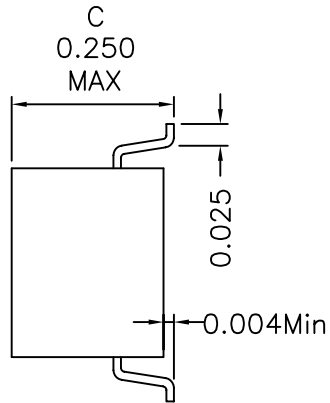
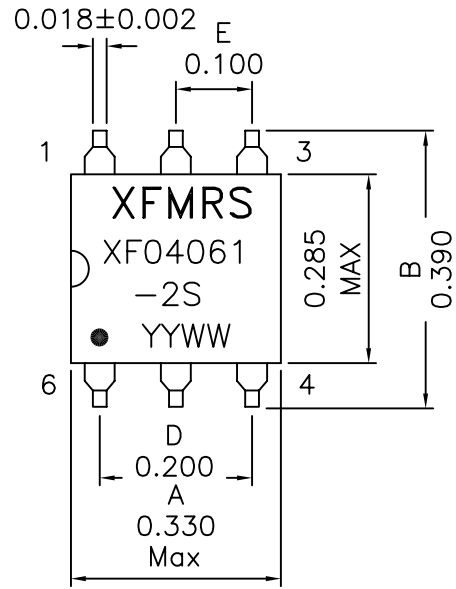
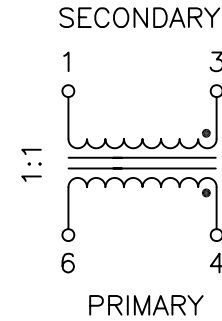


1. Mechanical Dimensions:



SUGGESTED PCB LAYOUT

2. Schematic:



3. Electrical Specifications: @25°C

OCL: Pins 4-6 40uH Min @100KHz 50mV

PRI LL: 0.1uH Max @100KHz 50mV, Short SEC

URNS RATIO: Pins (4-6):(3-1)=1:1±2%

ISOLATION: 1500Vac, Wdg to Wdg

Notes:

1. Solderability: Leads shall meet MIL-STD-202, Method 208D for solderability.
2. Flammability: UL94V-0
3. ASTM oxygen index: > 28%
4. Temperature rating: 155°C. UL file E151556
5. Operating Temperature Range: -45°C to +85°C

XFMRS Inc	Title: T3/DS3/E3/STS-1 TRANSFORMERS	
	UNLESS OTHERWISE SPECIFIED TOLERANCES: .xxx ±0.010 Dimensions in INCH	P/N: XF04061-2S REV A
	DWN.	罗振江 May-16-03
	CHK.	廖玉坤 May-16-03
	APP.	Isaiah M May-16-03

DOC REV: A/5