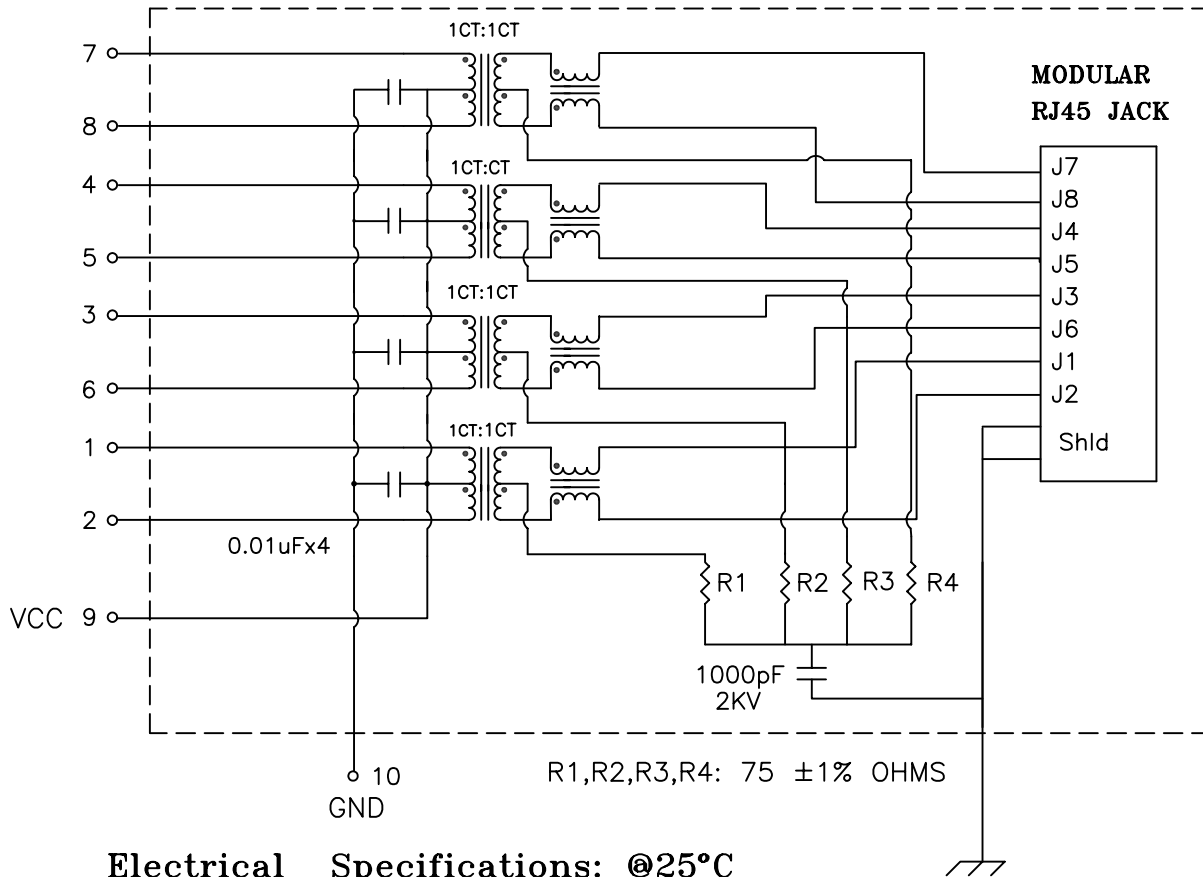


# Schematic: (SINGLE PORT)



## Electrical Specifications: @25°C

ISOLATION: 1500 Vrms  
 TURNS RATIO: (PRI/SEC) 1CT:1CT ±2%  
 OCL: 350uH MIN @100KHz 100mV 8mADC  
 Rise Time: 1.75ns Max.  
 INSERTION LOSS: -1.0dB MAX @1MHz-100MHz  
 -1.5dB MAX @100-125MHz  
 RETURN LOSS: -18dB Min @1-30MHz  
 -15dB Min @40MHz -13.1dB Min @50MHz  
 -12dB Min @60-80MHz -10dB Min @100MHz  
 Differential to Common Mode Rejection:  
 -43dB Min @30MHz -37dB Min @80MHz  
 -33dB Min @100MHz  
 CMRR: -30dB Min @1-100MHz  
 Crosstalk: -45dB Min @30MHz  
 -40dB Min @60MHz -35dB Min @100MHz

### Notes:

1. Solderability: Leads shall meet MIL-STD-202, Method 208D for solderability.
2. Flammability: UL94V-0
3. ASTM oxygen index: > 28%
4. Temperature rating: 155°C. UL file E151556,
5. Operating Temperature Range: -40°C to +85°C

DOC REV: A/1

**XFMRs Inc.**

Title: GIGABIT COMBO

UNLESS OTHERWISE SPECIFIED  
 TOLERANCES:  
 .xxx ±0.010

P/N: XFGIG8B-CT1-4M

REV. A

Dimensions in Inch

DWN.

李小锋

Jan-23-04

CHK.

廖玉坤

Jan-23-04

SHEET 1 OF 2

APP.

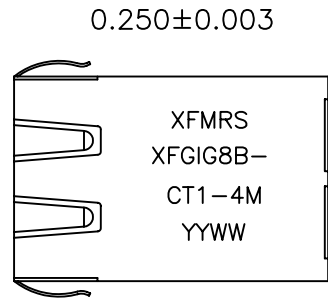
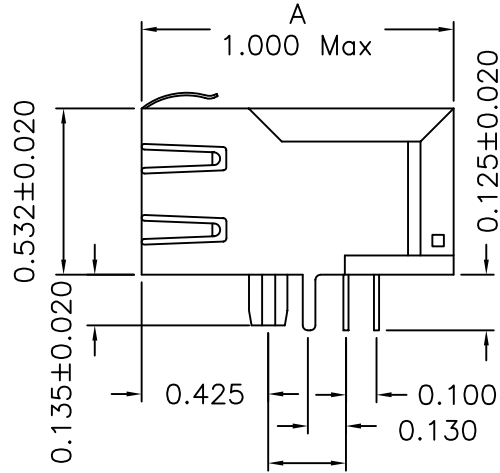
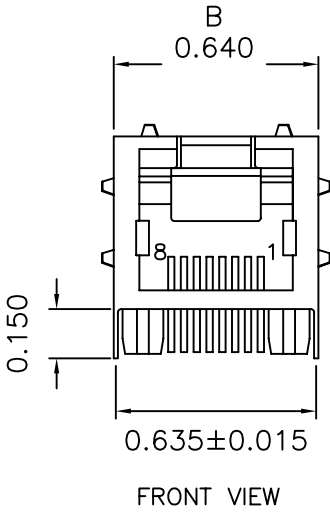
BW

Jan-23-04

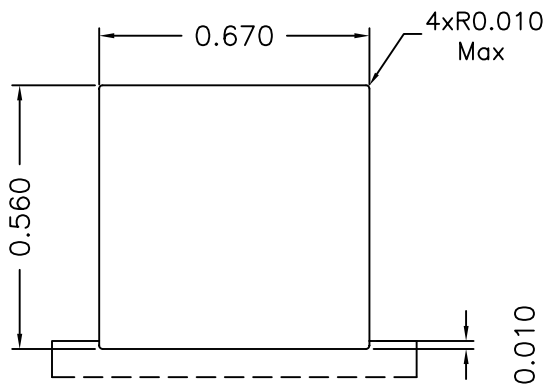
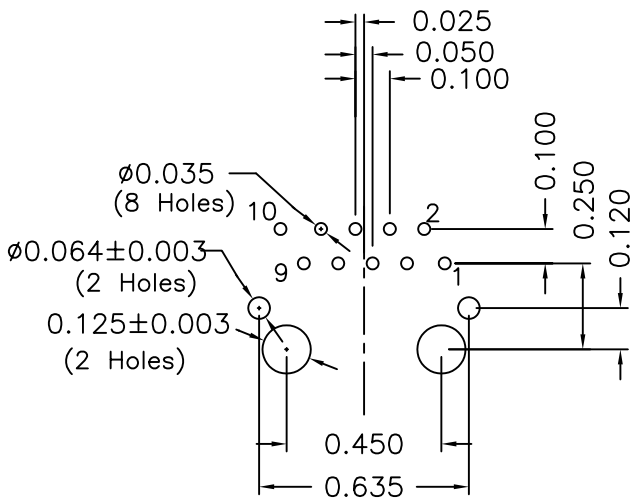
**PROPRIETARY**

Document is the property of XFMRs Group & is not allowed to be duplicated without authorization.

**Mechanical Dimensions:**



**Mounting Pattern:**



**RECOMMENDED PANEL CUTOUT**

DOC REV: A/1

**PROPRIETARY**

Document is the property of XFMRS Group & is not allowed to be duplicated without authorization.

<b>XFMRS Inc.</b>		Title: Mechanical Dimensions For TAB UB RJ45 COMBO	
UNLESS OTHERWISE SPECIFIED TOLERANCES: .xxx ±0.010 Dimensions in Inch	P/N: XFGIG8B-CT1-4M	REV. A	
	DWN.	罗振江	Jan-23-04
	CHK.	廖玉坤	Jan-23-04
SHEET 2 OF 2	APP.	BW	Jan-23-04