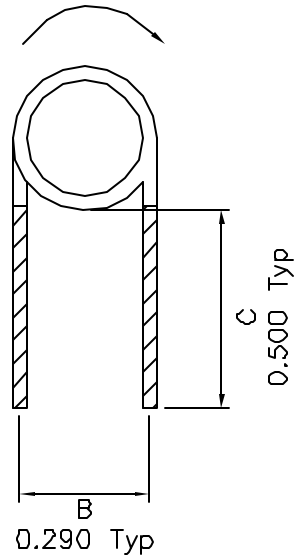
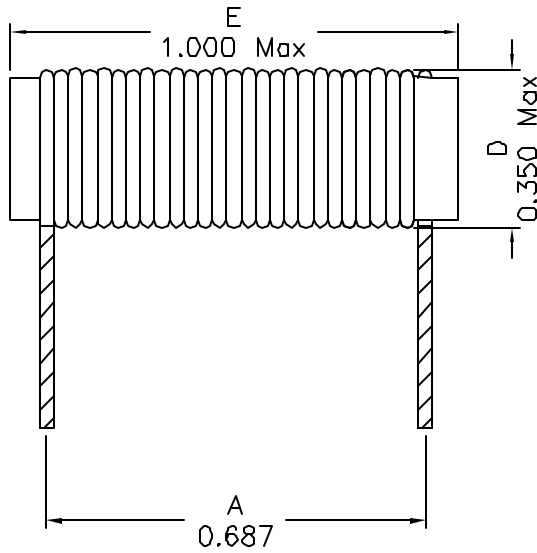
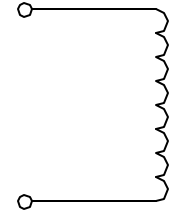


1. Mechanical Dimensions:



2. Schematic:



3. Electrical Specifications: @25°C

OCL: 8.00uH±15% @1KHz, 0.1V

DCR: 18.00 mOhms Max

Q: tbd Min @1KHz, 0.1V

Notes:

1. Solderability: Leads shall meet MIL-STD-202, Method 208D for solderability.
2. Flammability: UL94V-0
3. ASTM oxygen Index: > 28%
4. Insulation System: Class F 155°C. UL file E151556
5. Operating Temperature Range: All listed parameters are to be within tolerance from -40°C to +85°C
6. Storage Temperature Range: -55°C to +125°C
7. Aqueous wash compatible
8. SMD Lead Coplanarity: ±0.004"(0.102mm)
9. Moisture Sensitivity: Level 2

XFMRs Inc	Title: INDUCTOR		
UNLESS OTHERWISE SPECIFIED TOLERANCES: ±0.01 Dimensions in INCH	P/N:	XFRL1281-8ROL	REV. A
	DWN.	罗振江	Sep-27-04
	CHK.	廖玉坤	Sep-27-04
SHEET 1 OF 1	APP.	J Ng	Sep-27-04

DOC REV: A/1