

# POWER BASE DIP TYPE

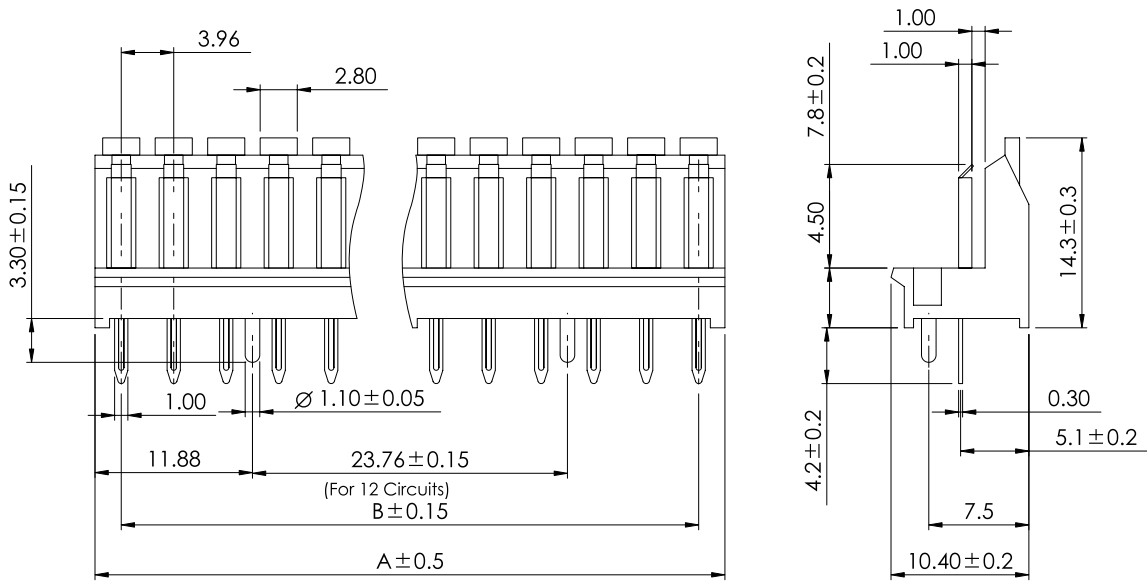


## 080502MS Series

### Specifications:

- **Insulator Material** : White High Temp. Plastic
- **Operating Type Range** : -40°C To +105°C
- **Terminal Material** : Brass 65/35
- **Platings** : Tin Plated
- **Max. Current Rating** : 1.5A
- **Max. Voltage Rating** : 250V AC
- **Dielectric Strength** : 500V AC For 60 Seconds

2.54 mm

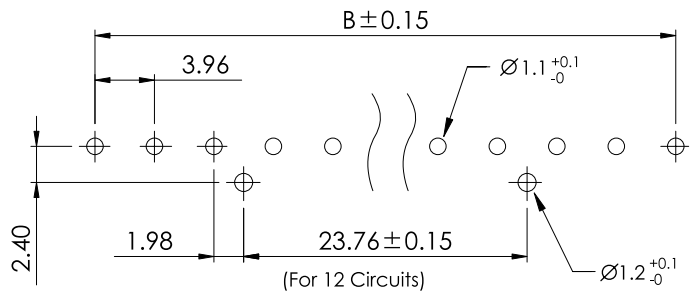


## Order Information

080502MS□□□TI00NU  
 1 2 3 4 5

1. 'S' : Straight DIP Type
  2. No. of Pins 'TI' : Indicate Tin Plated
  3. Plating
  4. Color 'N' : White
  5. Package  
 'U' : Tube Package Without CAP
- Reference Page 11

## Recommended P.C.B. Layout



## Dimension Information

SUYIN P/NO.	DIM.A	DIM.B
080502MS006TI00NU	23.76	19.80
080502MS012TI00NU	47.52	43.56