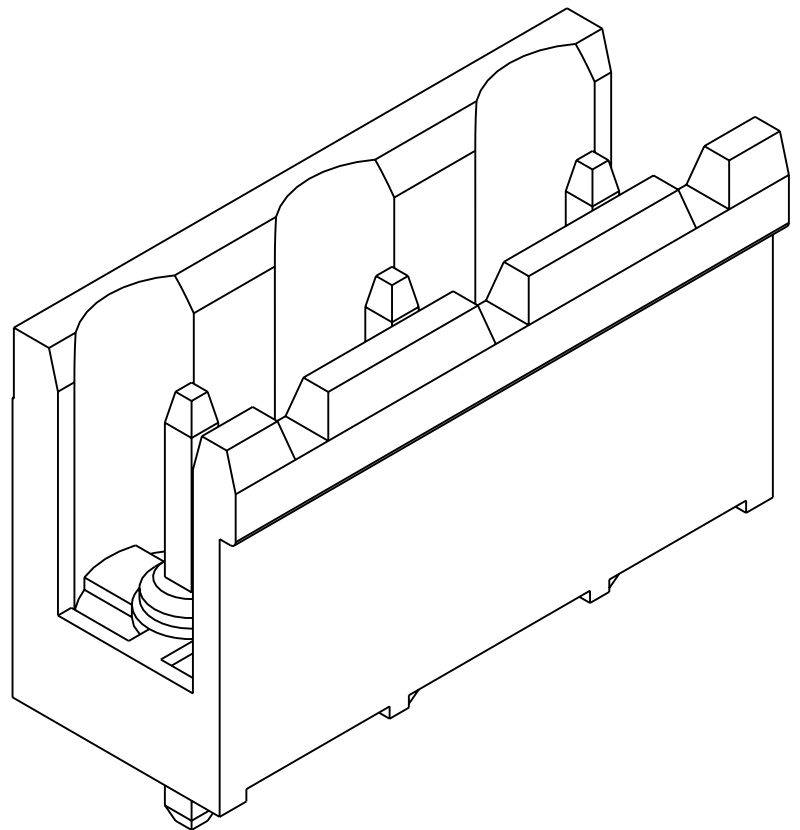
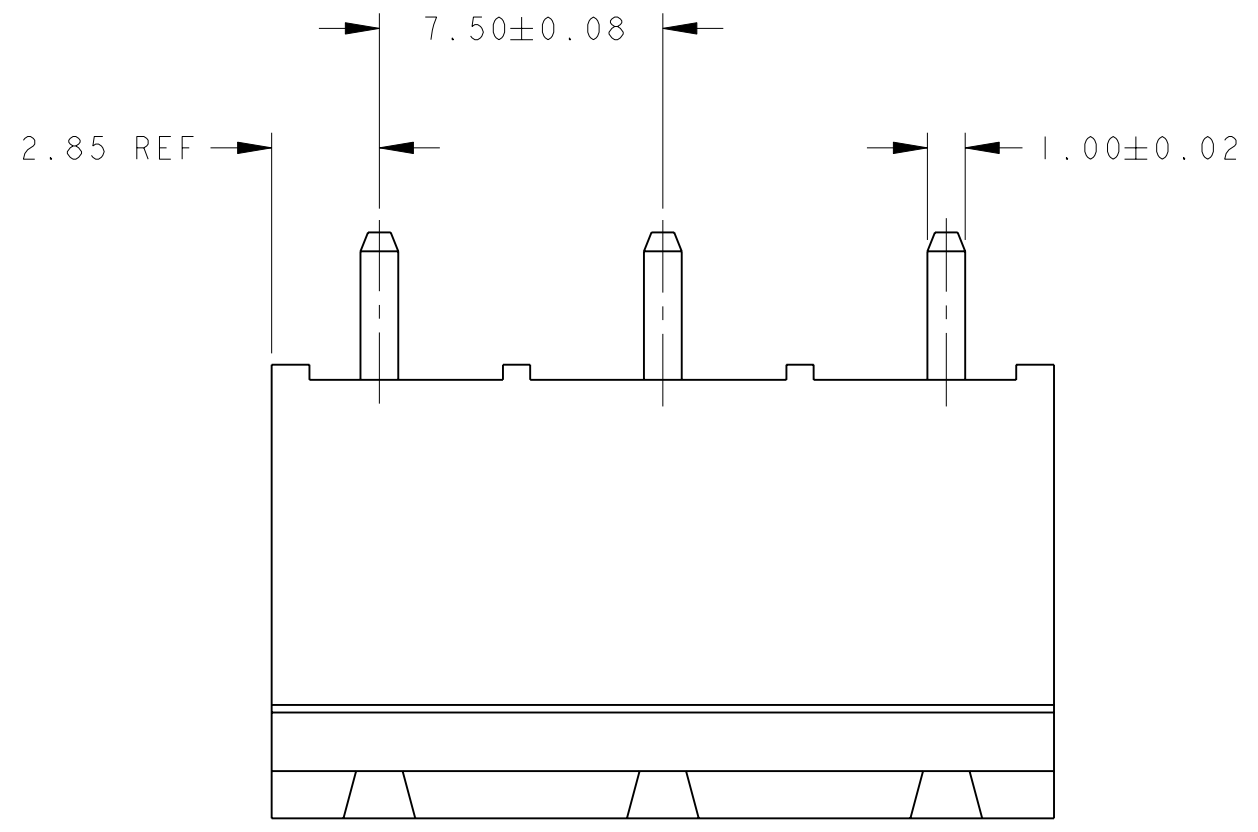


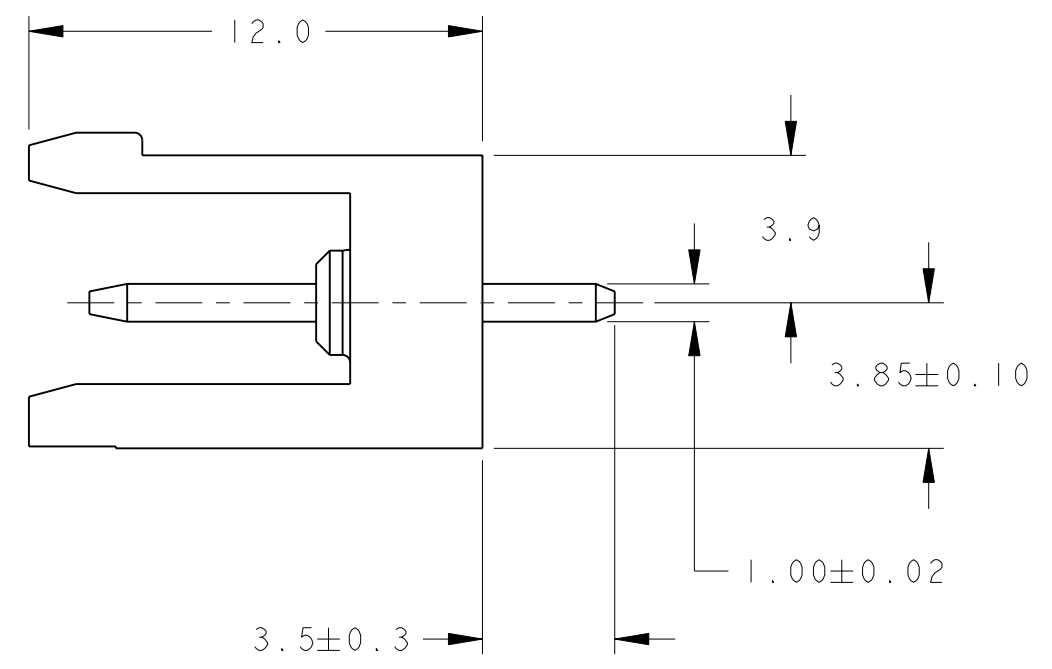
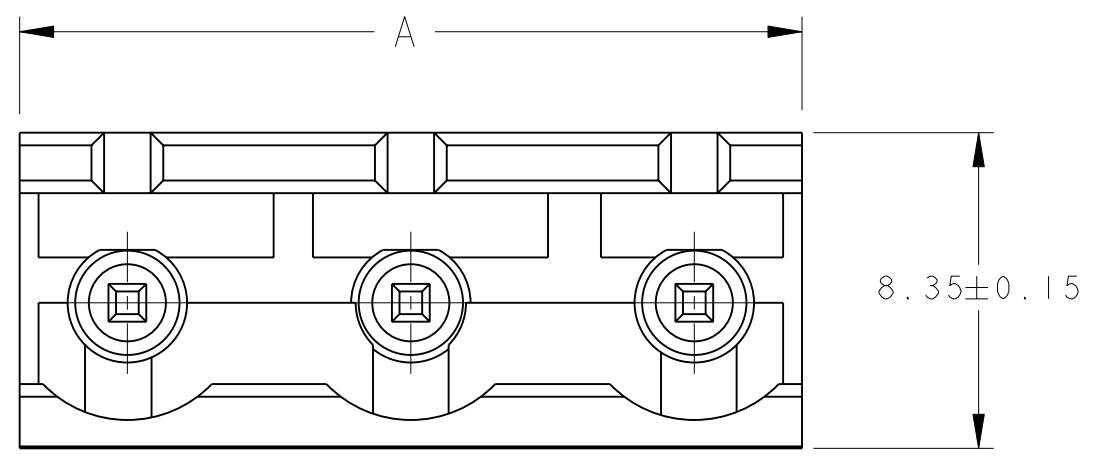
THIS DRAWING IS UNPUBLISHED. RELEASED FOR PUBLICATION 20  
 © COPYRIGHT 20 BY TYCO ELECTRONICS CORPORATION. ALL RIGHTS RESERVED.

LOC		DIST		REVISIONS			
P	LTR	DESCRIPTION	DATE	DWN	APVD		
	0	RELEASED EC 0G3B-0612-04	26JUL2005	SW	CR		



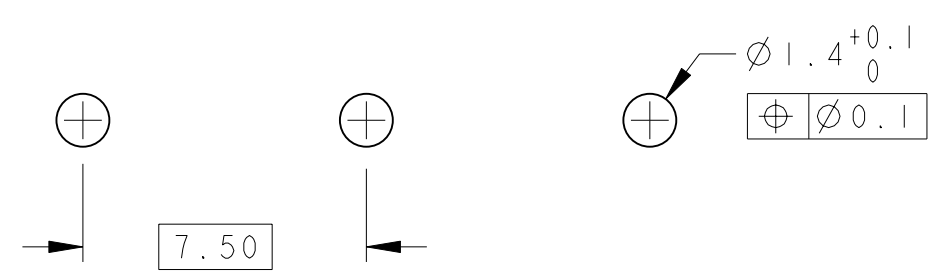
- 1. MATERIALS AND FINISH  
 HOUSING: HIGH TEMPERATURE POLYAMIDE, UL 94V-0 RATED,  
 COLOR: BLACK.  
 TERMINAL: PHOSPHOR BRONZE, TIN PLATED.
- 2. SUITABLE FOR 1,6-2,4mm PC BOARD THICKNESS.
- 3. RECOGNIZED UNDER THE COMPONENT PROGRAM OF UNDERWRITERS LABORATORIES INC., FILE N° E60677.
- 4. IMQ CERTIFICATE WITH SURVEILLANCE IN CONFORMITY WITH IEC 998-1/998-2-1.

1776149-3 AS SHOWN



88.20	12	1-1776149-2
80.70	11	1-1776149-1
73.20	10	1-1776149-0
65.70	9	1776149-9
58.20	8	1776149-8
50.70	7	1776149-7
43.20	6	1776149-6
35.70	5	1776149-5
28.20	4	1776149-4
21.70	3	1776149-3
13.20	2	1776149-2
A	NO OF POSN	PART NUMBER

A



RECOMMENDED PC BOARD LAYOUT

<small>THIS DRAWING IS A CONTROLLED DOCUMENT FOR TYCO ELECTRONICS CORPORATION. IT IS SUBJECT TO CHANGE AND THE CONTROLLING ENGINEERING ORGANIZATION SHOULD BE CONTACTED FOR THE LATEST REVISION.</small>		DWN S. WELDON 26JUL2005 CHK C. RICHARD 26JUL2005 APVD C. RICHARD 26JUL2005	<b>BUCHANAN</b> Tyco Electronics Harrisburg, PA 17105-3608
DIMENSIONS: mm	TOLERANCES UNLESS OTHERWISE SPECIFIED: 0 PLC ±.3 1 PLC ±.3 2 PLC ±.25 3 PLC ±. 4 PLC ±. ANGLES ±2	PRODUCT SPEC 108-20166 APPLICATION SPEC 114-20079	NAME TERMINAL BLOCK HEADER ASSEMBLY, 180 DEGREE, OPEN ENDS, 7.50mm PITCH
MATERIAL	FINISH	WEIGHT	SIZE A200779 CAGE CODE C=1776149 DRAWING NO. RESTRICTED TO
CUSTOMER DRAWING		SCALE 5:1	SHEET 1 OF 1 REV 0