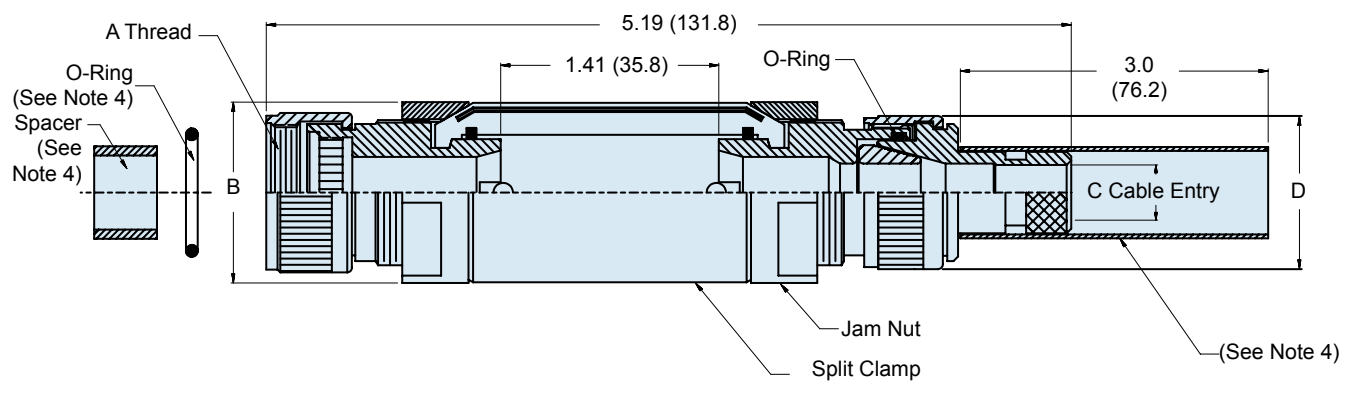
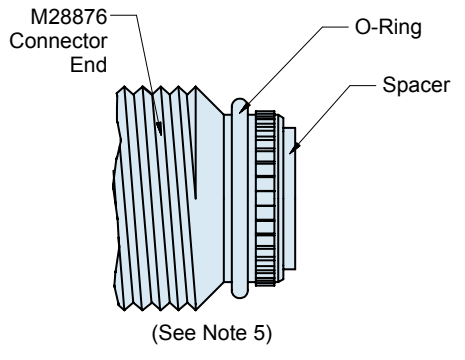
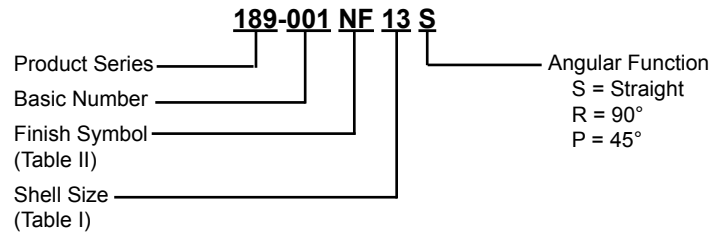




189-001
Fiber Optic Backshell With Split Clamp
MIL-PRF-28876 Environmental



- APPLICATION NOTES**
1. Assembly identified with manufacturer's name and P/N, space permitting.
 2. Glenair 600 series Backshell assembly tools are recommended for assembly and installation; assembly procedure see GAP014.
 3. Material/ Finish:
 Adapters, Jam Nut, Ferrule, Coupling Nut, Split Elbows & Spacer- Al Alloy/ See Table I.
 O-Rings- Floursilicone/ N.A.
 Shrink Sleeving- Polyolefin/ N.A.
 Spacer- Al Alloy/ See Table I.
 4. MIL-I-23053/4 Shrink Sleeving, O-Ring and Spacer to be packaged loose in a plastic bag.
 5. Assemble O-Rings and Spacer onto connector as shown.
 6. Metric dimensions (mm) are indicated in parentheses.

189-001
Fiber Optic Backshell With Split Clamp
MIL-PRF-28876 Environmental



TABLE I: SHELL SIZE

| Shell Size | A Thread | B Max | C Max | D Max |
|------------|-----------------|--------------|-------------|--------------|
| 11 | .750 - 20 UNEF | 1.166 (29.6) | .335 (8.5) | 1.004 (25.5) |
| 13 | .875 - 20 UNEF | 1.166 (29.6) | .335 (8.5) | 1.004 (25.5) |
| 15 | 1.000 - 20 UNEF | 1.418 (36.0) | .455 (11.6) | 1.132 (28.8) |

TABLE II: FINISH

| SYM | MATERIAL | FINISH |
|-----------|----------|---|
| NF | Aluminum | Cadmium/Olive Drab over Electroless Nickel (500 Hr. Salt Spray) |
| B | Aluminum | Cadmium Plate/Olive Drab |
| M | Aluminum | Electroless Nickel |
| N | Aluminum | Cadmium Plate/Olive Drab over Nickel |