

Prosafe Trapped Key Interlock Switches

Switchgear Adaptors



Description

The switch gear adaptor is used to interlock preparatory switch gear applications or other host equipment such as spool valves. Power is isolated and locked off when the key is rotated and removed. The key can then be used in the next sequence of operation.

Features

- Virtually maintenance free

Specifications

Standards	EN292-1&2, EN1088, ISO12100-1&2, ISO14119, AS4024.1
Category	Cat. 1 per EN 954-1
Approvals	BG and CE marked for all applicable directives
Operating Temperature	-10°C to +50°C (14°F to +122°F)
Mechanical Operations	>100,000
Max. Shear Force to Key	15.1kN (3398lbs)
Max. Torque to Key	14Nm (124lb-in)
Humidity	95% RH
Weight	0.30kg (0.66lbs)
Material	316L Stainless steel
Mounting	2 x M4
Shaft Dimensions	3/8sq in x 7/8in long (standard) 9/16in dia. x 7/8in long (optional— contact factory)

The Prosafe Advantage



Product Selection (3/8 sq shaft)

Mounting Type	Trap Direction	Catalogue Number
45°	65° CW to Trap	440T-MSGAU10ⓐ
	65° CCW to Trap	440T-MSGAU11ⓐ
	90° CW to Trap	440T-MSGAU12ⓐ
	90° CCW to Trap	440T-MSGAU13ⓐ
	+/- 90° to Trap	440T-MSGAU14ⓐ
	45° CW to Trap	440T-MSGAU17ⓐ
	45° CCW to Trap	440T-MSGAU18ⓐ

ⓐ Substitute the desired primary code for this symbol (key not included). See page 5-6 for code selection.

Accessories

Description	Page Number	Catalogue Number
Replacement Key	5-33	440T-AKEYE10ⓑ
Replacement Code Barrel		440T-ASCBE14ⓐ
Optional Dust Cap		440T-ASFC11ⓑ

ⓐ Substitute the desired primary code for this symbol (key not included). See page 5-6 for code selection.

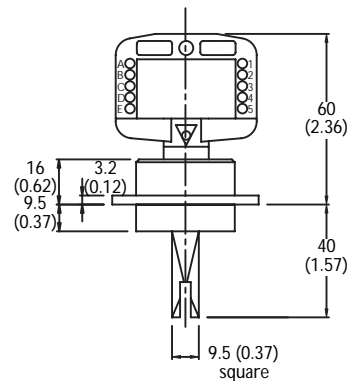
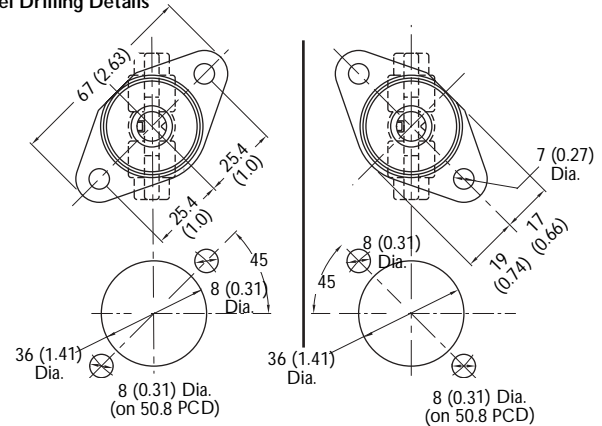
ⓑ Substitute the desired code for this symbol. See page 5-6 for code selection.

Approximate Dimensions—mm (inches)

Dimensions are not intended to be used for installation purposes.


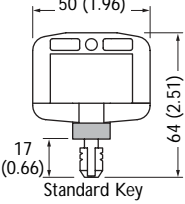

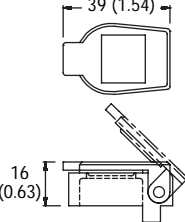

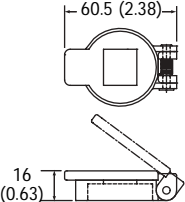

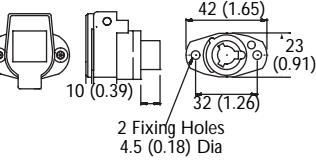

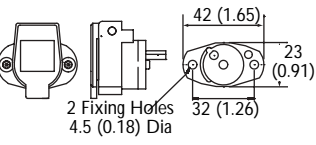
45° Mounting Type

Panel Drilling Details



Stainless steel construction.

Product Selection

Description	Approximate Dimensions— mm (inches)	Catalogue Number
 <p>Stainless Steel Weatherproof Keys</p>	 <p>Standard Key</p>	<p>440T-AKEYE10⊗</p>
 <p>Stainless Steel Weatherproof Dust Cap</p>		<p>440T-ASFC10⊗</p>
 <p>Stainless Steel Weatherproof Dust Cap for Switchgear Adaptor</p>		<p>440T-ASFC11ⓐ</p>
 <p>Stainless Steel Replacement Code Barrel for 100A Rotary Switch</p>	 <p>2 Fixing Holes 4.5 (0.18) Dia</p>	<p>440T-ASCBE11ⓐ</p>
 <p>Stainless Steel Replacement Code Barrels for Products Other than 100A RPS/RKS Units</p>	 <p>2 Fixing Holes 4.5 (0.18) Dia</p>	<p>440T-ASCBE14ⓐ</p>

ⓐ Substitute the desired primary code for this symbol (key not included). See page 5-6 for code selection.

⊗ Substitute the desired code for this symbol. See page 5-6 for code selection.



ATTENTION: The presence of spare keys, override keys, or spare actuators can compromise the integrity of safety interlocking systems. Personal injury or death, property damage or economic loss can result from the introduction of spare keys, override keys or spare actuators into interlocking systems without appropriate management controls, working procedures and alternative protective measures to control their use and availability.