



Data Sheet



Product Category: RF SAW Filter

Part Number	Package	Application	Last Modified
863-RF315.0M-A	3.8 x 3.8 SMD	Remote Control	Jan. 01, 2007

TYPE :

Remote Control, RF SAW Filter



PART NUMBER :

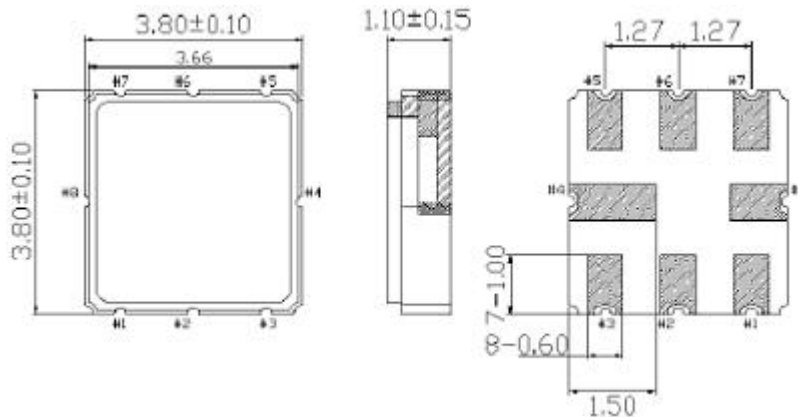
863-RF315.0M-A

OPERATING CONDITIONS / ELECTRICAL CHARACTERISTICS

PARAMETERS	Condition	Minimum	Typical	Maximum	Units
Center Frequency (Fo)	-	-	315.0	-	MHz
Maximum Insertion Loss (IL MIN)	314.82 ~ 315.22 MHz	-	2.2	4.0	dB
Stop Band Attenuation:	10.0 ~ 270.0 MHz	45	50	-	dB
	270.0 ~ 309.0 MHz	30	35	-	
	309.0 ~ 313.94 MHz	15	20	-	
	316.0 ~ 335.0 MHz	10	15	-	
	335.0 ~ 400.0 MHz	35	40	-	
	400.0 ~ 1000.0 MHz	45	50	-	
Pass Band Relative to IL MIN	314.77 ~ 315.2 MHz	-	1.5	3.0	dB
	314.77 ~ 315.26 MHz	-	2.0	6.0	
3dB Passband Width relative to IL MIN	-	0.8	0.92	-	MHz
Source Impedance (single ended)*	-	-	50	-	ohm
Load Impedance (single ended)*	-	-	50	-	ohm
Pass Band Ripple	433.76 ~ 434.16 MHz	-	1.0	2.0	-
Maximum Input Power	-	-	-	10	dBm
Operating Temperature	-	-40	-	+125	°C

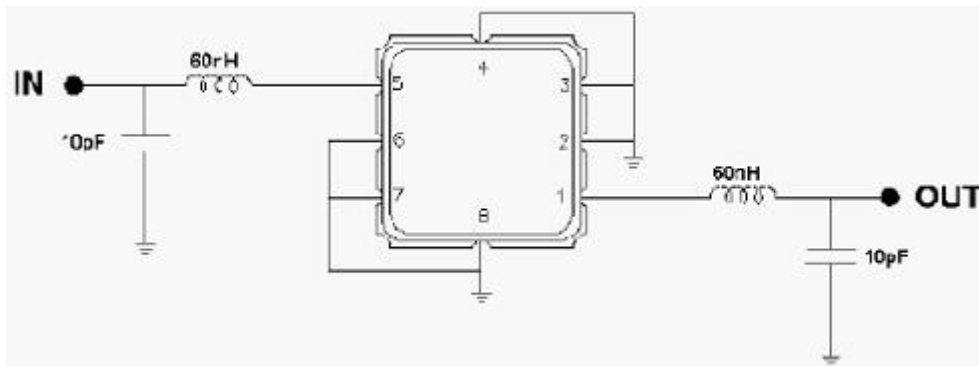
* With Matching Network

PACKAGE OUTLINE (mm)



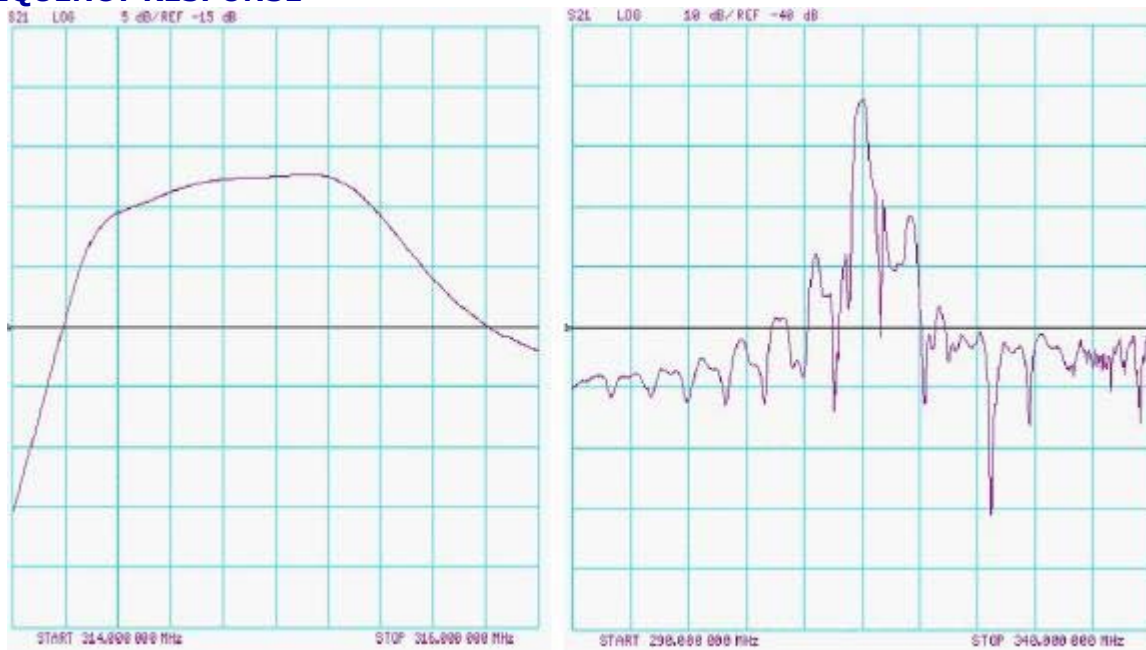
PIN LAYOUT	
1	Out
2	Ground
3	Ground
4	Ground
5	In
6	Ground
7	Ground
8	Ground

TEST FIXTURE



Source/ Load Impedance = 50 ohms

FREQUENCY RESPONSE



Oscilent Corporation - CALL **949.252.0522**

Part No.: 863-RF315.0M-A

18195 East McDermott Street , Building D , Irvine , CA 92614 , USA
 Fax: 949.252.0599 , E-Mail: Sales@Oscilent.com