

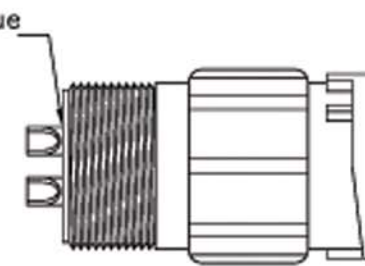
④



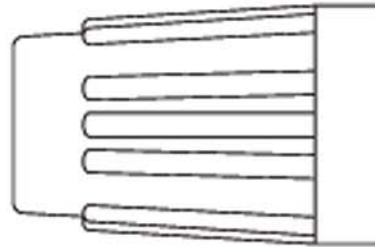
③



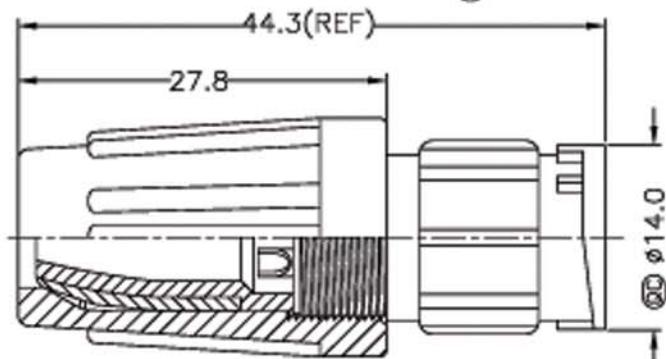
②



①



⑤



Pin Assignments
Front View

Notes:

- Waterproof Rate: IP66
- Connector: Black, Nylon+GF
- Pin: Copper Alloy, Gold Plated



ITEM NO
A-CR-05BMMA-L180-WP-R (Male, 5 Pin)

TITLE
 Waterproof Circular Connector (5A), Assembly Type, Panel Mount

ASSMANN
 Electronics, Inc.

1840 W. Drake Drive, Suite 101 - Tempe, AZ 85283
 Toll Free: 1-877-277-6266 Email: info@usa-assmann.com

THIS DRAWING IS UNPUBLISHED
 © Copyright 2008 by Assmann Electronic Components
 All International Rights Reserved