

To all our customers

---

## **Regarding the change of names mentioned in the document, such as Mitsubishi Electric and Mitsubishi XX, to Renesas Technology Corp.**

---

The semiconductor operations of Hitachi and Mitsubishi Electric were transferred to Renesas Technology Corporation on April 1st 2003. These operations include microcomputer, logic, analog and discrete devices, and memory chips other than DRAMs (flash memory, SRAMs etc.) Accordingly, although Mitsubishi Electric, Mitsubishi Electric Corporation, Mitsubishi Semiconductors, and other Mitsubishi brand names are mentioned in the document, these names have in fact all been changed to Renesas Technology Corp. Thank you for your understanding. Except for our corporate trademark, logo and corporate statement, no changes whatsoever have been made to the contents of the document, and these changes do not constitute any alteration to the contents of the document itself.

Note : Mitsubishi Electric will continue the business operations of high frequency & optical devices and power devices.


Renesas Technology Corp.  
Customer Support Dept.  
April 1, 2003

MITSUBISHI INSULATED GATE BIPOLAR TRANSISTOR

# CT20VML-8

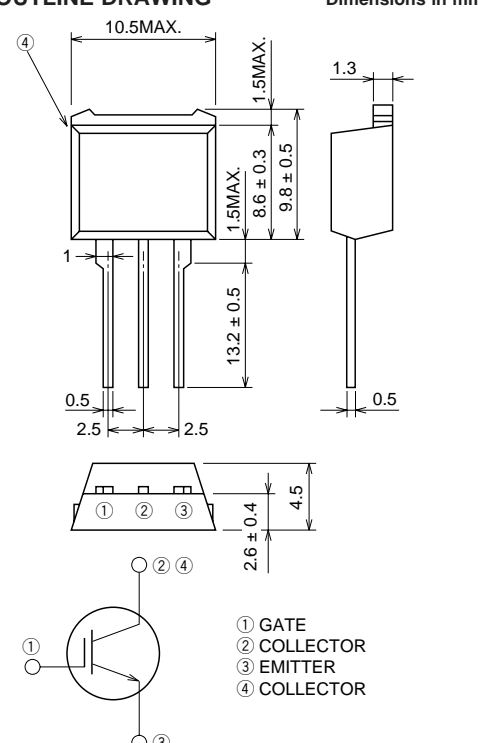
STROBE FLASHER USE

**CT20VML-8**



- VCES ..... 400V
- ICM ..... 130A

**OUTLINE DRAWING** Dimensions in mm



① GATE  
② COLLECTOR  
③ EMITTER  
④ COLLECTOR

**TO-220C**

**APPLICATION**  
Strobe Flasher.

**MAXIMUM RATINGS** (Tc = 25°C)

Symbol	Parameter	Conditions	Ratings	Unit
V <sub>CES</sub>	Collector-emitter voltage	V <sub>GE</sub> = 0V	400	V
V <sub>GES</sub>	Gate-emitter voltage	V <sub>CE</sub> = 0V, See notice 4	±15	V
V <sub>GEM</sub>	Peak gate-emitter voltage	V <sub>CE</sub> = 0V, t <sub>w</sub> = 10s	±16	V
I <sub>CM</sub>	Collector current (Pulsed)	See figure 1	130	A
T <sub>j</sub>	Junction temperature		-40 ~ +150	°C
T <sub>stg</sub>	Storage temperature		-40 ~ +150	°C

**ELECTRICAL CHARACTERISTICS** (T<sub>j</sub> = 25°C)

Symbol	Parameter	Test conditions	Limits			Unit
			Min.	Typ.	Max.	
V(BR)CES	Collector-emitter breakdown voltage	I <sub>C</sub> = 1mA, V <sub>GE</sub> = 0V	450	—	—	V
I <sub>CES</sub>	Collector-emitter leakage current	V <sub>CE</sub> = 400V, V <sub>GE</sub> = 0V	—	—	10	μA
I <sub>GES</sub>	Gate-emitter leakage current	V <sub>GE</sub> = ±16V, V <sub>CE</sub> = 0V	—	—	±0.1	μA
V <sub>GE(th)</sub>	Gate-emitter threshold voltage	V <sub>CE</sub> = 10V, I <sub>C</sub> = 1mA	0.5	—	2.0	V

PERFORMANCE CURVES

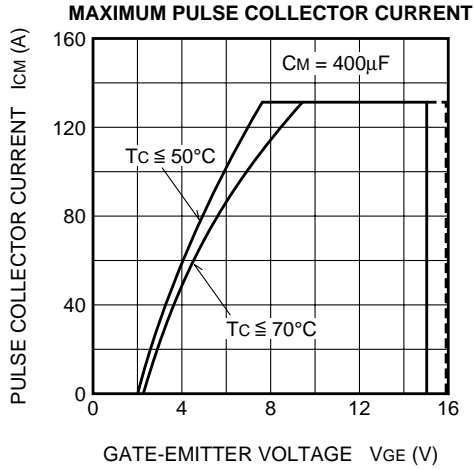
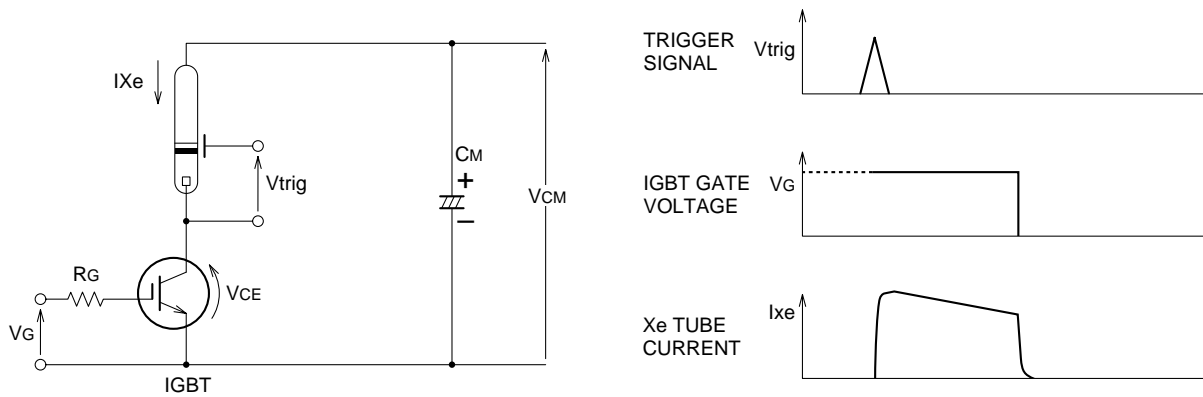


Figure 1

APPLICATION EXAMPLE



RECOMMEND CONDITION	MAXIMUM CONDITION
$V_{CM} = 330\text{V}$	350V
$I_P = 120\text{A}$	130A
$C_M = 300\mu\text{F}$	400 $\mu\text{F}$
$V_{GE} = 12\text{V}$	

- Notice 1. Gate drive voltage during on-period must be applied to satisfy the rating of maximum pulse collector current. And reverse gate current during turn-off must be kept less than 0.5A. (In general, it is satisfied if  $R_G \geq 47\Omega$ )
- Notice 2. IGBT has MOS structure and its gate is insulated by thin silicon oxide. So please handle carefully not to suffer from electrostatic charge.
- Notice 3. The operation life should be endured 5,000 shots under the charge current ( $I_{xe} \leq 130\text{A}$  : full luminescence condition) of main condenser ( $C_M=400\mu\text{F}$ ). Repetition period under full luminescence condition is over 3 seconds.
- Notice 4. Total operation hours must be applied within 5,000 hours.