

Fault-Protected Single 8-Ch/Differential 4-Ch Analog Multiplexers

DESCRIPTION

The DG458 and DG459 are 8-channel single-ended and 4-channel differential analog multiplexers, respectively, incorporating fault protection. A series n-p-n MOSFET structure provides device and signal-source protection in the event of power loss or overvoltages. Under fault conditions the multiplexer input (or output) appears as an open circuit and only a few nanoamperes of leakage current will flow. This protects not only the multiplexer and the circuitry following it, but also protects the sensors or signal sources which drive the multiplexer.

The DG458 and DG459 can withstand continuous overvoltage inputs up to ± 35 V. All digital inputs have TTL compatible logic thresholds. Break-before-make operation prevents channel-to-channel interference.

The DG458 and DG459 are improved pin-compatible replacements for HI-508A/509A and MAX358/359 multiplexers.

FEATURES

- Fault and Overvoltage Protection
- All Channels Off When Power Off
- Latchup-Proof
- Fast Switching - T_A : 200 ns
- Break-Before-Make Switching
- Low On-Resistance: 180 Ω
- Low Power Consumption: 3 mW
- TTL and CMOS Compatible Inputs



RoHS*
COMPLIANT

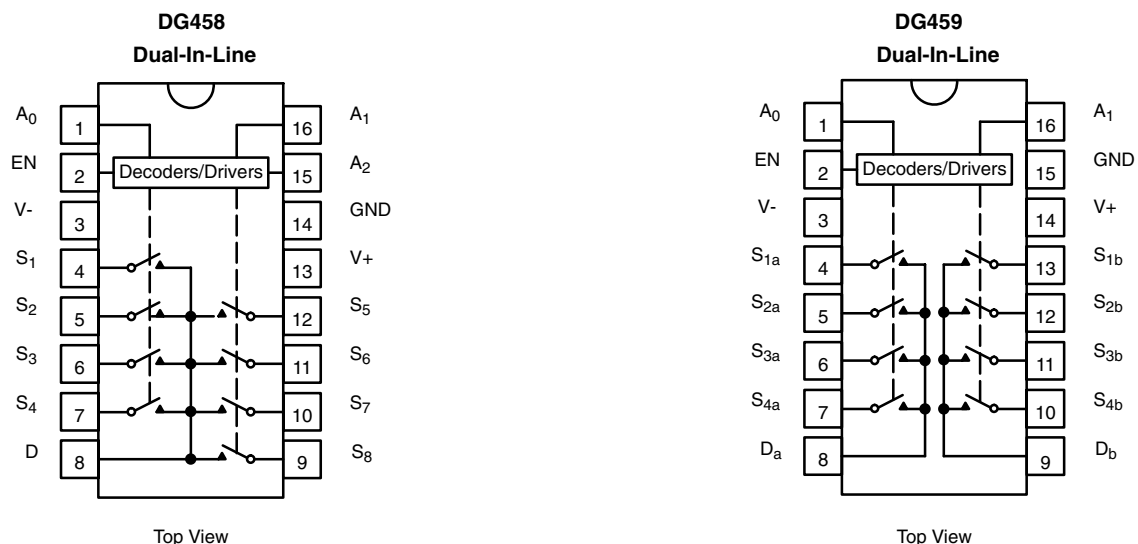
BENEFITS

- Improved Ruggedness
- Power Loss Protection
- Prevents Adjacent Channel Crosstalk
- Standard Logic Interface
- Superior Accuracy
- Fast Settling Time

APPLICATIONS

- Data Acquisition Systems
- Industrial Process Control Systems
- Avionics Test Equipment
- High-Rel Control Systems
- Telemetry

FUNCTIONAL BLOCK DIAGRAM AND PIN CONFIGURATION



* Pb containing terminations are not RoHS compliant, exemptions may apply



THRU TABLES AND ORDERING INFORMATION

| TRUTH TABLE - DG458 | | | | |
|---------------------|----------------|----------------|----|-----------|
| A ₂ | A ₁ | A ₀ | EN | On Switch |
| X | X | X | 0 | None |
| 0 | 0 | 0 | 1 | 1 |
| 0 | 0 | 1 | 1 | 2 |
| 0 | 1 | 0 | 1 | 3 |
| 0 | 1 | 1 | 1 | 4 |
| 1 | 0 | 0 | 1 | 5 |
| 1 | 0 | 1 | 1 | 6 |
| 1 | 1 | 0 | 1 | 7 |
| 1 | 1 | 1 | 1 | 8 |

| TRUTH TABLE - DG459 | | | |
|---------------------|----------------|----|-----------|
| A ₁ | A ₀ | EN | On Switch |
| X | X | 0 | None |
| 0 | 0 | 1 | 1 |
| 0 | 1 | 1 | 2 |
| 1 | 0 | 1 | 3 |
| 1 | 1 | 1 | 4 |

Logic "0" = V_{AL} ≤ 0.8 V
 Logic "1" = V_{AH} ≥ 2.4 V
 X = Don't Care

| ORDERING INFORMATION | | |
|----------------------|--------------------|-----------------------|
| Temp Range | Package | Part Number |
| - 40 to 85 °C | 16-Pin Plastic DIP | DG458DJ DG458DJ-E3 |
| | | DG459DJ DG459DJ-E3 |

| ABSOLUTE MAXIMUM RATINGS | | | |
|--|---------------------------------|------------------------|------|
| Parameter | | Limit | Unit |
| V+ to V- | | 44 | V |
| V+ to GND | | 22 | |
| V- to GND | | - 25 | |
| V _{EN} , V _A Digital Input | | (V-) - 4 to (V+) + 4 | |
| V _S , Analog Input Overvoltage with Power On | | (V-) - 20 to (V+) + 20 | |
| V _S , Analog Input Overvoltage with Power Off | | - 35 to + 35 | |
| Continuous Current, S or D | | 20 | mA |
| Peak Current, S or D (Pulsed at 1 ms, 10 % duty cycle max) | | 40 | |
| Storage Temperature | (AK Suffix) | - 65 to 150 | °C |
| | (DJ Suffix) | - 65 to 125 | |
| Power Dissipation (Package) ^a | 16-Pin Plastic DIP ^B | 600 | mW |
| | 16-Pin CerDIP ^C | 1000 | |
| | LCC-20 ^d | 1000 | |

Notes:

- a. All leads soldered or welded to PC board.
- b. Derate 6.3 mW/°C above 75 °C.
- c. Derate 12 mW/°C above 75 °C.
- d. Derate 10 mW/°C above 75 °C.



| SPECIFICATIONS^a | | | | | | | | | | | |
|---|---------------------|--|-------|-------------------|------------------|----------------------------|------------------|---------------------------|------------------|---------------|----|
| Parameter | Symbol | Test Conditions Unless Otherwise Specified $V_+ = 15\text{ V}$, $V_- = -15\text{ V}$ $V_{AL} = 0.8\text{ V}$, $V_{AH} = 2.4\text{ V}^f$ | | Temp ^b | Typ ^c | A Suffix - 55 to 125 °C | | D Suffix - 40 to 85 °C | | Unit | |
| | | | | | | Min ^d | Max ^d | Min ^d | Max ^d | | |
| Analog Switch | | | | | | | | | | | |
| Analog Signal Range ^e | V_{ANALOG} | | Full | | | - 10 | 10 | - 10 | 10 | V | |
| Drain-Source On-Resistance | $r_{DS(on)}$ | $V_D = \pm 9.5\text{ V}$, $I_S = -400\ \mu\text{A}$ | Room | 0.45 | | | 1.2 | | 1.5 | k Ω | |
| | | $V_D = \pm 5\text{ V}$, $I_S = -400\ \mu\text{A}$ | Full | 180 | | 400 | | 400 | | Ω | |
| $r_{DS(on)}$ Matching Between Channels ^h | $\Delta r_{DS(on)}$ | $V_D = 0\text{ V}$, $I_S = -400\ \mu\text{A}$ | Room | 6 | | | | | | % | |
| Source Off Leakage Current | $I_{S(off)}$ | $V_{EN} = 0\text{ V}$, $V_D = \pm 10\text{ V}$ $V_S = \pm 10\text{ V}$ | Room | 0.03 | - 0.5 | 0.5 | - 1 | 1 | - 20 | 20 | |
| Drain Off Leakage Current | $I_{D(off)}$ | $V_{EN} = 0\text{ V}$ $V_D = \pm 10\text{ V}$ $V_S = \pm 10\text{ V}$ | DG458 | Room | 0.1 | - 1 | 1 | - 1 | 1 | - 50 | 50 |
| | | | DG459 | Room | 0.1 | - 1 | 1 | - 2 | 2 | - 25 | 25 |
| Differential Off Drain Leakage Current | I_{DIFF} | DG459 Only | Room | | - 50 | 50 | - 20 | 20 | | nA | |
| Drain On Leakage Current | $I_{D(on)}$ | $V_S = V_D = \pm 10\text{ V}$ | DG458 | Room | 0.1 | - 2 | 2 | - 5 | 5 | - 50 | 50 |
| | | | DG459 | Room | 0.05 | - 2 | 2 | - 5 | 5 | - 25 | 25 |
| Fault | | | | | | | | | | | |
| Output Leakage Current (with Overvoltage) | $I_{D(off)}$ | $V_S = \pm 33\text{ V}$, $V_D = 0\text{ V}$ See Figure 1 | Room | 0.02 | | | | | | nA | |
| Input Leakage Current (with Overvoltage) | $I_{S(off)}$ | $V_S = \pm 25\text{ V}$, $V_D = 10\text{ V}$, See Figure 1 | Room | 0.005 | - 5 | 5 | - 10 | 10 | | μA | |
| Input Leakage Current (with Power Supplies Off) | | | Room | 0.001 | - 2 | 2 | - 5 | 5 | | | |
| Digital Control | | | | | | | | | | | |
| Input Low Threshold | V_{AI} | | Full | | | 0.8 | | 0.8 | | V | |
| Input Low Threshold | V_{AL} | | Full | | 2.4 | | 2.4 | | | | |
| Logic Input Control | I_A | $V_A = 2.4\text{ V}$ or 0.8 V | Full | | - 1 | 1 | - 1 | 1 | | μA | |



| SPECIFICATIONS ^a | | | | | | | | | | |
|---|----------------------|--|--|-------------------|------------------|----------------------------|------------------|---------------------------|------------------|------|
| Parameter | Symbol | Test Conditions Unless Otherwise Specified V ₊ = 15 V, V ₋ = - 15 V V _{AL} = 0.8 V, V _{AH} = 2.4 V ^f | | Temp ^b | Typ ^c | A Suffix - 55 to 125 °C | | D Suffix - 40 to 85 °C | | Unit |
| | | | | | | Min ^d | Max ^d | Min ^d | Max ^d | |
| Dynamic Characteristics | | | | | | | | | | |
| Transition Time | t _A | See Figure 3 | | Room | 200 | | 500 | | 500 | ns |
| Break-Before-Make Interval | t _{OPEN} | See Figure 4 | | Room | 45 | 10 | | 10 | | |
| Enable Turn-On Time | t _{ON(EN)} | See Figure 5 | | Room | 140 | | 250 | | 250 | |
| Enable Turn-Off Time | t _{OFF(EN)} | | | Full | | 500 | | 500 | | |
| Settling Time | t _s | To 0.1 % | | Room | 0.5 | | | | | µs |
| | | To 0.01 % | | Room | 1.5 | | | | | |
| Off Isolation | OIRR | V _{EN} = 0 V, R _L = 1 kΩ C _L = 15 pF, V _S = 3 V _{RMS} f = 100 kHz | | Room | 90 | | | | | dB |
| Logic Input Capacitance | C _{in} | f = 1 MHz | | Room | 5 | | | | | pF |
| Source Off Capacitance | C _{S(off)} | | | Room | 5 | | | | | |
| Drain Off Capacitance | C _{D(off)} | DG458 | | Room | 15 | | | | | |
| | | DG459 | | Room | 10 | | | | | |
| Drain On Capacitance | C _{D(on)} | DG458 | | Room | 40 | | | | | |
| | | DG459 | | Room | 35 | | | | | |
| Power Supplies | | | | | | | | | | |
| Positive Supply Current | I ₊ | V _{EN} = 5.0 or 0 V, V _A = 0 V | | Room | 0.05 | | 0.1 | | 0.1 | mA |
| Negative Supply Current | I ₋ | | | Full | | - 0.01 | - 0.1 | | - 0.1 | |
| Power Supply Range for Continuous Operation | | | | Room | | ± 4.5 | ± 18 | ± 4.5 | ± 18 | V |

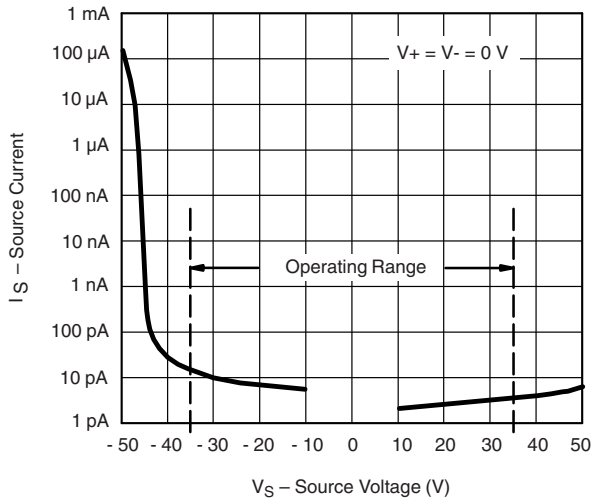
Notes:

- a. Refer to PROCESS OPTION FLOWCHART.
- b. Room = 25 °C, Full = as determined by the operating temperature suffix.
- c. Typical values are for DESIGN AID ONLY, not guaranteed nor subject to production testing.
- d. The algebraic convention whereby the most negative value is a minimum and the most positive a maximum, is used in this data sheet.
- e. Guaranteed by design, not subject to production test.
- f. V_{IN} = input voltage to perform proper function.
- g. When the analog signal exceeds the + 13.5 V or - 12 V, r_{DS(on)} starts to rise until only leakage currents flow.

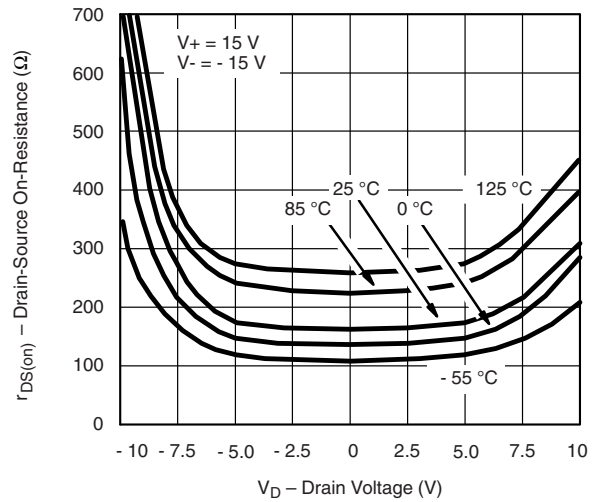
$$h. \Delta r_{DS(on)} = \left(\frac{r_{DS(on) \text{ MAX}} - r_{DS(on) \text{ MIN}}}{r_{DS(on) \text{ AVE}}} \right) \times 100 \%$$

Stresses beyond those listed under "Absolute Maximum Ratings" may cause permanent damage to the device. These are stress ratings only, and functional operation of the device at these or any other conditions beyond those indicated in the operational sections of the specifications is not implied. Exposure to absolute maximum rating conditions for extended periods may affect device reliability.

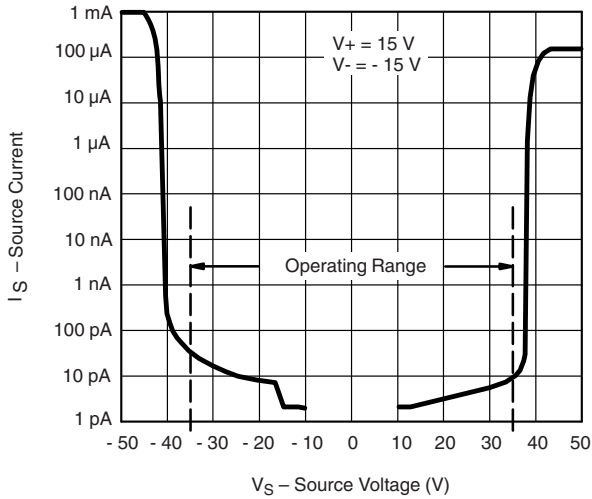
TYPICAL CHARACTERISTICS 25 °C, unless otherwise noted



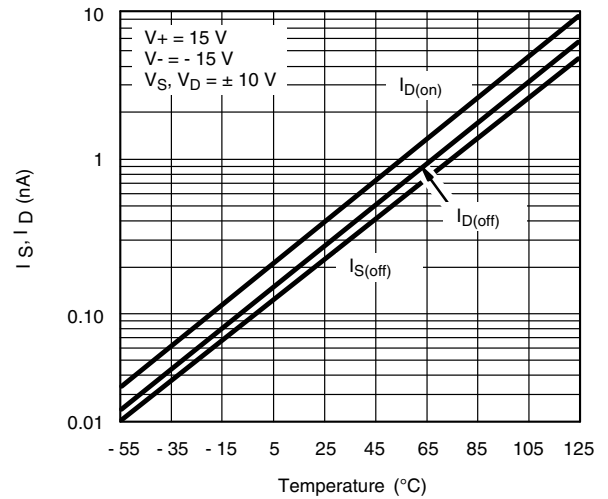
Input Leakage vs. Input Voltage



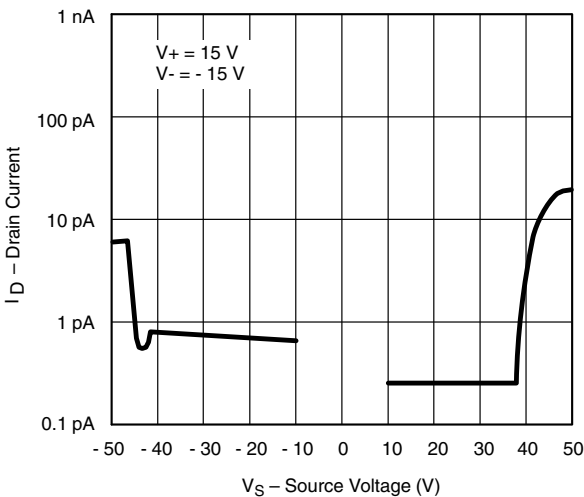
r_{DS(on)} vs. V_D and Temperature



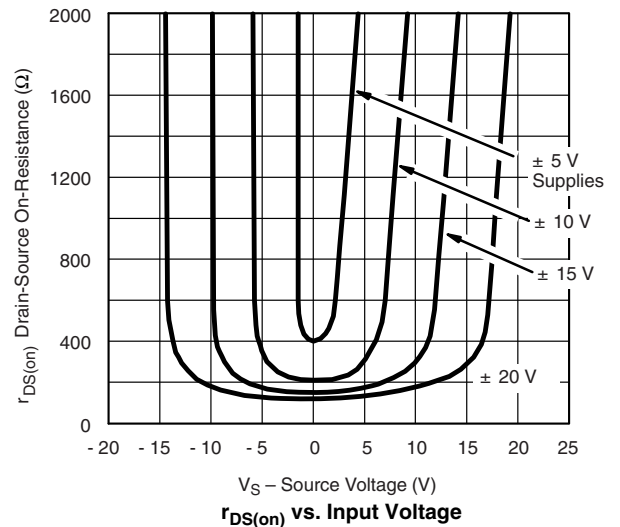
Off-Channel Leakage Currents vs. Input Voltage



Leakage Currents vs. Temperature

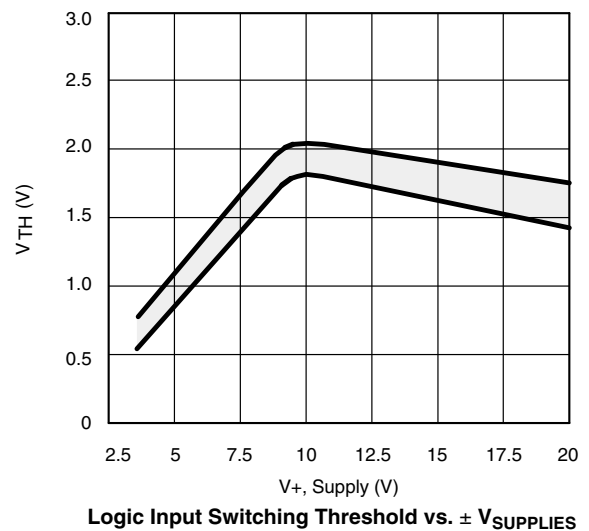
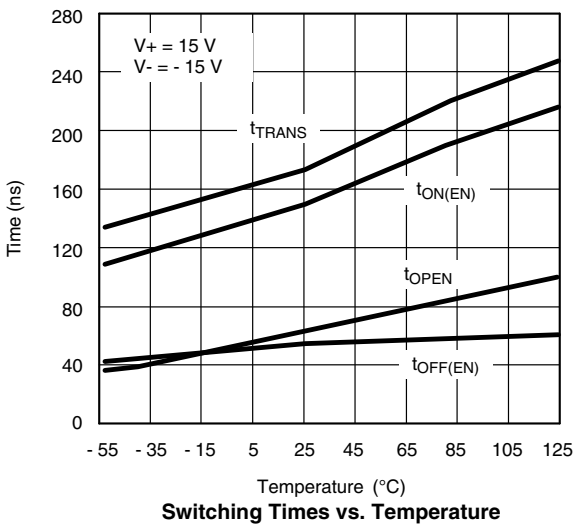
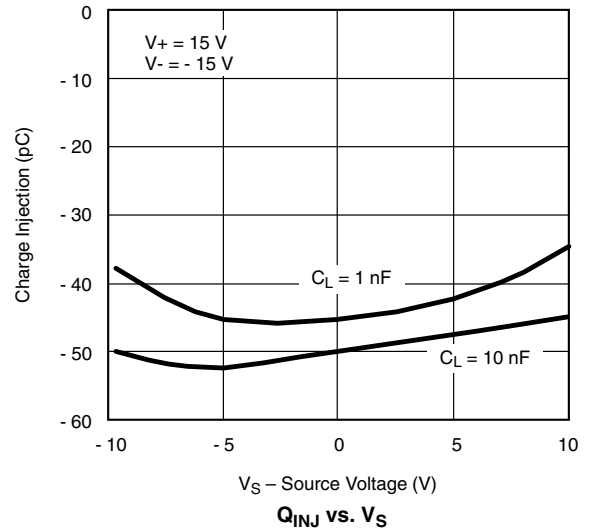
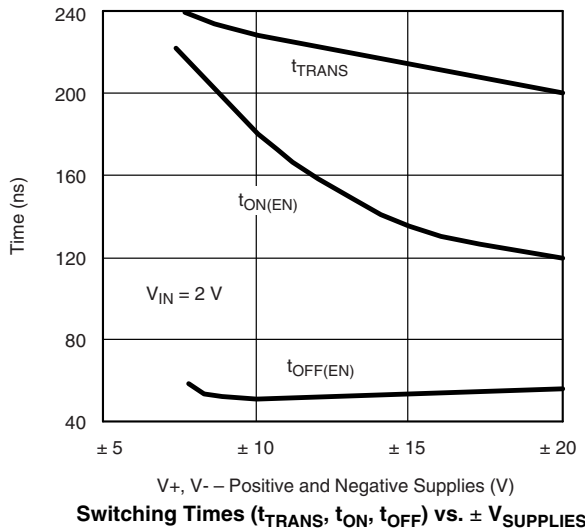
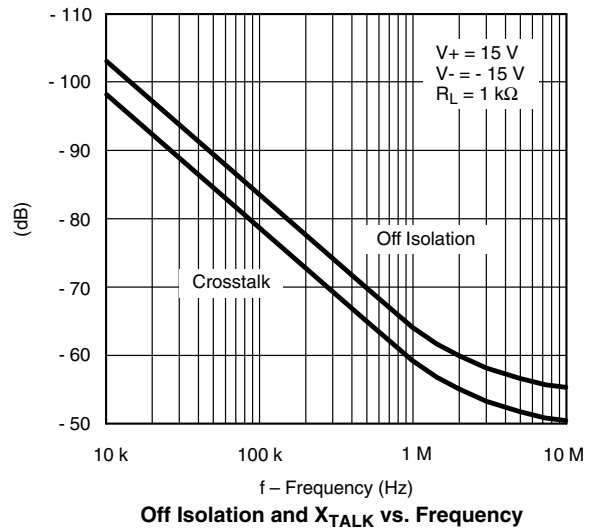
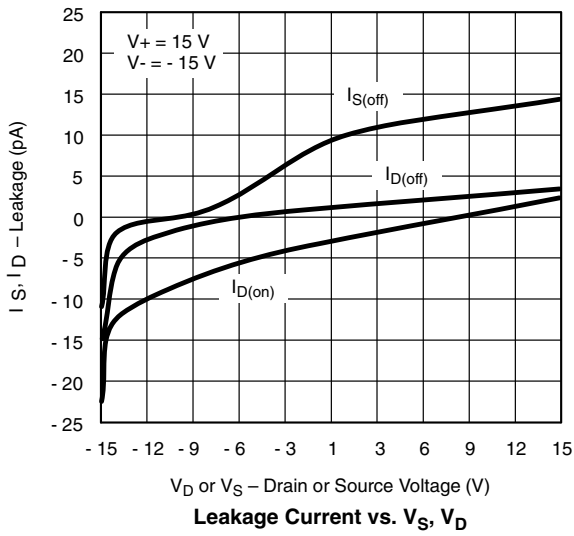


Output Leakage vs. Off-Channel Overvoltage

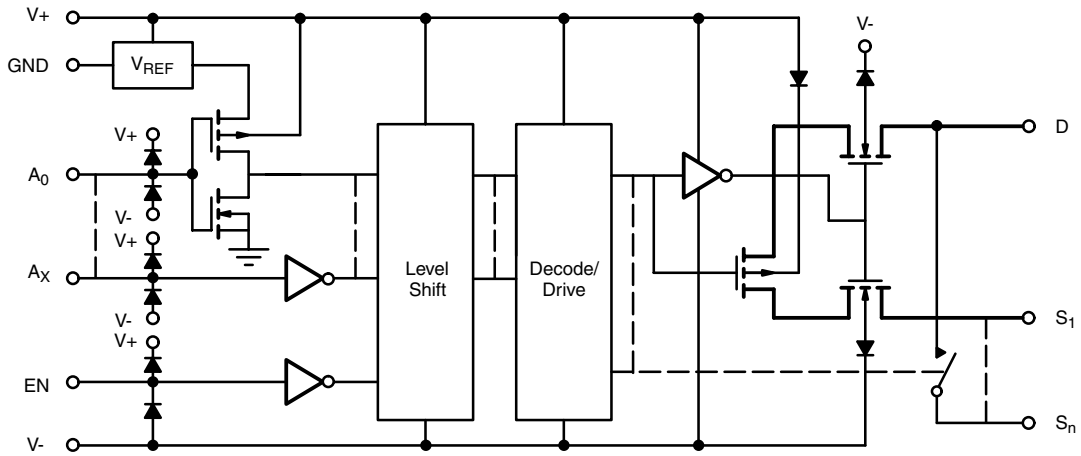


r_{DS(on)} vs. Input Voltage

TYPICAL CHARACTERISTICS 25 °C, unless otherwise noted



SCHEMATIC DIAGRAM (TYPICAL CHANNEL)



TEST CIRCUITS

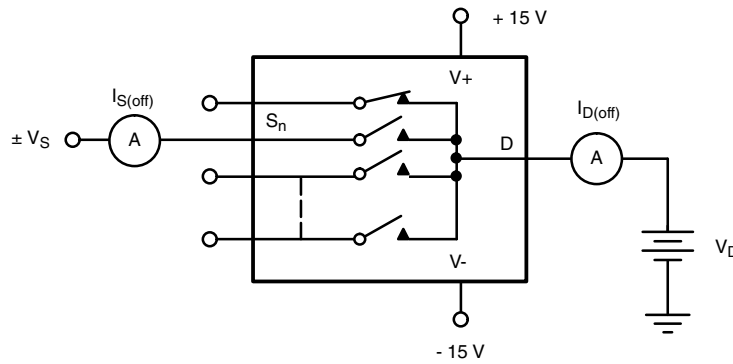


Figure 2. Analog Input Overvoltage

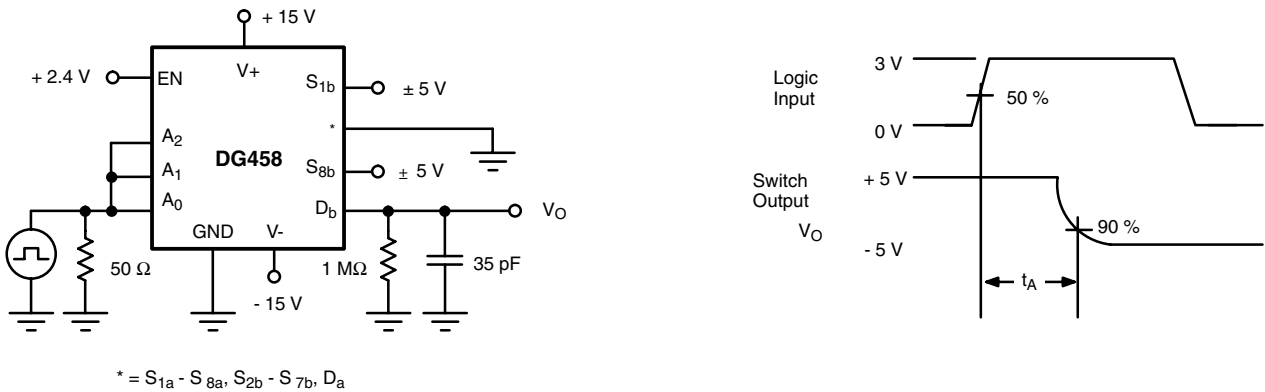


Figure 3. Transition Time

TEST CIRCUITS

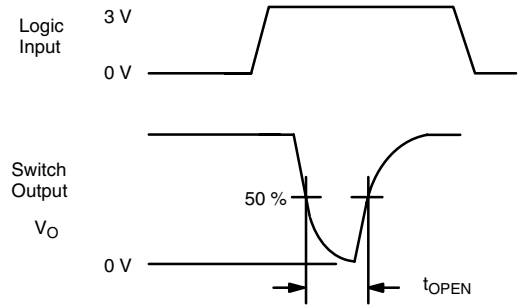
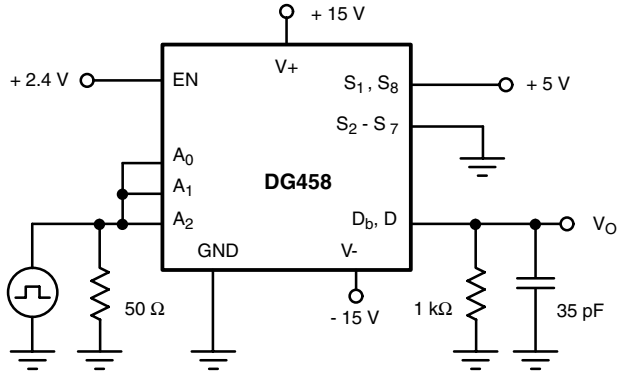


Figure 4. Break-Before-Make Time

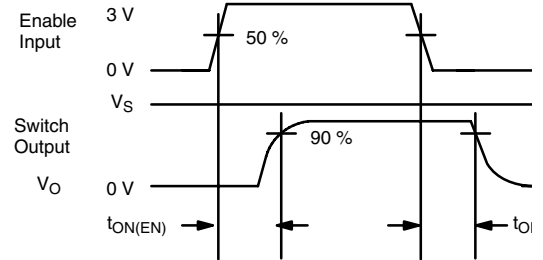
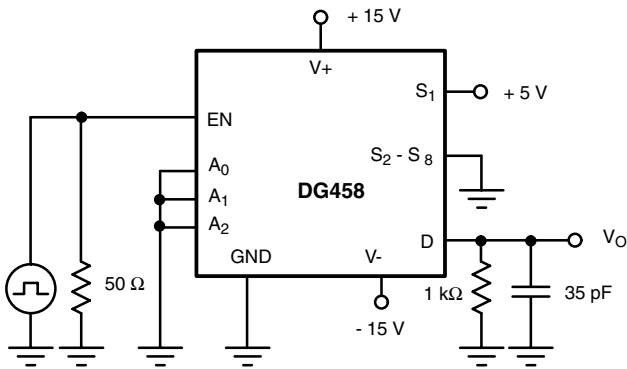


Figure 5. Enable Delay

DETAILED DESCRIPTION

The Vishay Siliconix DG458 and DG459 multiplexers are fully fault- and overvoltage-protected for continuous input voltages up to ± 35 V whether or not voltage is applied to the power supply pins ($V+$, $V-$). These multiplexers are built on a high-voltage junction-isolated silicon-gate CMOS process. Two n-channel and one p-channel MOSFETs are connected in series to form each channel (Figure 1).

Within the normal analog signal range (± 10 V), the $r_{DS(on)}$ variation as a function of analog signal voltage is comparable to that of the classic parallel N-MOS and P-MOS switches.

When the analog signal approaches or exceeds either supply rail, even for an on-channel, one of the three series MOSFETs gets cut-off, providing inherent protection against overvoltages even if the multiplexer power supply voltages are lost. This protection is good up to the breakdown voltage of the respective series MOSFETs. Under fault conditions only sub microamp leakage currents can flow in or out of the multiplexer. This not only provides protection for the multiplexer and succeeding circuitry, but it allows normal, undisturbed operation of all other channels. Additionally, in case of power loss to the multiplexer, the loading caused on the transducers and signal sources is insignificant, therefore redundant multiplexers can be used on critical applications such as telemetry and avionics.

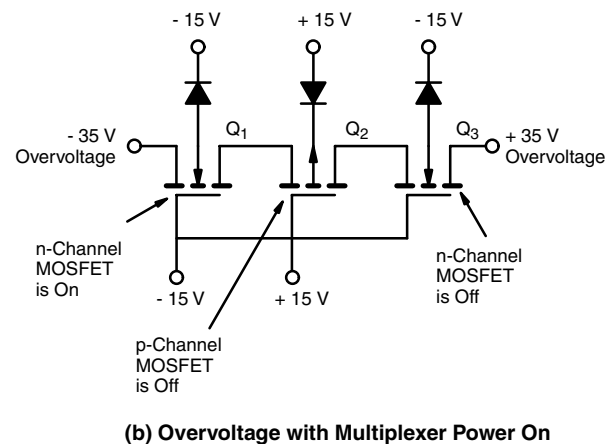
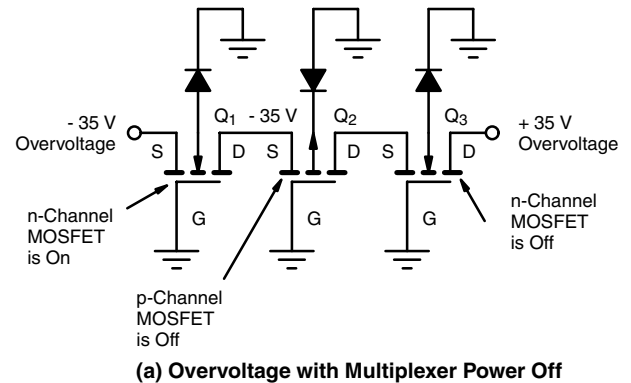


Figure 5. Overvoltage Protection

Vishay Siliconix maintains worldwide manufacturing capability. Products may be manufactured at one of several qualified locations. Reliability data for Silicon Technology and Package Reliability represent a composite of all qualified locations. For related documents such as package/tape drawings, part marking, and reliability data, see <http://www.vishay.com/ppg?70064>.



Disclaimer

All product specifications and data are subject to change without notice.

Vishay Intertechnology, Inc., its affiliates, agents, and employees, and all persons acting on its or their behalf (collectively, "Vishay"), disclaim any and all liability for any errors, inaccuracies or incompleteness contained herein or in any other disclosure relating to any product.

Vishay disclaims any and all liability arising out of the use or application of any product described herein or of any information provided herein to the maximum extent permitted by law. The product specifications do not expand or otherwise modify Vishay's terms and conditions of purchase, including but not limited to the warranty expressed therein, which apply to these products.

No license, express or implied, by estoppel or otherwise, to any intellectual property rights is granted by this document or by any conduct of Vishay.

The products shown herein are not designed for use in medical, life-saving, or life-sustaining applications unless otherwise expressly indicated. Customers using or selling Vishay products not expressly indicated for use in such applications do so entirely at their own risk and agree to fully indemnify Vishay for any damages arising or resulting from such use or sale. Please contact authorized Vishay personnel to obtain written terms and conditions regarding products designed for such applications.

Product names and markings noted herein may be trademarks of their respective owners.