

## Pigtail Isolator

### Features:

- High reliability
- Low insertion Loss
- High Isolation
- Optimized for different wavelengths
- Wide operating temperature range



Pigtail isolator is generally used in various lasers which require isolation to prevent feedback into laser.

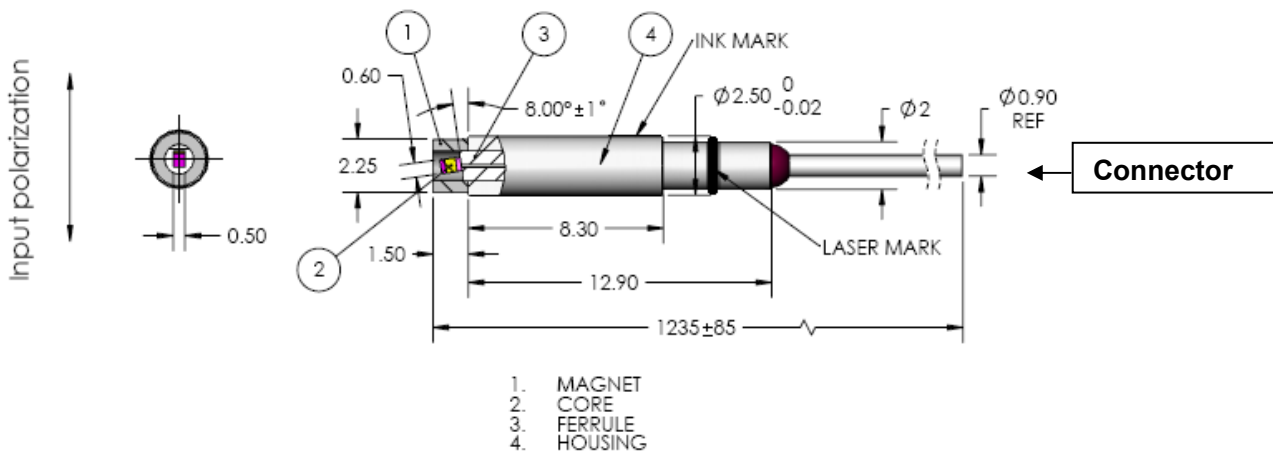
Finisar pigtail isolators offer excellent performance with low insertion loss, high isolation. Our proprietary bonding process, and years of volume manufacturing experience, results in a high reliability record. Bare isolator chips survive more than 5,000hrs of damp heat testing without delamination.

### Specifications:

Parameters	Units	Specification	
CWL	nm	1310	1550
Operating wavelength	nm	1290-1330	1530-1570
Operating temperature	°C	-40 to 85	
Insertion loss (Isolator chip)	dB	< 0.4	
Insertion loss (Connector)	dB	< 0.2	
Isolation at center wavelength	dB	>30 dB @ 23°C	
Maximum power rating	mW	4	
Storage temperature	°C	-40 to 100	
Connector		SC/APC	

\*Note: Over all wavelengths and temperatures.

### Package Dimensions (unit:mm):



### Ordering Information

#### Part Number Description

- FIP-S-31-00-4 Pigtail isolator, 1310nm, single stage, SC/APC connector  
 FIP-S-55-10-4 Pigtail isolator, 1550nm, single stage, SC/APC connector