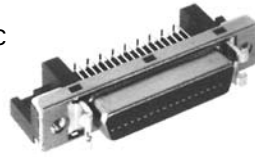


Specifications

Insulation Resistance: 500MΩ min. at 500V DC
 Withstanding Voltage: 500V ACrms for 1 minute
 Contact Resistance: 35mΩ max. at 10mA
 Current Rating: 0.5A
 Operating Temp. Range: -55°C to +85°C
 Soldering Temp.: 260°C / 5 sec.



Materials and Finish

Housing: PBT (glass filled), UL94V-0 rated
 Contacts: Copper Alloy
 Plating: Mating Face - Au over Ni
 Solder Terminals - Flash Au over Ni

Features

- 1.27mm pitch interface connectors with bellows type contacts
- Bellows type contacts ensure low insertion and extracting forces, contact protection from deformation and contact stability

Part Number (Details)

NCS 050Z - 022 - D F (01)

Series (socket)

No. of Leads

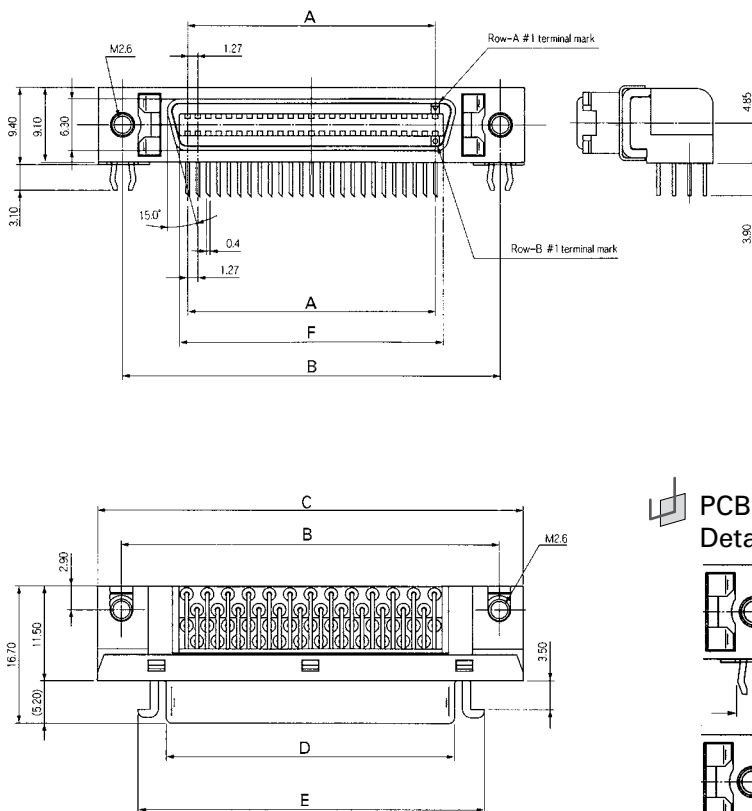
PCB Lock Type:
2 = Hook Lock

Terminal Type:
2 = 90° Solder Dip

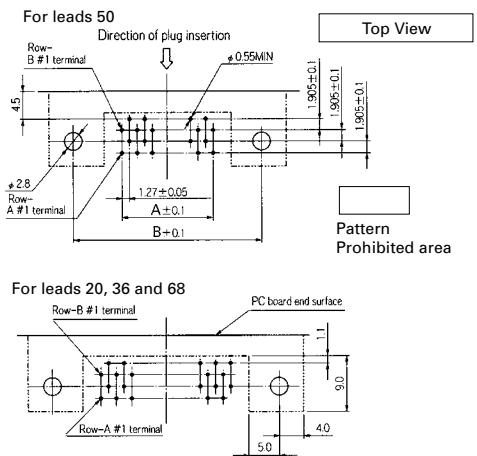
Mating Face Contact Plating:
D = Au (0.2μm min.) over Nickel

Solder Terminal Plating:
F = Flash Au over Nickel

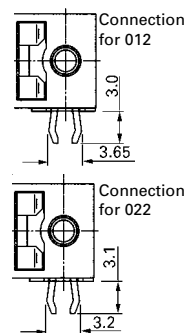
Outline Socket Dimensions



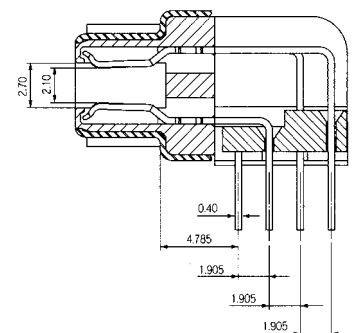
Recommended PCB Layout



PCB-Locking Details



Contact Details



Part Number	No. of Leads	A	B	C	D	E	F	G
NCS020Z-022-DF (01)	20	11.43	27.45	33.35	16.43	23.35	13.43	20.76
NCS036Z-022-DF (01)	36	21.59	37.61	43.51	26.59	33.51	23.59	27.11
NCS050Z-022-DF (01)	50	30.48	46.50	52.40	35.48	42.40	32.48	36.00