

DC-AC INVERTER UNIT

PS-DA0412-210(S) (25 W QUAD OUTPUTS)

(PRELIMINARY INFORMATION)

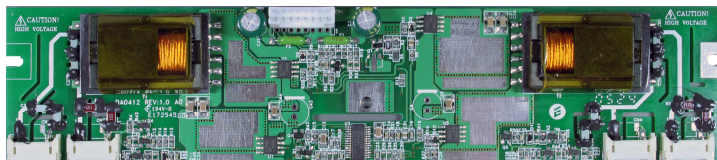
DESCRIPTION :

This low profile DC to AC Inverter is developed for quad lamps.

Optimized for Sharp Display: LQ190E1 LW02

APPLICABLE LCD:

- 15 to 21 inches quad lamp type
- Lamp Voltage 750 Vrms
- Lamp Current 4 x 7.0 mArms
- Lamp Start Up Voltage 1.800 Vrms (Vin : 12 Vdc)



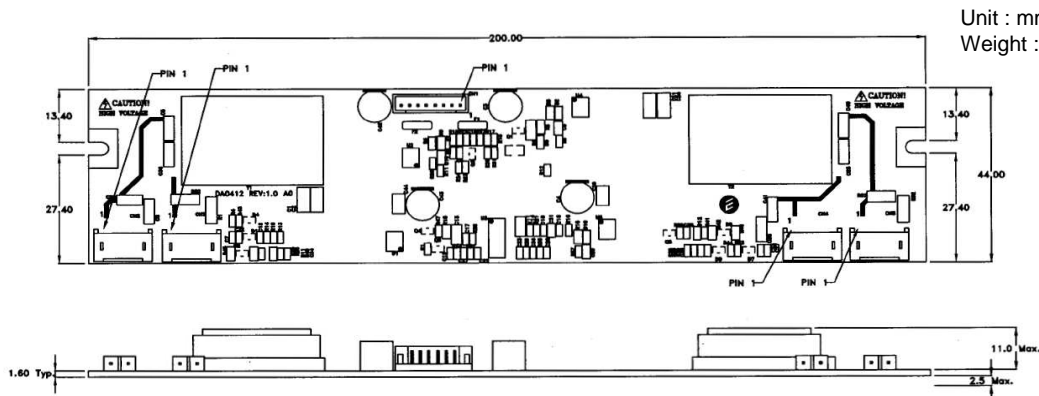
FEATURES :

- Remote ON/OFF
- Open Lamp Detection
- Internal PWM Controller with wide dimming function
- High Efficiency
- RoHS compliant (S)

TEMPERATURE & HUMIDITY :

- Operating Temperature Range -10°C ~ +60°C
- Storage Temperature Range -20°C ~ +85°C
- Humidity 95 %RH max

DIMENSIONS : L x W x H 200 x 44 x 12 mm



Unit : mm
Weight :38,4 (g) typ.

Note: Please use plastic screw in case of a non-insulating mounting base!

Components

No.	Part Description	Qty.	Material	Note
1	PCB	1	UL94V-0 (FR-4 or CEM-3)	t=1mm
2	Connector CN1	1	B8B-PH-K	JST or equal
3	Connector CN2 ~ CN5	4	SM02(8.0)B-BHS-1-TB	JST or equal

Input side CN1:

Pin No.	Symbols	Ratings
CN 1-1;2;3	Vin	10.8 ~ 13.2 Vdc
CN 1-4;5;6	GND	
CN 1-7	Vbr	0 ~ 3.0 Vdc
CN 1-8	Vrmt	0 ~ 0.5 = OFF / 3.3 ~ Vin = ON

Output side CN2 ~ CN5:

Pin No.	Symbols	Ratings
CN 2-1	Vhigh	750 Vrms (7.0 mArms)
CN 2-2	N.C.	-
CN 2-3	Vlow	(GND)

Power Systems – The Power Solution

Web: www.Power-Systems.de
Email: Info@Power-Systems.de

Address: Hauptstr. 48 ; 74360 Ilsfeld-Auenstein / Germany
Tel. : + 49 / 70 62 / 67 59 - 6
Fax: + 49 / 70 62 / 67 59 - 800

DC-AC INVERTER UNIT

PS-DA0412-210(S) (25 W QUAD OUTPUTS)

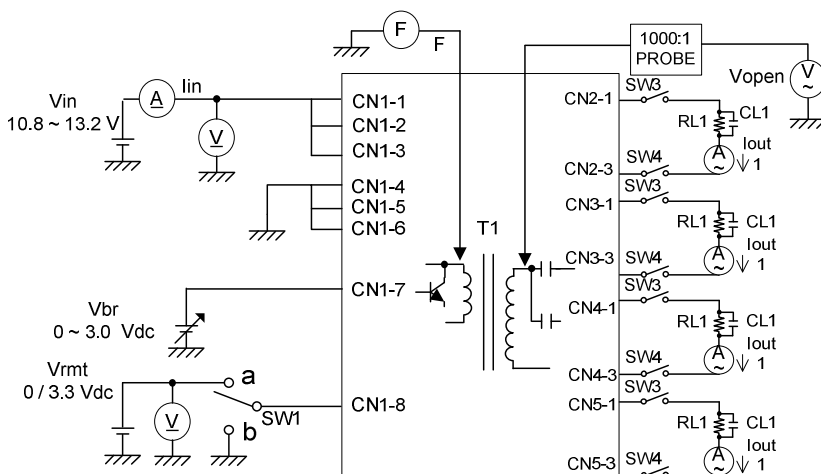
(PRELIMINARY INFORMATION)

ELECTRICAL CHARACTERISTICS :

Parameters	Symbols	Conditions			Specification			Unit	Note
		Vin (V)	Vrmt (V)	Tu (°C)	Min.	Typ.	Max.		
Output Current	Iout	12±1.2	5±0.25	0 ~ +50	6.0	7.0	8.0	mA rms	Vbr = 0 Vdc
Output Current	Iout	12±0.6	5±0.25	0 ~ +50	-	18.0	-	%	Vbr = 3.0 Vdc
Input Current	Iin	12±1.2	5±0.25	0 ~ +50	-	1.67	2.17	A dc	
Frequency	F	12±1.2	5±0.25	0 ~ +50	50	55	60	kHz	
Open Circuit Voltage	Vopen	11.4	5±0.25	0 ~ +50	1.650	1.800	3.000	V rms	

Note 1 : Please keep minimum of 2mm clearance (all directions) between inverter high voltage area as marked on mechanical drawing and any conductors.

TEST CIRCUIT :



SW1	Operation of unit
a	Operation
b	Non operation

Power Systems – The Power Solution

Web: www.Power-Systems.de
 Email: Info@Power-Systems.de

Address: Hauptstr. 48 ; 74360 Ilfeld-Auenstein / Germany
 Tel. : + 49 / 70 62 / 67 59 - 6
 Fax: + 49 / 70 62 / 67 59 - 800