

POWER DISCRETES
Description

Quick reference data

$$V_R = 20,000 - 30,000V$$

$$I_F = 6A \text{ (in still oil)}$$

$$I_R = 2\mu A \text{ (max.)}$$

$$t_{rr} = 3.5\mu s$$

Features

- ◆ Low forward voltage drop
- ◆ Low reverse leakage current
- ◆ High thermal shock resistance
- ◆ Modular construction and design versatility
- ◆ Low distributed capacitance

Absolute Maximum Ratings

Device Type	Working Reverse Voltage V_{RWM}	Max. Average Rectified Current $I_{F(AV)}$ Stud to heatsink			1 Cycle Surge Current (I_{FSM}) @ $t_p = 8.3mS$		I^2t
		25°C	100°C	Still oil @ 55°C	@ 25°C	@ 100°C	
		Volts	Amps	Amps	Amps	Amps	Amps
S6HVM20	20000	4	1.6	6	100	40	41.5
S6HVM25	25000	3	1.2	6			
S6HVM30	30000	3	1.2	6			

POWER DISCRETES

Electrical Characteristics

Device Type	Max. Reverse Leakage Current $I_R @ V_{RWM}$		Max. Forward Voltage $V_F @ 6A$	Max. Reverse Recovery Time ⁽¹⁾ $t_{rr} @ 25^\circ C$
	@ 25°C	@ 100°C	@ 25°C	@ 25°C
	µA	µA	Volts	µS
S6HVM20	2	20	23	3.5
S6HVM25	2	20	28.75	
S6HVM30	2	20	34.5	

Note:

(1) Measured on discrete devices prior to assembly.

Operating temperature range: -55°C to +150°C.

Storage temperature range: -55°C to +150°C.

Order Information

Electrical specifications @ $T_A = 25^\circ C$ unless otherwise specified.

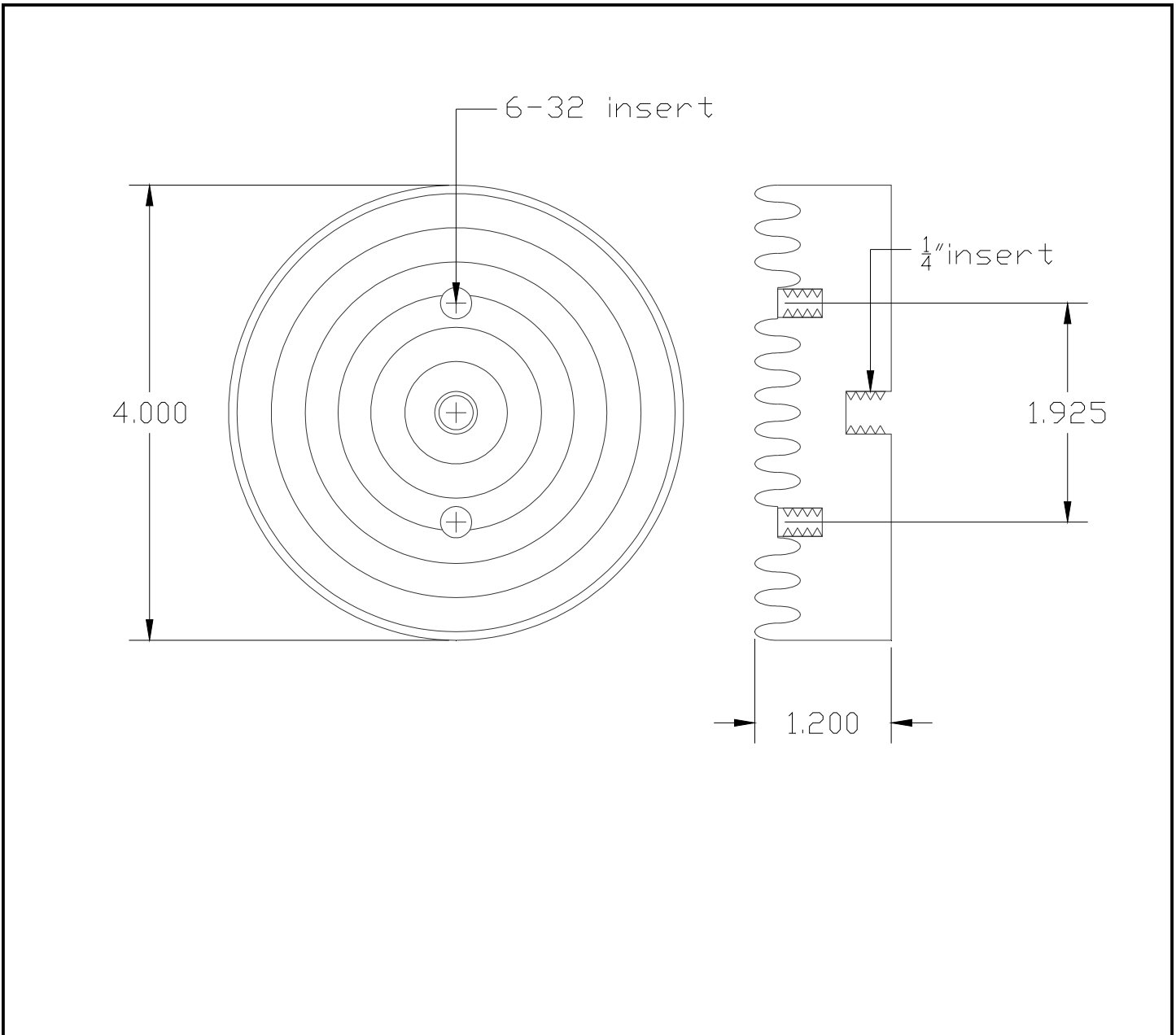
Part Number	Description
S6HVM20, S6HVM25, S6HVM30	Rectifier Assembly ⁽¹⁾

Note:

(1) Available in boxed packaging. Please consult factory for quantities.

POWER DISCRETES

Outline Drawing



Contact Information

Semtech Corporation
Power Discretes Products Division
200 Flynn Road, Camarillo, CA 93012
Phone: (805)498-2111 FAX (805)498-3804