

1. FEATURES

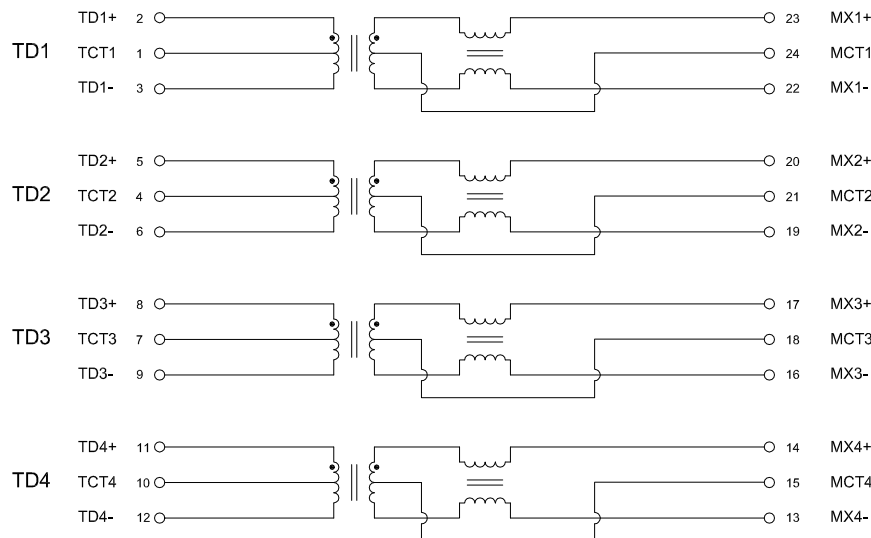
1. Designed for long haul Gigabit Ethernet 1000 Base-T, Full Duplex applications
2. Supports Category 5 UTP cable
3. Low Common Mode Emissions
4. Compliant with IEEE 802.3ab Standard for 1000 Base-T
5. Operating Temperature range : 0°C to +70°C
6. Storage Temperature range : -25°C to +125°C

2. ELECTRICAL SPECIFICATIONS (AT 25°C)

OCL: 350uH @ 100KHz, 100mV/8mA DC bias

Turns Ratio	Insertion Loss (dB Max.)	Return Loss 100Ω±15Ω (dB Min.)						Cross Talk (dB Min.)			C.M.R. (dB Min.)			Hi-Pot (Vrms)
		1-30 MHz	40 MHz	50 MHz	60-80 MHz	100 MHz	30 MHz	60 MHz	100 MHz	30 MHz	60 MHz	100 MHz		
TD1/2/3/4	1-100 MHz	1-30 MHz	40 MHz	50 MHz	60-80 MHz	100 MHz	30 MHz	60 MHz	100 MHz	30 MHz	60 MHz	100 MHz	60Hz/1min	
1CT:1CT	-1.0	-18.0	-14.4	-13.1	-12.0	-10.0	-45.0	-40.0	-35.0	-40.0	-35.0	-30.0	1500	

3. SCHEMATIC :



RoHS Compliant

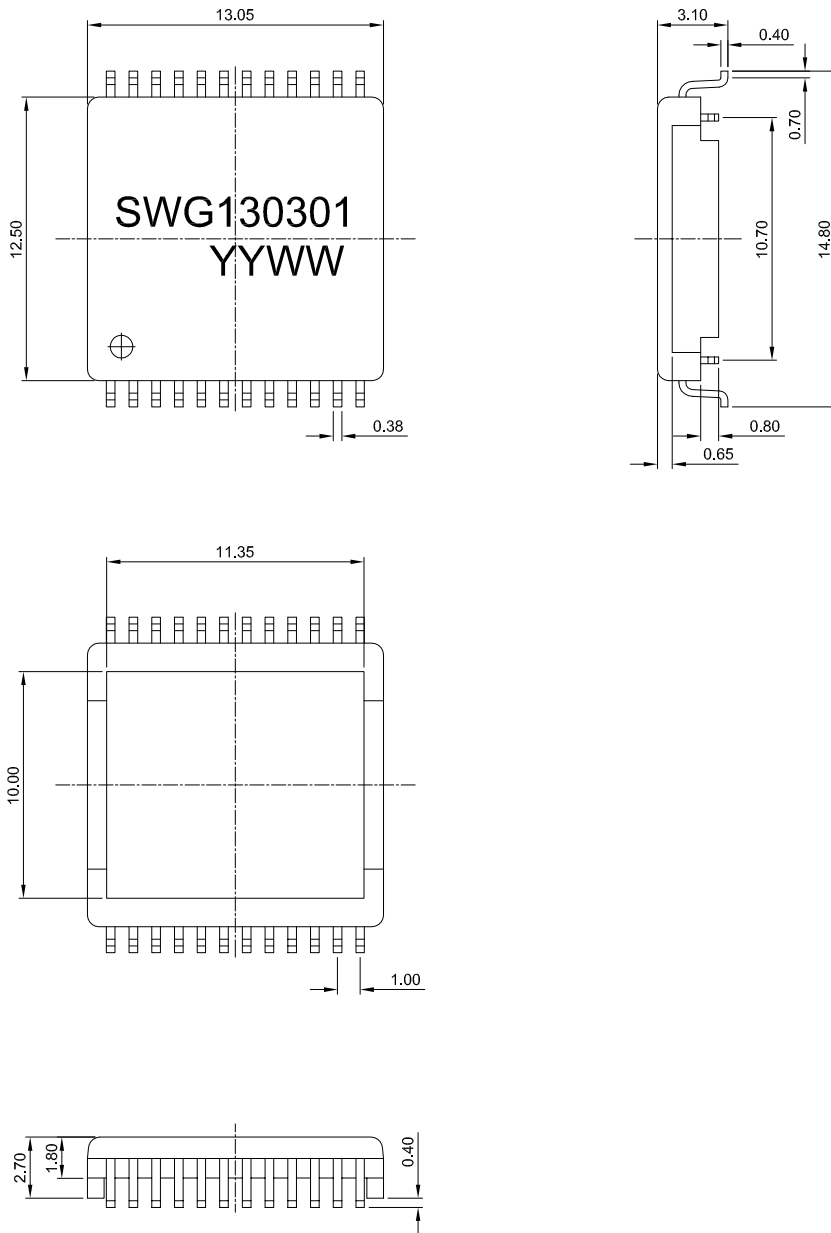
NOTE : Specifications subject to change without notice. Please check our website for latest information.

01.12.2008



SUPERWORLD ELECTRONICS (S) PTE LTD

4. MECHANICAL DIMENSIONS : (mm)



Dimension Tolerances:

- x.x = ± 0.10
- x.xx = ± 0.05
- x.xxx = ± 0.03

NOTE : Specifications subject to change without notice. Please check our website for latest information.



RoHS Compliant

01.12.2008



SUPERWORLD ELECTRONICS (S) PTE LTD