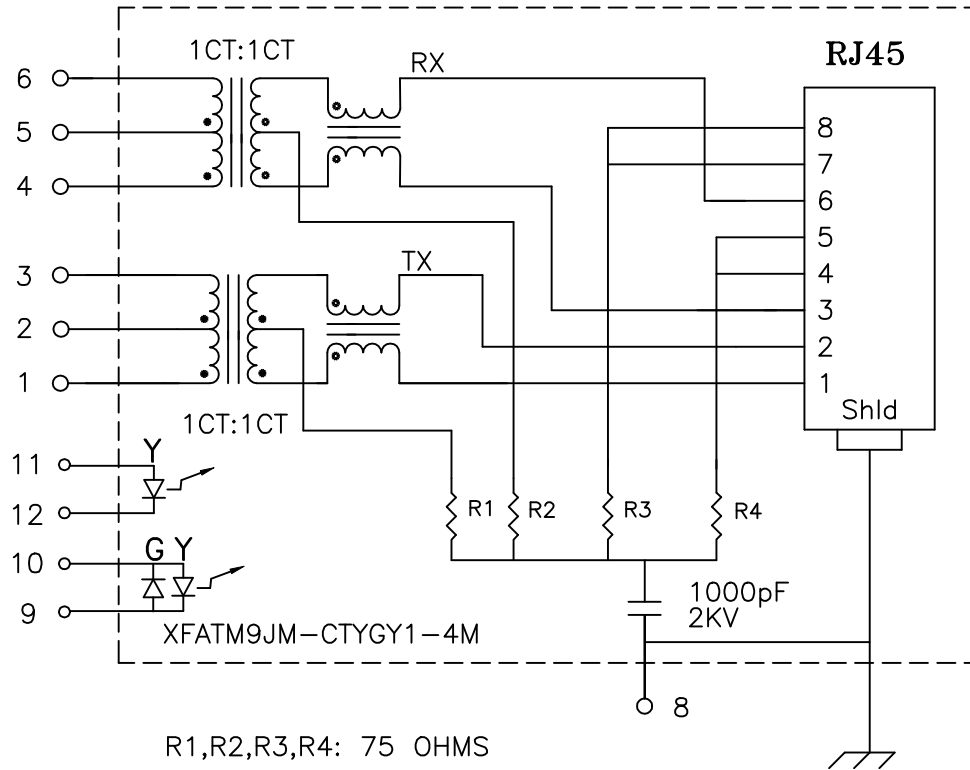


Schematic:



Electrical Specifications: @25°C

Isolation Voltage: 1500 Vrms (Input to Output)
 Isolation Voltage: 500 Vrms (P1+2+3 to P4+5+6)
 Turns Ratio: TX 1CT:1CT $\pm 3\%$ RX 1CT:1CT $\pm 3\%$
 CABLE SIDE OCL: 350uH Minimum @100KHz 100mV 8mADC
 Cw/w: 27pF Typical @100KHz 100mV
 Insertion Loss (300KHz-100MHz): -1.0dB Minimum
 Return Loss: @30MHz -18dB Minimum
 @80MHz -12dB Minimum

Notes:

1. Solderability: Leads shall meet MIL-STD-202, Method 208D for solderability.
2. Flammability: UL94V-0
3. ASTM oxygen index: > 28%
4. Insulation System: Class F 155°C. UL file E151556
5. Operating Temperature Range: All listed parameters are to be within tolerance from 0°C to +70°C
6. Storage Temperature Range: -55°C to +125°C
7. Aqueous wash compatible

Complete the Combo P/N as follows:

Replace 'x' & 'u' in the part number with one of the five LED color letters:

'x' = Left LED Color	Y=Yellow
'u' = Right LED Color	G=Green
	A=Amber
	R=Red
	YG=Yellow/Green Bicolor

DOC. REV: A/1

XFMRs Inc.	Title: SINGLE PORT COMBO TAB UP		
	UNLESS OTHERWISE SPECIFIED		P/N: XFATM9JM-CTYGY1-4M
TOLERANCES: .xxx ± 0.010	DWN.	廖玉坤	Feb-6-03
Dimensions in Inch	CHK.	李清儿	Feb-6-03
SHEET 1 OF 2	APP.	BW	Feb-6-03

