

## IEC Appliance Inlet C18 with Fuseholder 1-pole



C18



70° C

**Description**

- Panel Mount:  
Screw-on version from front or rear side, Appliance Inlet, Protection class II, Fuseholder for fuse-links 5 x 20 mm
- Solder terminals or quick connect terminals

**Approvals**

- VDE License Number: 40013344
- UL License Number: E88880
- CSA License Number: 1084381

**Technical Data**

|                           |   |
|---------------------------|---|
| Ratings IEC               | 10A / 250VAC; 50Hz  |
| Ratings UL/CSA            | 10A / 250VAC; 60Hz  |
| Dielectric Strength       | > 3kVAC between L-N<br>> 1.5kVAC between L/N-PE<br>(1 min/50Hz)   |
| Allowable Operation Temp. | -25 °C to 70 °C   |
| Degree of Protection      | from front side IP 20 acc. to IEC 60529                           |
| Protection Class          | Suitable for appliances with protection class 2 acc. to IEC 61140 |
| Terminal                  | Solder terminals or quick connect terminals                       |
| Material: Housing         | UL 94V-0  |

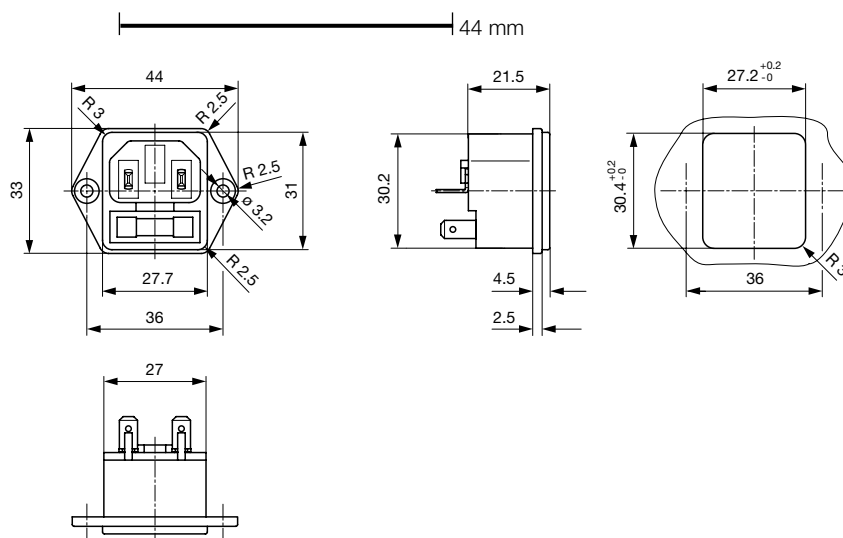
**References**

General Product Information

**Weblinks**

Approvals, RoHS, CHINA-RoHS, Mating Connectors, e-Store, Distributor-Stock-Check, Accessories

|                              |   |
|------------------------------|---|
| Appliance Inlet              | C18 acc. to IEC/EN 60320-1<br>UL 498, CSA C22.2 no. 42 (for cold conditions) pin-temperature 70 °C, 10A, Protection Class 2 |
| Fuseholder                   | 1-pole, acc. to IEC 60127-6, for fuse-links 5 x 20mm  |
| Power Acceptance @ Ta > 23°C | Admissible power acceptance at higher ambient temperature see derating curves   |

**Dimensions**

length of the terminal please find at the order code configuration table

## Config. Code

Product Configurator

1065 - H - A B C N - D - E G O


The characters are placeholders for the correspondingly keys of selections from the key tables.

### 1065 - H - A B C N - D - E G O = Type

| Type               | Configuration key |
|--------------------|-------------------|
| protection class 2 | B                 |

### 1065 - H - A B C N - D - E G O = Terminals

| Terminal L                      | Configuration key |
|---------------------------------|-------------------|
| short solder terminal (L=4,8mm) | 2                 |
| long solder terminal (L=8,5mm)  | 3                 |
| blade terminal (4,8x0,8mm)      | 8                 |
| blade terminal (6,3x0,8mm)      | 9                 |



### 1065 - H - A B C N - D - E G O = Terminals

| Terminal N                      | Configuration key |
|---------------------------------|-------------------|
| short solder terminal (L=4,8mm) | 2                 |
| long solder terminal (L=8,5mm)  | 3                 |
| blade terminal (4,8x0,8mm)      | 8                 |
| blade terminal (6,3x0,8mm)      | 9                 |

Symbols similar as in table A

### 1065 - H - A B C N - D - E G O = Terminals

| Terminal Ground  | Configuration key |
|------------------|-------------------|
| without terminal | 0                 |

Symbols similar as in table A

### 1065 - H - A B C N - D - E G O = Terminal Fuseholder

| Terminal Fuseholder        | Configuration key |
|----------------------------|-------------------|
| solder terminal            | 1                 |
| blade terminal (4,8x0,8mm) | 8                 |

### 1065 - H - A B C N - D - E G O = Color

| Color                 | Configuration key |
|-----------------------|-------------------|
| jet black; RAL9005    | A                 |
| silver grey; RAL7001  | B                 |
| pure white; RAL9010   | D                 |
| standard color: black |                   |

### 1065 - H - A B C N - D - E G O = Style

| Style                         | Configuration key |
|-------------------------------|-------------------|
| flange with countersunk holes | 1                 |
| flange with through holes     | 2                 |

### 1065 - H - A B C N - D - E G O = Dimension X

| Dimension "X" | Configuration key |
|---------------|-------------------|
| 00            |                   |

The dimension "X" is displayed in (1/10 mm). This information is also valid for the order code

### 1065 - H - A B C N - D - E G O = Features

| Features   | Configuration key |
|--|-------------------|
| dead cover   | 1                 |
| holder for 1 fuse (text legible, when inlet on top)    | 2                 |
| holder for 1 fuse (text legible, when inlet on bottom) | 3                 |

## Variants

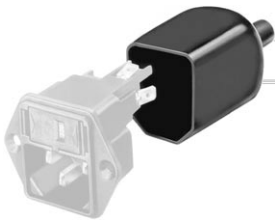
| Config. Code       | Description  | Order Number |
|--------------------|--|--------------|
| 1065-X-2201-A-1002 | 1065, IEC Power Entry Module C18, 70°C, version: 2, L: short solder terminal (L=4,8mm), N: short solder terminal (L=4,8mm), ground: without terminal, fuseholder: solder terminal, color: jet black; RAL9005, design: flange with countersunk holes, dimension X: 00, features: holder for 1 fuse (text legible, when inlet on top), not used  | 4304.6033    |
| 1065-X-8808-A-1002 | 1065, IEC Power Entry Module C18, 70°C, version: 2, L: blade terminal (4,8x0,8mm), N: blade terminal (4,8x0,8mm), ground: without terminal, fuseholder: blade terminal (4,8x0,8mm), color: jet black; RAL9005, design: flange with countersunk holes, dimension X: 00, features: holder for 1 fuse (text legible, when inlet on top), not used | 4304.6034    |

The listed variants should be available from stock. Other versions on request [www.schurter.com/contact](http://www.schurter.com/contact)

**Packaging unit** 50 Pcs

Accessories

Description



Assorted Covers  
Rear Cover

Mating Outlets/Connectors

Category / Description

[Connector Overview complete](#)



|   |        |
|---|--------|
| IEC Connector C15, Rewireable, Straight         | 0101   |
| IEC Connector C15A, Rewireable, Straight        | 0102   |
| IEC Connector C15A, Rewireable, Straight        | 0102-G |
| IEC Connector C15A, Rewireable, Angled          | 0112   |
| IEC Connector C13, Rewireable, Angled           | 4012   |
| <a href="#">Connector further types to 1065</a> | ...    |

[Power Cord Overview complete](#)



|  |      |
|--|------|
| Power Cord with IEC Connector C17, Angled        | 0301 |
| Power Cord with IEC Connector C13, Angled        | 0311 |
| Power Cord with IEC Connector C13, Angled        | 3011 |
| Power Cord with IEC Connector C13, Angled        | 3012 |
| Power Cord with IEC Connector C13, Angled        | 3013 |
| <a href="#">Power Cord further types to 1065</a> | ...  |

[Power Supply or Interconnection Cord Overview complete](#)

|  |                      |
|--|----------------------|
| Divers Power Supply and Interconnection Cords 10 A                         | Kabelverbindung/10 A |
| <a href="#">Power Supply or Interconnection Cord further types to 1065</a> |                      |