

IEC Appliance Inlet C18 with Fuseholder 1- or 2-pole



Description

- Panel Mount:
- Screw-on version from front or rear side, Appliance Inlet, Protection class II, Fuseholder for fuse-links 5 x 20 mm
- Solder terminals or quick connect terminals

Approvals

- UL License Number: E88880
- CSA License Number: 1084381

References

[General Product Information](#)

Weblinks

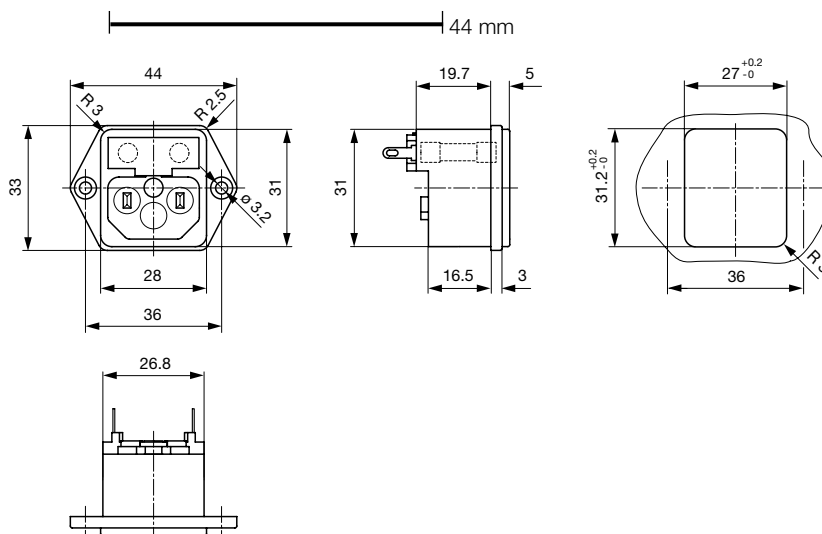
[Approvals](#), [RoHS](#), [CHINA-RoHS](#), [Mating Connectors](#), [e-Store](#), [Distributor-Stock-Check](#), [Accessories](#)

Technical Data

Ratings IEC	10 A / 250 VAC; 50 Hz
Ratings UL/CSA	10 A / 250 VAC; 60 Hz
Dielectric Strength	> 3 kVAC between L-N > 1.5 kVAC between L/N-PE (1 min/50 Hz)
Allowable Operation Temp.	-25 °C to 70 °C
Degree of Protection	from front side IP 20 acc. to IEC 60529
Protection Class	Suitable for appliances with protection class 2 acc. to IEC 61140
Terminal	Solder terminals or quick connect terminals
Material: Housing	UL 94V-0

Appliance Inlet	C18 acc. to IEC/EN 60320-1 UL 498, CSA C22.2 no. 42 (for cold conditions) pin-temperature 70 °C, 10 A, Protection Class 2
Fuseholder	1 or 2 pole, acc. to IEC 60127-6, for fuse-links 5 x 20 mm
Power Acceptance @ Ta > 23°C	Admissible power acceptance at higher ambient temperature see derating curves

Dimensions



length of the terminal please find at the order code configuration table

Config. Code

Product Configurator

1066 - H - A B C N - D - E G O

The characters are placeholders for the correspondingly keys of selections from the key tables.

1066 - H - A B C N - D - E G O = Type

Type	Configuration key
protection class 2	B

1066 - H - A B C N - D - E G O = Terminals

Terminal L	Configuration key
connection to fuse holder	B

1066 - H - A B C N - D - E G O = Terminals

Terminal N	Configuration key
short solder terminal (L=4,8mm)	2
long solder terminal (L=8,5mm)	3
blade terminal (4,8x0,8mm)	8
blade terminal (6,3x0,8mm)	9
connection to fuse holder	B

Symbols similar as in table A

1066 - H - A B C N - D - E G O = Terminals

Terminal Ground	Configuration key
without terminal	0

Symbols similar as in table A

1066 - H - A B C N - D - E G O = Terminal Fuseholder

Terminal Fuseholder	Configuration key
solder terminal	1

1066 - H - A B C N - D - E G O = Color

Color	Configuration key
jet black; RAL9005	A
silver grey; RAL7001	B
pure white; RAL9010	D
standard color: black	

1066 - H - A B C N - D - E G O = Style

Style	Configuration key
flange with countersunk holes	1
flange with through holes	2

1066 - H - A B C N - D - E G O = Dimension X

Dimension "X"	Configuration key
00	

The dimension "X" is displayed in ($1/10$ mm). This information is also valid for the order code

1066 - H - A B C N - D - E G O = Features

Features	Configuration key
dead cover	1
holder for 1 or 2 fuses (text legible, when inlet on top)	4
holder for 1 or 2 fuses (text legible, when inlet on bottom)	5

Variants

Config. Code	Description	Order Number
1066-X-B201-A-1004	1066, IEC Power Entry Module C18, 70°C, version: 2, L: connection to fuse holder, N: short solder terminal (L=4,8mm), ground: without terminal, fuseholder: solder terminal, color: jet black; RAL9005, design: flange with countersunk holes, dimension X: 00, features: holder for 1 or 2 fuses (text legible, when inlet on top), not used	4304.6035
1066-X-BB01-A-1004	1066, IEC Power Entry Module C18, 70°C, version: 2, L: connection to fuse holder, N: connection to fuse holder, ground: without terminal, fuseholder: solder terminal, color: jet black; RAL9005, design: flange with countersunk holes, dimension X: 00, features: holder for 1 or 2 fuses (text legible, when inlet on top), not used	4304.6036

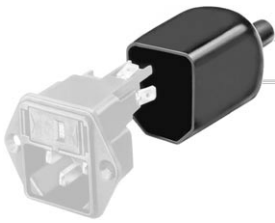
The listed variants should be available from stock Other versions on request www.schurter.com/contact

Packaging unit

50 Pcs

Accessories

Description



Assorted Covers
Rear Cover

Mating Outlets/Connectors

Category / Description

[Connector Overview complete](#)



IEC Connector C15, Rewireable, Straight	0101
IEC Connector C15A, Rewireable, Straight	0102
IEC Connector C15A, Rewireable, Straight	0102-G
IEC Connector C15A, Rewireable, Angled	0112
IEC Connector C13, Rewireable, Angled	4012
Connector further types to 1066	...

[Power Cord Overview complete](#)



Power Cord with IEC Connector C17, Angled	0301
Power Cord with IEC Connector C13, Angled	0311
Power Cord with IEC Connector C13, Angled	3011
Power Cord with IEC Connector C13, Angled	3012
Power Cord with IEC Connector C13, Angled	3013
Power Cord further types to 1066	...

[Power Supply or Interconnection Cord Overview complete](#)

Divers Power Supply and Interconnection Cords 10 A	Kabelverbindung/10 A
Power Supply or Interconnection Cord further types to 1066	