

10/100BASE-T SINGLE PORT TRANSFORMER MODULES

P/N: 16ST1119-2 DATA SHEET

Feature

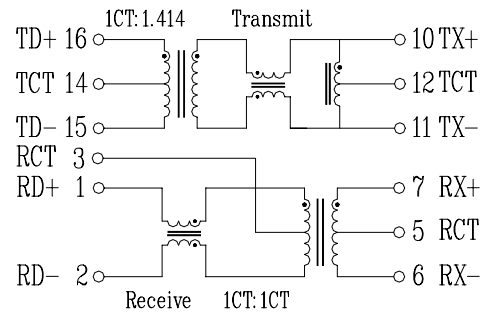


- Meets all IEEE802.3 and ANSI X3.263 standards including 350uH OCL with 8mA Bias.
- Designed for use with transceivers from AMD•KENDIN Semiconductor•and Quality Semiconductor.
- IC grade transfer-molded package suitable for reflow soldering temperatures up to 235°C.
- Patented interlock base construction for high reliability.
- Operating temperature range:0°C to +70°C.
- Storage temperature range:-25°C to +125°C.

Electrical Specifications @ 25°C

Part Number	Turns Ratio (±5%)		Insertion Loss (dB Max)	Return Loss (dB Min)			Cross Talk (dB Min)		HI-POT (Vrms)
	RX	TX		0.3-100 MHz	30MHz	60MHz	80MHz	0.3-60MHz	
16ST1119-2	1CT:1CT	1CT:1.414	-2.0	-16	-11	-10	-45	-35	1500

Schematic



Mechanical

