

# KR 2584 Bandpass Filter

## General Description

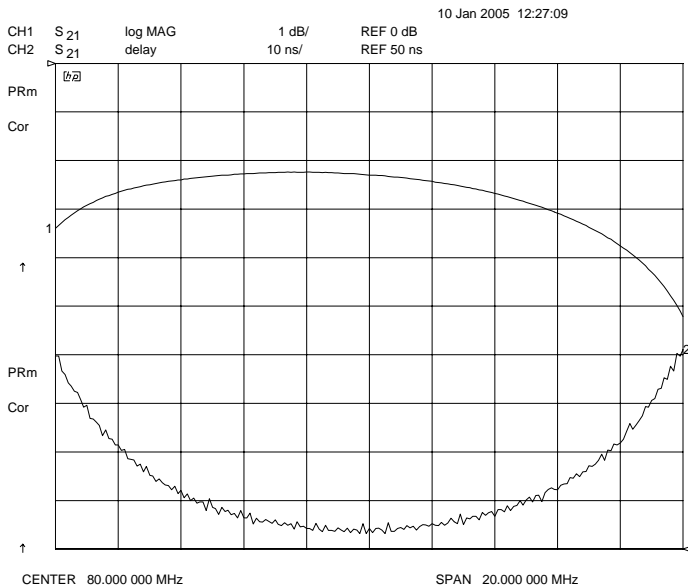
KR 2584 is a 80 MHz surface mount bandpass filter. Other center frequencies and bandwidths available. Please consult the factory.

### Features

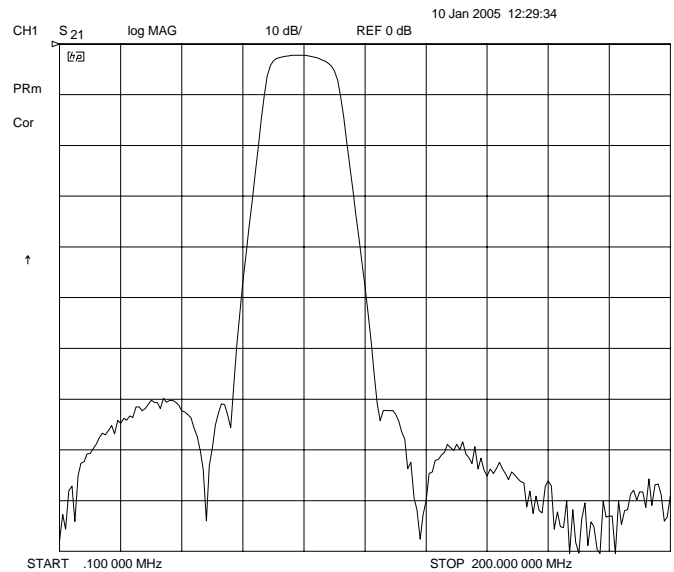
- Surface Mount Package
- Sharp Transition to Stopband
- >60 dB Stopband
- 50  $\Omega$  Source and Load

## Typical Performance

**Passband Amplitude & Group Delay**  
(1 dB/div & 10 nsec/div)



**Overall Response**  
(10 dB/div)



KR Electronics, Inc.  
91 Avenel Street  
Avenel, NJ 07001

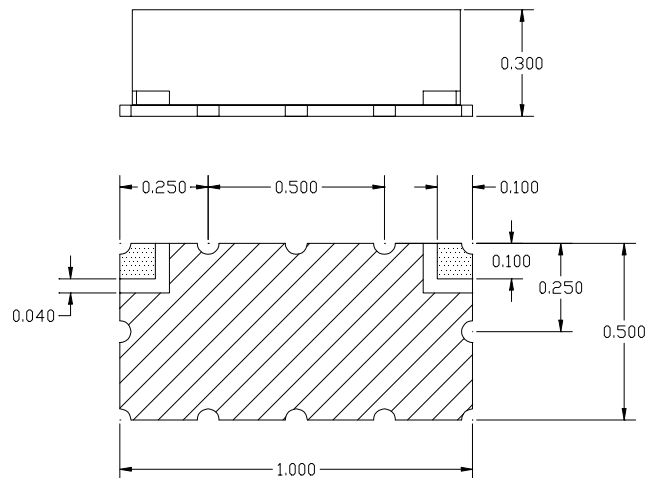
Web www.krfilters.com  
Email sales@krfilters.com  
Phone (732) 636-1900  
Fax (732) 636-1982

## KR 2584 Bandpass

### Specifications

Parameter	Specification
Filter type	Bandpass
Center Frequency	80 MHz
Insertion Loss	< 5 dB (< 3 dB typical)
Minimum 2 dB Passband	72 MHz to 88 MHz
Attenuation 56 MHz	> 60 dB
Attenuation 104 MHz	> 60 dB
Source and Load	50 $\Omega$

### Physical Dimensions



#### Notes:

1. Surface mount package — Metal cover, open frame
2. Dimensions in inches
3. Use SN60 or SN63 solder during installation
4. If boards are cleaned after installation, units must be completely dried to remove any entrapped moisture that will effect electrical performance