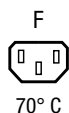


IEC Appliance Outlet F or H, Snap-in Mounting, Front Side, Solder or Quick-connect Terminal

**Description**

- Panel Mount:
 - Snap-in version, from front side
- Connector, Pin temperature 70 °C, protection class I or II
- Solder terminals or quick connect terminals

Approvals

- VDE License Number: 40010295
- UL License Number: E57445
- CSA License Number: 27324

References

[General Product Information](#)

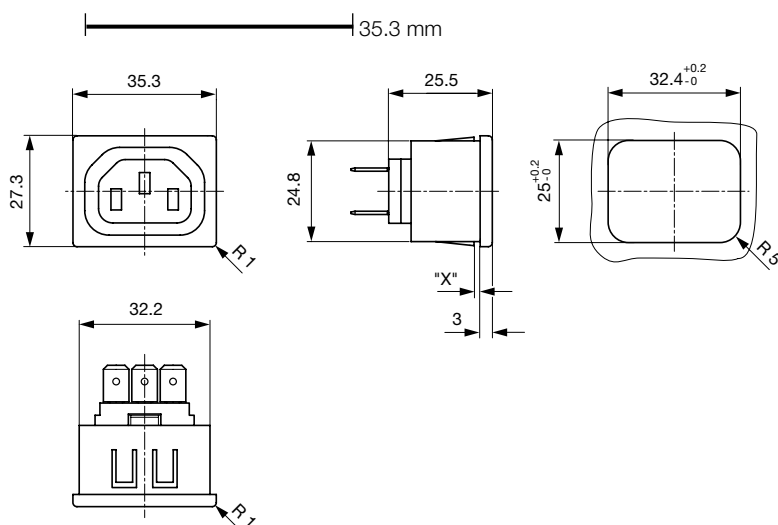
Weblinks

[Approvals](#), [RoHS](#), [CHINA-RoHS](#), [Mating Connectors](#), [e-Store](#), [Distributor-Stock-Check](#), [Accessories](#)

Technical Data

Ratings IEC	10A / 250VAC; 50Hz
Ratings UL/CSA	15A / 250VAC; 60Hz
Dielectric Strength	> 4 kVAC between L-N > 2 kVAC between L/N-PE (1 min/50Hz)
Allowable Operation Temp.	-25 °C to 70 °C
Degree of Protection	from front side IP 20 acc. to IEC 60529
Protection Class	Suitable for appliances with protection class 1 or 2 acc. to IEC 61140
Terminal	Solder terminals or quick connect terminals
Panel Thickness s	Snap-in version 1/1.5/2/2.5/3 mm
Material: Housing	UL 94V-0

Appliance Outlet	F acc. to IEC/EN 60320-2-2 UL 498, CSA C22.2 no. 42 (for cold conditions) pin-temperature 70 °C, 10A, Protection Class 1 or 2
------------------	--

Dimensions

length of the terminal please find at the order code configuration table
Dimension "X" please ref. to table order code

Config. Code

Product Configurator

5093 - H - A B C 0 - D - E G

The characters are placeholders for the correspondingly keys of selections from the key tables.

5093 - H - A B C 0 - D - E G = Type

Type	Configuration key
protection class 2	B
protection class 1	X

5093 - H - A B C 0 - D - E G = Terminals

Terminal L	Configuration key
solder terminal	1
blade terminal (6,3x0,8mm)	9



5093 - H - A B C 0 - D - E G = Terminals

Terminal N	Configuration key
solder terminal	1
blade terminal (6,3x0,8mm)	9

Symbols similar as in table A

5093 - H - A B C 0 - D - E G = Terminals

Terminal Ground	Configuration key
without terminal	0
solder terminal	1
blade terminal (6,3x0,8mm)	9

Symbols similar as in table A

5093 - H - A B C 0 - D - E G = Color

Color	Configuration key
jet black; RAL9005	A
silver grey; RAL7001	B
pure white; RAL9010	D

standard color: black

5093 - H - A B C 0 - D - E G = Style

Style	Configuration key
snap-in (x=panel thickness)	4

5093 - H - A B C 0 - D - E G = Dimension X

Dimension "X"	Configuration key
10	
15	
20	
25	
30	

The dimension "X" is displayed in ($1/10$ mm). This information is also valid for the order code

Variants

Config. Code	Description	Order Number
5093-B-1100-A-415	5093, IEC Appliance Outlet F, 70°C, version: 1 or 2, L: solder terminal, N: solder terminal, ground: without terminal, color: jet black; RAL9005, design: snap-in (x=panel thickness), dimension X: 15	6182.0013
5093-B-9900-A-415	5093, IEC Appliance Outlet F, 70°C, version: 1 or 2, L: blade terminal (6,3x0,8mm), N: blade terminal (6,3x0,8mm), ground: without terminal, color: jet black; RAL9005, design: snap-in (x=panel thickness), dimension X: 15	6182.0014
5093-B-9900-A-430	5093, IEC Appliance Outlet F, 70°C, version: 1 or 2, L: blade terminal (6,3x0,8mm), N: blade terminal (6,3x0,8mm), ground: without terminal, color: jet black; RAL9005, design: snap-in (x=panel thickness), dimension X: 30	6182.0015
5093-X-1110-A-410	5093, IEC Appliance Outlet F, 70°C, version: 1 or 2, L: solder terminal, N: solder terminal, ground: solder terminal, color: jet black; RAL9005, design: snap-in (x=panel thickness), dimension X: 10	6182.0016
5093-X-1110-A-415	5093, IEC Appliance Outlet F, 70°C, version: 1 or 2, L: solder terminal, N: solder terminal, ground: solder terminal, color: jet black; RAL9005, design: snap-in (x=panel thickness), dimension X: 15	6182.0017
5093-X-1110-A-420	5093, IEC Appliance Outlet F, 70°C, version: 1 or 2, L: solder terminal, N: solder terminal, ground: solder terminal, color: jet black; RAL9005, design: snap-in (x=panel thickness), dimension X: 20	6182.0018
5093-X-1110-A-430	5093, IEC Appliance Outlet F, 70°C, version: 1 or 2, L: solder terminal, N: solder terminal, ground: solder terminal, color: jet black; RAL9005, design: snap-in (x=panel thickness), dimension X: 30	6182.0019
5093-X-9990-A-410	5093, IEC Appliance Outlet F, 70°C, version: 1 or 2, L: blade terminal (6,3x0,8mm), N: blade terminal (6,3x0,8mm), ground: blade terminal (6,3x0,8mm), color: jet black; RAL9005, design: snap-in (x=panel thickness), dimension X: 10	6182.0020
5093-X-9990-A-415	5093, IEC Appliance Outlet F, 70°C, version: 1 or 2, L: blade terminal (6,3x0,8mm), N: blade terminal (6,3x0,8mm), ground: blade terminal (6,3x0,8mm), color: jet black; RAL9005, design: snap-in (x=panel thickness), dimension X: 15	6182.0021
5093-X-9990-A-420	5093, IEC Appliance Outlet F, 70°C, version: 1 or 2, L: blade terminal (6,3x0,8mm), N: blade terminal (6,3x0,8mm), ground: blade terminal (6,3x0,8mm), color: jet black; RAL9005, design: snap-in (x=panel thickness), dimension X: 20	6182.0022
5093-X-9990-A-425	5093, IEC Appliance Outlet F, 70°C, version: 1 or 2, L: blade terminal (6,3x0,8mm), N: blade terminal (6,3x0,8mm), ground: blade terminal (6,3x0,8mm), color: jet black; RAL9005, design: snap-in (x=panel thickness), dimension X: 25	6182.0023
5093-X-9990-A-430	5093, IEC Appliance Outlet F, 70°C, version: 1 or 2, L: blade terminal (6,3x0,8mm), N: blade terminal (6,3x0,8mm), ground: blade terminal (6,3x0,8mm), color: jet black; RAL9005, design: snap-in (x=panel thickness), dimension X: 30	6182.0024

The listed variants should be available from stock. Other versions on request www.schurter.com/contact

Config. Code	Description	Order Number
5093-X-9990-B-415	5093, IEC Appliance Outlet F, 70°C, version: 1 or 2, L: blade terminal (6,3x0,8mm), N: blade terminal (6,3x0,8mm), ground: blade terminal (6,3x0,8mm), color: silver grey; RAL7001, design: snap-in (x=panel thickness), dimension X: 15	6182.0025

The listed variants should be available from stock. Other versions on request www.schurter.com/contact

Packaging unit 50 Pcs

Mating Inlets/Plugs

Category / Description

[Interconnection Cord Overview complete](#)



Interconnection Cord with IEC Plug E, Angled	0607
Interconnection Cord with IEC Plug E, Angled	0608
Interconnection Cord with IEC Plug E, Straight	0609
Interconnection Cord with IEC Plug G, Angled	607B
Interconnection Cord with IEC Plug G, Angled	608B
Interconnection Cord further types to 5093	...

[Plug Overview complete](#)



IEC Plug E, Cord Connector (Rewireable), Straight, max. cable Diameter 8.5 mm	4732
IEC Plug E, Cord Connector (Rewireable), Angled, max. Cable Diameter 10 mm	4733
IEC Plug E, Cord Connector (Rewireable), Straight, max. Cable Diameter 10 mm	4735
IEC Plug E, Cord Connector (Rewireable), Angled, max. Cable Diameter 10 mm	4736
IEC Plug E, Cord Connector (Rewireable), Straight	9009
Plug further types to 5093	...