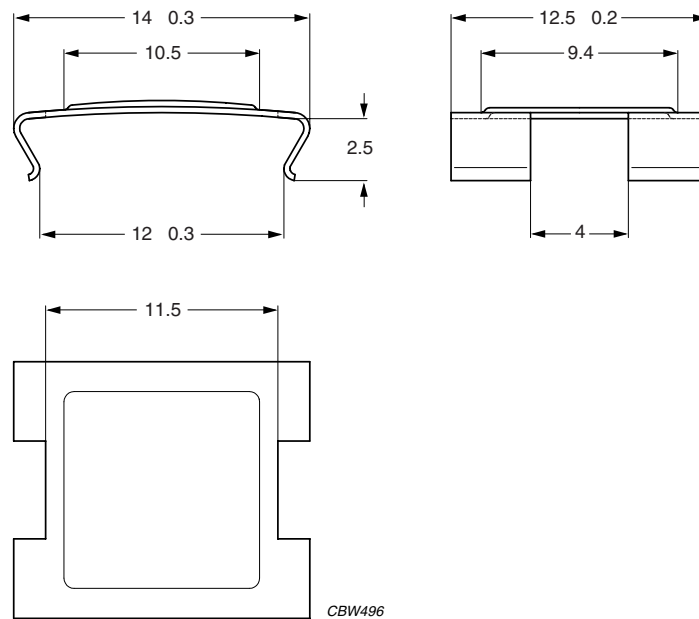


**MOUNTING PARTS**

**General data**

ITEM	REMARKS	FIGURE	TYPE NUMBER
Clamp	stainless steel (CrNi); clamping force 20 N	3	CLM-EFD12



Dimensions in mm.

Fig.3 EFD12 mounting clamp.