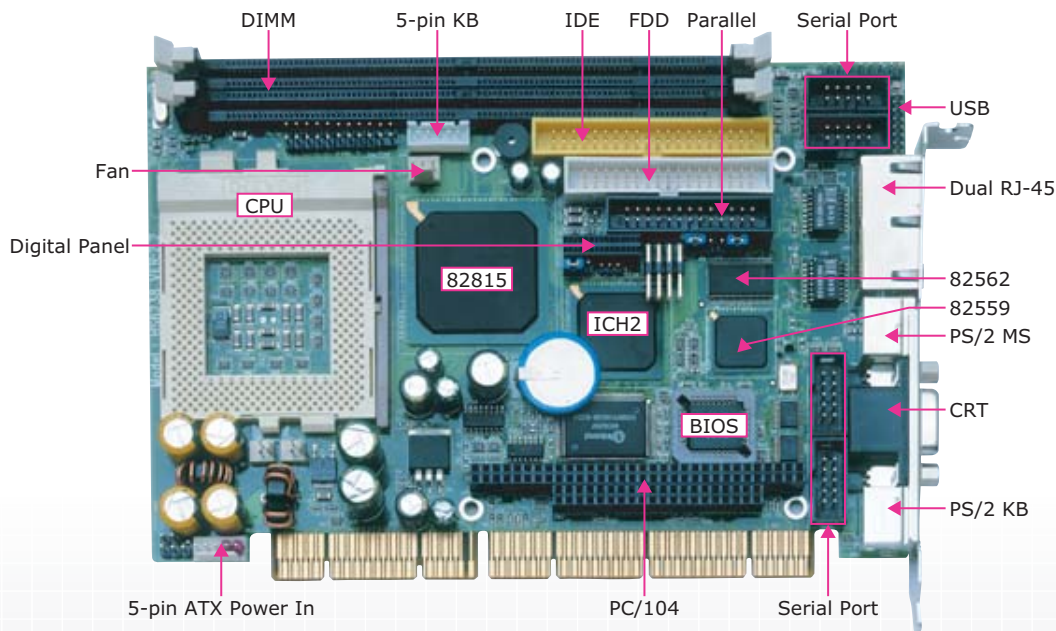


# HS-6238

Socket 370 processor PCI-ISA Bus SBC with CF, CRT/Digital Panel, Dual LAN, Audio



Single Board Computer  
PCI-ISA Bus

- CompactFlash
- ATA/33/66/100
- USB
- CRT/Digital Panel
- 4 COM
- WDT
- Dual LAN
- PC/104
- H/W Monitor
- Audio
- IrDA

## FEATURES

- ▶ Intel® Pentium® III/Celeron® processor 566MHz~1.2GHz
- ▶ Two DIMM sockets with a max. capacity of 512MB
- ▶ Intel® 82815 GMCH/ICH2 chipset
- ▶ Winbond W83627, SMC 37C669 super I/O chipset
- ▶ Intel® 82815 graphics controller
- ▶ Intel® 82559 & 82562 dual Ethernet controller
- ▶ AC97 3D audio controller
- ▶ Fast PCI ATA/33/66/100 IDE controller
- ▶ 4 COM, 4 USB, PC/104
- ▶ Hardware Monitor function
- ▶ CF, digital RGB display interface (optional)

## ORDERING GUIDE

- ▶ **HS-6238**  
Socket 370 processor SBC w/CRT, Dual LAN, Audio, 4C
- ▶ **HS-6238LLV**  
Socket 370 processor SBC w/CRT, Dual LAN, 4C
- ▶ **HS-6238LV**  
Socket 370 processor SBC w/CRT, LAN, 4C

### Accessory Options:

- A-1070(TTL)** DVO Adapter for TTL interface w/o cable
- A-1070(LVDS)** DVO Adapter for LVDS interface w/o cable
- A-1073(DVI)** DVI Adapter w/o cable

## SPECIFICATIONS

- \***CPU:**  
Intel® Pentium® III processor 600MHz~1GHz  
Intel® Celeron® processor 566MHz~1.2GHz
- \***Bus Interface:** PCI-ISA Bus (no 3.3V output through goldfinger)
- \***Memory:** Two DIMM sockets supports up to 512MB
- \***Chipset:** Intel® 82815 GMCH/ICH2
- \***I/O Chipset:** Winbond W83627, SMC 37C669
- \***CompactFlash:** One, Type I/II IDE interface adapter (optional)
- \***VGA:** Intel® 82815 supports CRT display up to 1280 x 1024 at 16 colors
- \***Panel Display:** Digital RGB interface (optional)
- \***Ethernet:** Intel® 82559 and 82562 dual 10/100 Based LAN
- \***Audio:** AC97 3D audio controller
- \***IDE:** One 2.54-pitch 40-pin IDE connector
- \***FDD:** Supports up to two floppy disk drives
- \***Parallel:** One enhanced bi-direction parallel port supports SPP/ECP/EPP
- \***Serial Port:** 16C550 UART-compatible RS-232 x 4 serial ports with 16-byte FIFO
- \***PC/104:** PC/104 Bus connector for 16-bit ISA Bus
- \***IrDA:** One IrDA TX/RX header
- \***USB:** 4 internal USB ports
- \***Keyboard:** PS/2 6-pin Mini DIN or 5-pin connector
- \***Mouse:** PS/2 6-pin Mini DIN
- \***BIOS:** AMI PnP Flash BIOS
- \***Watchdog Timer:** Software programmable time-out intervals from 1~255 sec.
- \***CMOS:** Battery backup
- \***Power In:** +5V@7.5A(1GHz CPU), +12V@120mA
- \***Temperature:** 0~+60°C (operating)
- \***Hardware Monitor:** Winbond W83627
- \***Dimensions:** 18.6(L) x 12.2(W) cm