

# IP4286CZ6

Integrated 4-channel ESD protection

Rev. 01 — 20 April 2009

Objective data sheet

## 1. Product profile

---

### 1.1 General description

The IP4286CZ6 is designed to protect the capacitive loads of Input/Output (I/O) ports (such as USB 2.0, Ethernet, DVI etc.) from being damaged by ElectroStatic Discharge (ESD).

To provide ESD protection to downstream signal and supply components, the IP4286CZ6 incorporates four pairs of ultra-low capacitance rail-to-rail diodes plus two Zener diodes. This provides protection against contact discharge voltages as high as  $\pm 8$  kV in accordance with IEC 61000-4-2, level 4.

The ESD protection is independent of the supply voltage due to the rail-to-rail diodes being connected to a Zener diode.

The IP4286CZ6 is fabricated using monolithic silicon technology and integrates 4 ultra-low capacitance rail-to-rail ESD protection diodes plus two Zener diodes.

### 1.2 Features

- Pb-free and RoHS compliant
- ESD IEC 61000-4-2 level 4,  $\pm 8$  kV contact discharge compliant protection
- Four input ESD rail-to-rail protection diodes with ultra-low input capacitance of 0.6 pF maximum
- Low-voltage clamping due to integrated Zener diodes

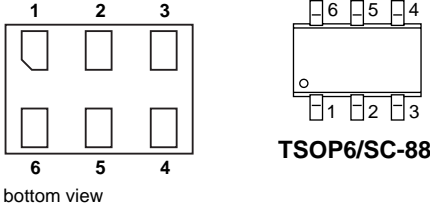
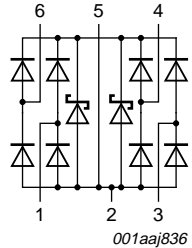
### 1.3 Applications

General-purpose downstream ESD protection high frequency analog signals and high-speed serial data transmission for ports inside:

- PC/Notebook USB 2.0/IEEE 1394 ports
- Cellular and PCS mobile handsets
- DVI interfaces
- HDMI interfaces
- Cordless telephones
- Wireless data (WAN/LAN) systems
- PDAs

## 2. Pinning information

Table 1. Pinning

Pin	Description	Simplified outline	Graphic symbol
1	ESD protection for I/O signals	 <p>bottom view</p> <p><b>XSON6</b></p> <p><b>TSOP6/SC-88</b></p>	 <p>001aaJ836</p>
2	ground		
3	ESD protection for I/O signals		
4	ESD protection for I/O signals		
5	ground		
6	ESD protection for I/O signals		

## 3. Ordering information

Table 2. Ordering information

Type number	Package		
	Name	Description	Version
IP4286CZ6-TTD	TSOP6	plastic surface-mounted package (TSOP6); 6 leads	SOT457
IP4286CZ6-TBF	XSON6	plastic extremely thin small outline package; no leads; 6 terminals; body 1 × 1.45 × 0.5 mm	SOT886
IP4286CZ6-TTY	SC-88	plastic surface-mounted package; 6 leads	SOT363

## 4. Limiting values

Table 3. Limiting values

In accordance with the Absolute Maximum Rating System (IEC 60134).

Symbol	Parameter	Conditions	Min	Max	Unit
$V_{ESD}$	electrostatic discharge voltage	IEC 61000-4-2, level 4, contact discharge	-8	+8	kV
$T_{stg}$	storage temperature		-55	+125	°C
$V_I$	input voltage		-0.5	+5.5	V

## 5. Characteristics

**Table 4. Characteristics**

$T_{amb} = 25^{\circ}C$  unless otherwise specified.

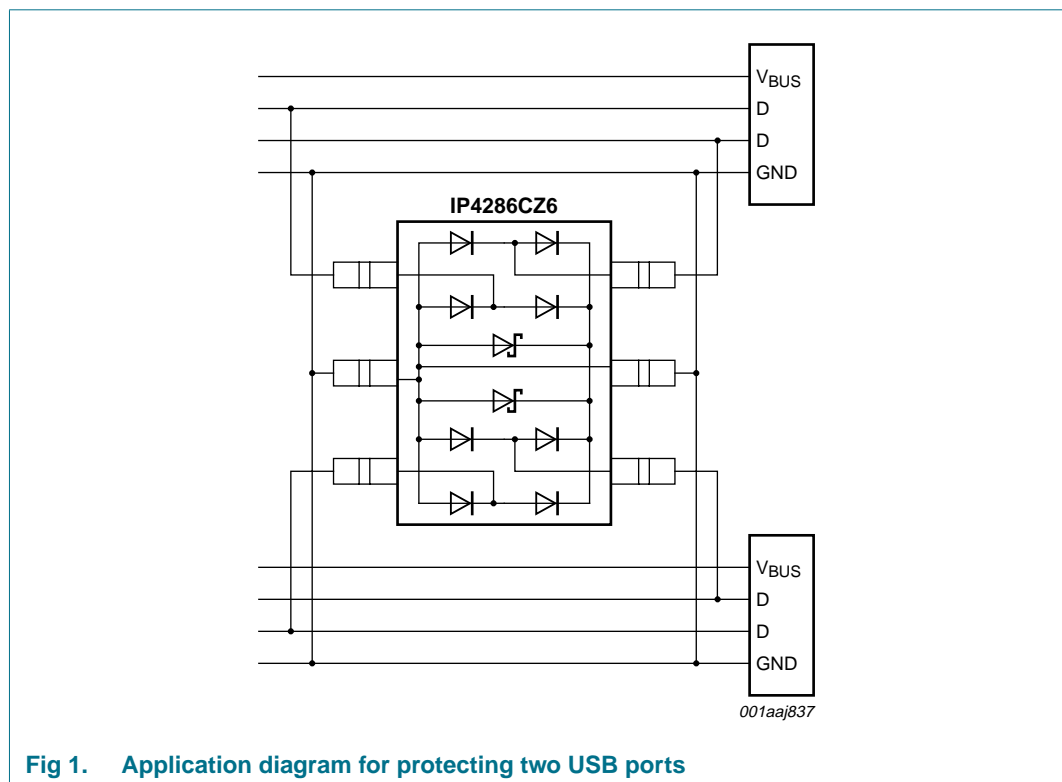
Symbol	Parameter	Conditions	Min	Typ	Max	Unit
$C_{(I/O-GND)}$	input/output to ground capacitance	pins 1, 3, 4 and 6 to ground; $V_I = 3.3\text{ V}$ ; $f = 1\text{ MHz}$	[1]	0.6	-	pF
$I_{LR}$	reverse leakage current	pins 1, 3, 4 and 6 to ground; $V_I = 3.0\text{ V}$	-	-	100	nA
$C_{(zd-GND)}$	Zener diode to ground capacitance	pin 5 and pin 2	[1]	20	-	pF
$V_{BRzd}$	Zener diode breakdown voltage	pin 5 and pin 2; $I = 1\text{ mA}$	6	-	9	V
$V_F$	forward voltage		-	0.7	-	V

[1] Guaranteed by design.

## 6. Application information

### 6.1 Typical application

The IP4286CZ6 is capable of protecting both USB data lines of a USB 2.0 port from Electrostatic Discharge and is optimized to protect two USB 2.0 ports simultaneously. A typical application is shown in [Figure 1](#).



**Fig 1. Application diagram for protecting two USB ports**

7. Package outline

Plastic surface-mounted package (TSOP6); 6 leads

SOT457

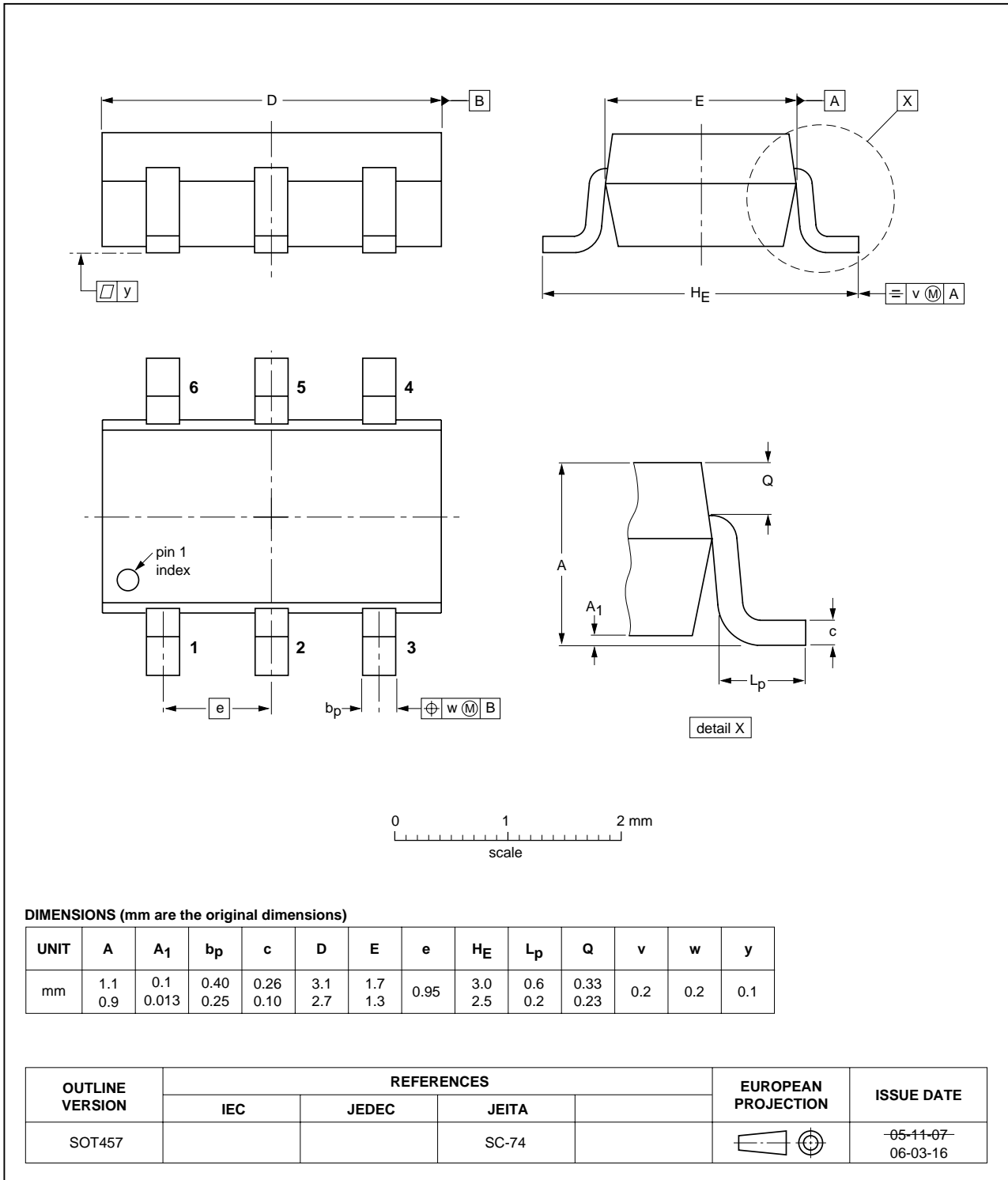


Fig 2. Package outline SOT457 (TSOP6)

XSON6: plastic extremely thin small outline package; no leads; 6 terminals; body 1 x 1.45 x 0.5 mm

SOT886

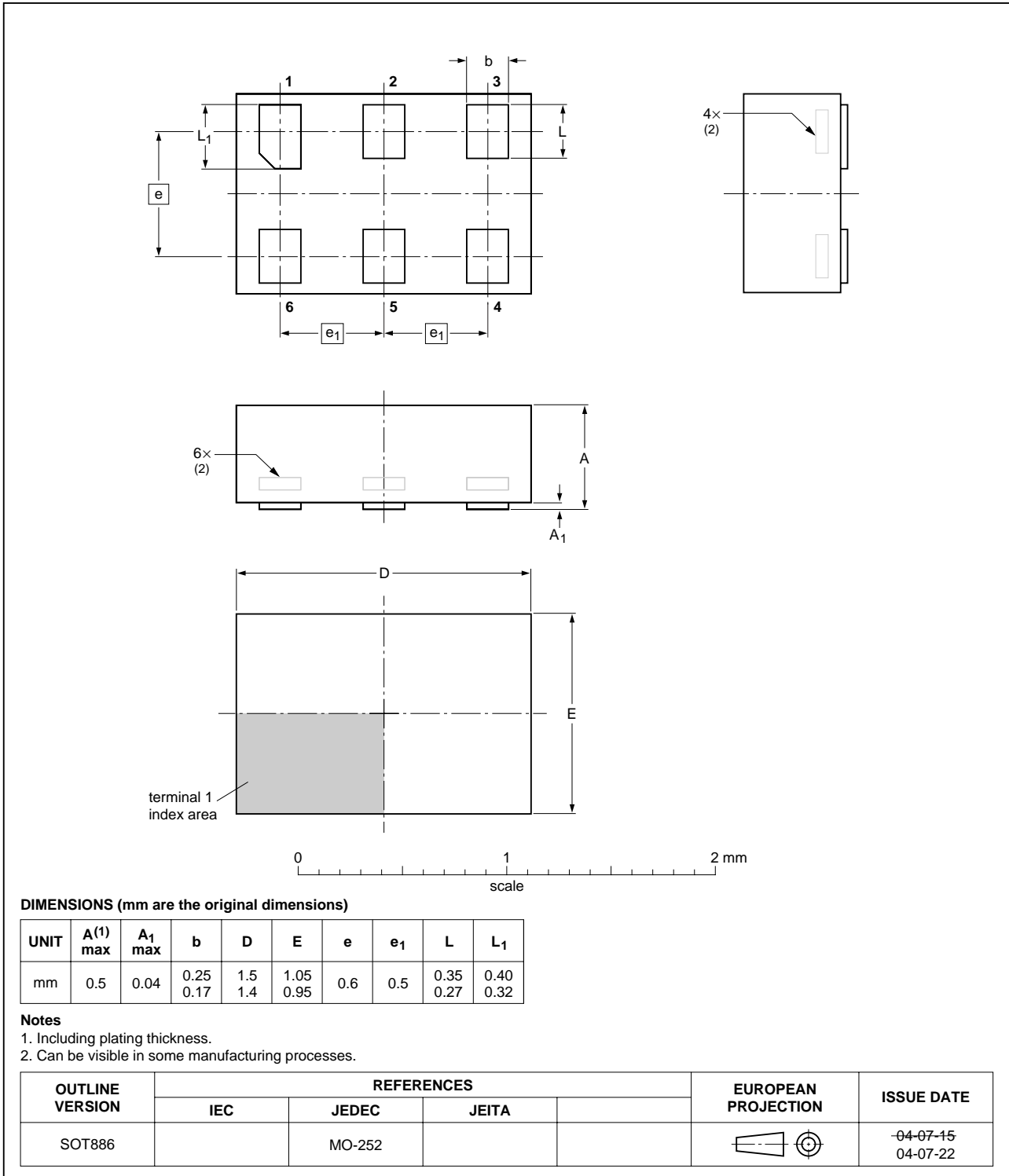


Fig 3. Package outline SOT886 (XSON6)

Plastic surface-mounted package; 6 leads

SOT363

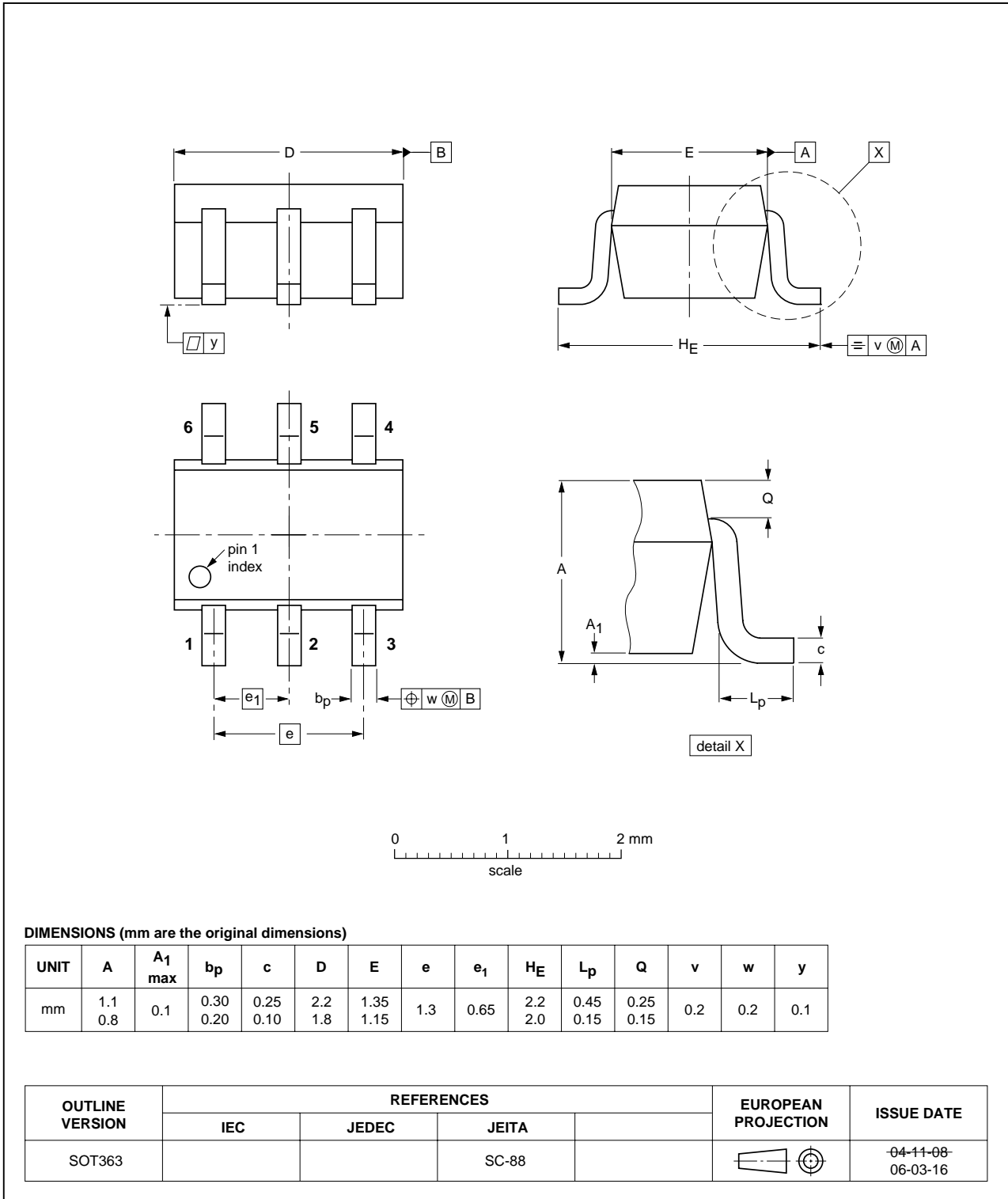


Fig 4. Package outline SOT363 (SC-88)

## 8. Soldering of SMD packages

This text provides a very brief insight into a complex technology. A more in-depth account of soldering ICs can be found in Application Note *AN10365 "Surface mount reflow soldering description"*.

### 8.1 Introduction to soldering

Soldering is one of the most common methods through which packages are attached to Printed Circuit Boards (PCBs), to form electrical circuits. The soldered joint provides both the mechanical and the electrical connection. There is no single soldering method that is ideal for all IC packages. Wave soldering is often preferred when through-hole and Surface Mount Devices (SMDs) are mixed on one printed wiring board; however, it is not suitable for fine pitch SMDs. Reflow soldering is ideal for the small pitches and high densities that come with increased miniaturization.

### 8.2 Wave and reflow soldering

Wave soldering is a joining technology in which the joints are made by solder coming from a standing wave of liquid solder. The wave soldering process is suitable for the following:

- Through-hole components
- Leaded or leadless SMDs, which are glued to the surface of the printed circuit board

Not all SMDs can be wave soldered. Packages with solder balls, and some leadless packages which have solder lands underneath the body, cannot be wave soldered. Also, leaded SMDs with leads having a pitch smaller than ~0.6 mm cannot be wave soldered, due to an increased probability of bridging.

The reflow soldering process involves applying solder paste to a board, followed by component placement and exposure to a temperature profile. Leaded packages, packages with solder balls, and leadless packages are all reflow solderable.

Key characteristics in both wave and reflow soldering are:

- Board specifications, including the board finish, solder masks and vias
- Package footprints, including solder thieves and orientation
- The moisture sensitivity level of the packages
- Package placement
- Inspection and repair
- Lead-free soldering versus SnPb soldering

### 8.3 Wave soldering

Key characteristics in wave soldering are:

- Process issues, such as application of adhesive and flux, clinching of leads, board transport, the solder wave parameters, and the time during which components are exposed to the wave
- Solder bath specifications, including temperature and impurities

### 8.4 Reflow soldering

Key characteristics in reflow soldering are:

- Lead-free versus SnPb soldering; note that a lead-free reflow process usually leads to higher minimum peak temperatures (see [Figure 5](#)) than a SnPb process, thus reducing the process window
- Solder paste printing issues including smearing, release, and adjusting the process window for a mix of large and small components on one board
- Reflow temperature profile; this profile includes preheat, reflow (in which the board is heated to the peak temperature) and cooling down. It is imperative that the peak temperature is high enough for the solder to make reliable solder joints (a solder paste characteristic). In addition, the peak temperature must be low enough that the packages and/or boards are not damaged. The peak temperature of the package depends on package thickness and volume and is classified in accordance with [Table 5](#) and [6](#)

**Table 5. SnPb eutectic process (from J-STD-020C)**

Package thickness (mm)	Package reflow temperature (°C)	
	Volume (mm <sup>3</sup> )	
	< 350	≥ 350
< 2.5	235	220
≥ 2.5	220	220

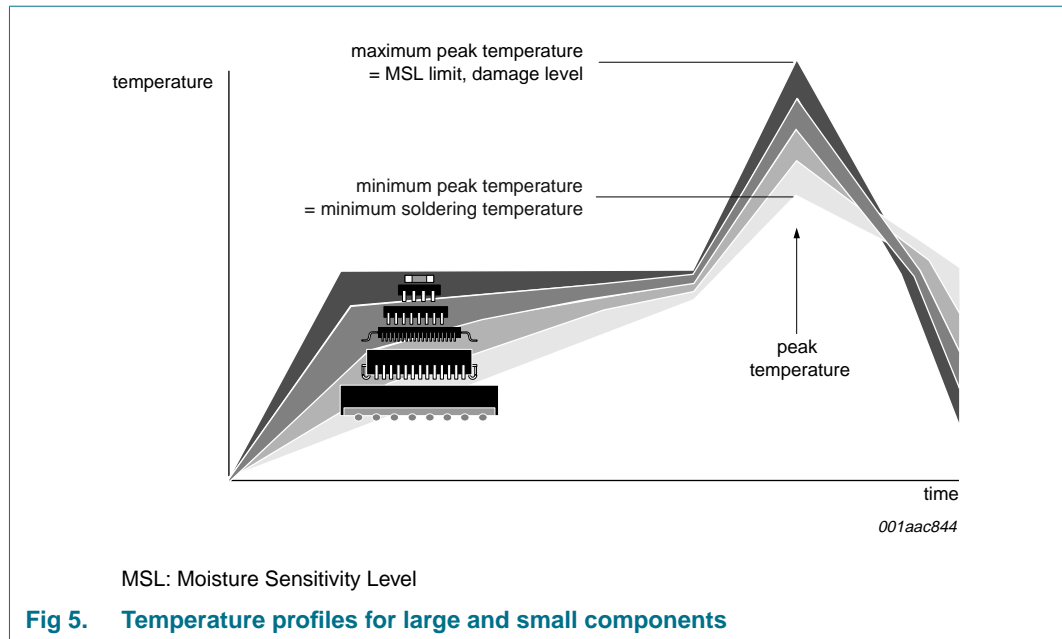
**Table 6. Lead-free process (from J-STD-020C)**

Package thickness (mm)	Package reflow temperature (°C)		
	Volume (mm <sup>3</sup> )		
	< 350	350 to 2000	> 2000
< 1.6	260	260	260
1.6 to 2.5	260	250	245
> 2.5	250	245	245

Moisture sensitivity precautions, as indicated on the packing, must be respected at all times.

Studies have shown that small packages reach higher temperatures during reflow soldering, see [Figure 5](#).





For further information on temperature profiles, refer to Application Note AN10365 “Surface mount reflow soldering description”.

## 9. Abbreviations

**Table 7. Abbreviations**

Acronym	Description
DVI	Digital Visual Interface
ESD	ElectroStatic Discharge
HDMI	High-Definition Multimedia Interface
LAN	Local Area Network
PCS	Personal Communications Services
PDA	Personal Digital Assistant
RoHS	Restriction of Hazardous Substances
USB	Universal Serial Bus
WAN	Wide Area Network

## 10. Revision history

**Table 8.** Revision history

Document ID	Release date	Data sheet status	Change notice	Supersedes
IP4286CZ6_1	20090420	Objective data sheet	-	-

## 11. Legal information

### 11.1 Data sheet status

Document status <sup>[1][2]</sup>	Product status <sup>[3]</sup>	Definition
Objective [short] data sheet	Development	This document contains data from the objective specification for product development.
Preliminary [short] data sheet	Qualification	This document contains data from the preliminary specification.
Product [short] data sheet	Production	This document contains the product specification.

[1] Please consult the most recently issued document before initiating or completing a design.

[2] The term 'short data sheet' is explained in section "Definitions".

[3] The product status of device(s) described in this document may have changed since this document was published and may differ in case of multiple devices. The latest product status information is available on the Internet at URL <http://www.nxp.com>.

### 11.2 Definitions

**Draft** — The document is a draft version only. The content is still under internal review and subject to formal approval, which may result in modifications or additions. NXP Semiconductors does not give any representations or warranties as to the accuracy or completeness of information included herein and shall have no liability for the consequences of use of such information.

**Short data sheet** — A short data sheet is an extract from a full data sheet with the same product type number(s) and title. A short data sheet is intended for quick reference only and should not be relied upon to contain detailed and full information. For detailed and full information see the relevant full data sheet, which is available on request via the local NXP Semiconductors sales office. In case of any inconsistency or conflict with the short data sheet, the full data sheet shall prevail.

### 11.3 Disclaimers

**General** — Information in this document is believed to be accurate and reliable. However, NXP Semiconductors does not give any representations or warranties, expressed or implied, as to the accuracy or completeness of such information and shall have no liability for the consequences of use of such information.

**Right to make changes** — NXP Semiconductors reserves the right to make changes to information published in this document, including without limitation specifications and product descriptions, at any time and without notice. This document supersedes and replaces all information supplied prior to the publication hereof.

**Suitability for use** — NXP Semiconductors products are not designed, authorized or warranted to be suitable for use in medical, military, aircraft, space or life support equipment, nor in applications where failure or malfunction of an NXP Semiconductors product can reasonably be expected to result in personal injury, death or severe property or environmental

damage. NXP Semiconductors accepts no liability for inclusion and/or use of NXP Semiconductors products in such equipment or applications and therefore such inclusion and/or use is at the customer's own risk.

**Applications** — Applications that are described herein for any of these products are for illustrative purposes only. NXP Semiconductors makes no representation or warranty that such applications will be suitable for the specified use without further testing or modification.

**Limiting values** — Stress above one or more limiting values (as defined in the Absolute Maximum Ratings System of IEC 60134) may cause permanent damage to the device. Limiting values are stress ratings only and operation of the device at these or any other conditions above those given in the Characteristics sections of this document is not implied. Exposure to limiting values for extended periods may affect device reliability.

**Terms and conditions of sale** — NXP Semiconductors products are sold subject to the general terms and conditions of commercial sale, as published at <http://www.nxp.com/profile/terms>, including those pertaining to warranty, intellectual property rights infringement and limitation of liability, unless explicitly otherwise agreed to in writing by NXP Semiconductors. In case of any inconsistency or conflict between information in this document and such terms and conditions, the latter will prevail.

**No offer to sell or license** — Nothing in this document may be interpreted or construed as an offer to sell products that is open for acceptance or the grant, conveyance or implication of any license under any copyrights, patents or other industrial or intellectual property rights.

**Export control** — This document as well as the item(s) described herein may be subject to export control regulations. Export might require a prior authorization from national authorities.

### 11.4 Trademarks

Notice: All referenced brands, product names, service names and trademarks are the property of their respective owners.

## 12. Contact information

For more information, please visit: <http://www.nxp.com>

For sales office addresses, please send an email to: [salesaddresses@nxp.com](mailto:salesaddresses@nxp.com)

**13. Contents**

**1 Product profile . . . . . 1**

1.1 General description . . . . . 1

1.2 Features . . . . . 1

1.3 Applications . . . . . 1

**2 Pinning information . . . . . 2**

**3 Ordering information . . . . . 2**

**4 Limiting values . . . . . 2**

**5 Characteristics . . . . . 3**

**6 Application information . . . . . 3**

6.1 Typical application . . . . . 3

**7 Package outline . . . . . 4**

**8 Soldering of SMD packages . . . . . 7**

8.1 Introduction to soldering . . . . . 7

8.2 Wave and reflow soldering . . . . . 7

8.3 Wave soldering . . . . . 7

8.4 Reflow soldering . . . . . 8

**9 Abbreviations . . . . . 9**

**10 Revision history . . . . . 10**

**11 Legal information . . . . . 11**

11.1 Data sheet status . . . . . 11

11.2 Definitions . . . . . 11

11.3 Disclaimers . . . . . 11

11.4 Trademarks . . . . . 11

**12 Contact information . . . . . 11**

**13 Contents . . . . . 12**

Please be aware that important notices concerning this document and the product(s) described herein, have been included in section 'Legal information'.



© NXP B.V. 2009.

All rights reserved.

For more information, please visit: <http://www.nxp.com>

For sales office addresses, please send an email to: [salesaddresses@nxp.com](mailto:salesaddresses@nxp.com)

Date of release: 20 April 2009

Document identifier: IP4286CZ6\_1