

ISRVGW9451

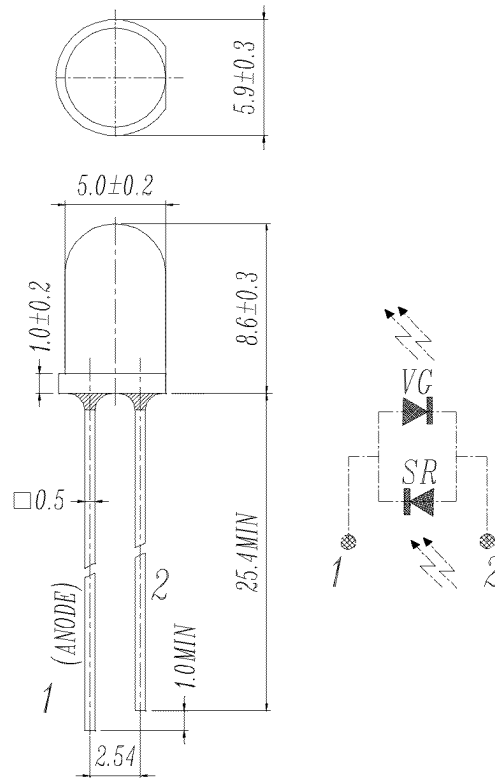
Page 1 of 2



This is a 5.0 mm multi-color round LED lamp.



RoHS Compliant
Aug 2004



PART NO.	Chip		Lens Color
	Material	Emitted Color	
ISRVGW9451	GaAlAs	Super Red	White Diffused
	GaP	Green	

* Specifications subject to change without notice. Dimensions are in mm±0.25 unless stated otherwise.

IDEA, Inc., 1351 Titan Way, Brea, CA 92821 Ph:714-525-3302, 800-LED-IDEA; Fax: 714-525-3304 0507

Absolute Maximum Ratings at $T_a = 25\text{ }^\circ\text{C}$

Parameter	Symbol	Rating	Units
Forward Current	I_F	SR 40	mA
		VG 30	
Operating Temperature	T_{opr}	-40 to +85	$^\circ\text{C}$
Storage Temperature	T_{stg}	-40 to +100	$^\circ\text{C}$
Soldering Temperature	T_{sol}	260 ± 5	$^\circ\text{C}$
Power Dissipation	P_d	SR 110	mW
		VG 100	
Peak Forward Current (Duty 1/10 @ 1KHz)	I_F (Peak)	SR 180	mA
		VG 160	
Reverse Voltage	V_R	5	V

Electronic Optical Characteristics

Parameter	Symbol	Min.	Typ.	Max.	Units	Condition
Luminous Intensity	I_V	SR 16	25	—	mcd	$I_F = 20\text{ mA}$
		VG 6.3	10	—		
Viewing Angle	$2\theta_{1/2}$	—	80	—	deg	$I_F = 20\text{ mA}$
Peak Wavelength	λ_p	SR —	660	—	nm	$I_F = 20\text{ mA}$
		VG —	570	—		
Dominant Wavelength	λ_d	SR —	643	—	nm	$I_F = 20\text{ mA}$
		VG —	571	—		
Spectrum Radiation Bandwidth	$\Delta\lambda$	SR —	20	—	nm	$I_F = 20\text{ mA}$
		VG —	30	—		
Forward Voltage	V_F	SR 1.5	1.7	2.4	V	$I_F = 20\text{ mA}$
		VG 1.7	2.1	2.4		
Reverse Current	I_R	—	—	10	μA	$V_R = 5\text{ V}$

* Specifications subject to change without notice. Dimensions are in mm \pm 0.25 unless stated otherwise.