

1 →

Video

### Composite Video and Ethernet

The OTS-1V1ETR provides for the digital transmission of 1 Channel of Composite Video and 1 Channel of Duplex 10/100 Ethernet.

Audio

### System Design

All units come in an insert card version. The cards can be inserted into our 16-slot, 19" rack-mountable card cage (OT-CC-16-100) or one of our smaller Optiva™ Desktop Card Racks (OT-DTCR Series).

Data

← 1 →

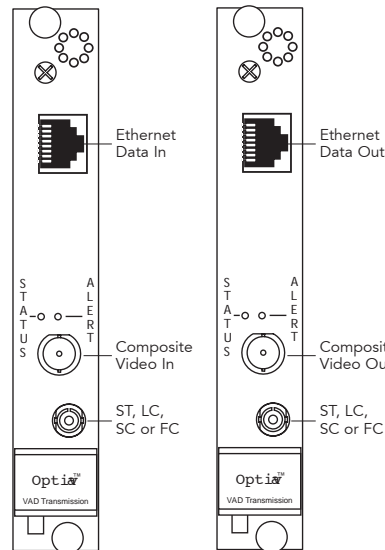
Ethernet

The Optiva™ Desktop Card Racks can handle one, two or four insert cards, creating compact, mountable, stand alone systems. The use of separate OT-DTCR enclosures allows for future flexibility and expansion as all cards are hot-swappable and can be used in any enclosure. Each one of our card housing units operate with an appropriate power supply. See "Accessories" for power supply specifications.

### Optiva™ Upgrade Path

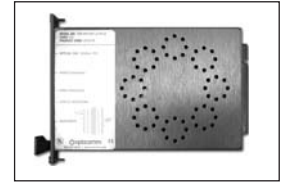
This system can be purchased without an optical port as an add-on to an existing Optiva™ system daisy-chain. (See "Non-Optical Version" below).

The Optiva™ bandwidth requirement of this system is 523 Mbps.



OTS-1VT1ETR

OTS-1VR1ERT



Each insert card comes with a label identifying the specific protocols handled, connector pin-out and other vital information.

For optimal bandwidth allocation, each insert card can daisy-chain with an additional card in the same chassis. See "Optiva™ Upgrade Path".

### Features

- Composite Video and Ethernet over one fiber
- 10-Bit Digital Transmission
- TDM - Single fiber, dual wavelength
- Complies with SMPTE standards for Video transmission
- Compatible with MDM-7000 Series for WDM and CWDM multiplexing
- No EMI or RFI and no ground loops
- Stand alone or rack-mount
- Ideal for Professional AV applications

### Versions Available\*

Wavelength (nm) & Fiber	Transmit/Receive**	Receive/Transmit**	Optical Connector	Optical Budget (dB)	Range*** (km)	Form Factor
1310/1550 Multimode	OTS-1VT1ETR-A1/A3M-XX-IC	OTS-1VR1ERT-A3M/A1-XX-IC	ST, FC, LC or SC	10	3	IC (1-slot)
1310/1550 Singlemode	OTS-1VT1ETR-A2/A3-XX-IC	OTS-1VR1ERT-A3/A2-XX-IC	ST, FC, LC or SC	12	20	IC (1-slot)
1310/1550 SM (D)	OTS-1VT1ETR-A2/A3D-XX-IC	OTS-1VR1ERT-A3D/A2-XX-IC	ST, FC, LC or SC	17	40	IC (1-slot)
1310/1550 SM (H)	OTS-1VT1ETR-A2/A3H-XX-IC	OTS-1VR1ERT-A3H/A2-XX-IC	ST, FC, LC or SC	25	60	IC (1-slot)
1270-1610 SM (CWDM)	OTS-1VT1ETR-L4/L4-XX-IC	OTS-1VR1ERT-L4/L4-XX-IC	ST, FC, LC or SC	Varies	20-70	IC (1-slot)
Non-Optical Version	OTS-1VT1ETR-NOC-IC	OTS-1VR1ERT-NOC-IC	N/A	N/A	N/A	IC (1-slot)

\* Contact Opticomm for other versions available.

\*\* XX indicates the type of optical connector. Each of ST, FC, LC or SC are available.

\*\*\* Chromatic dispersion and additional losses should be taken into account.

# Composite Video, Audio & Data

## Video

Standard	SMPTE 170M; RS-250C
Bit Resolution	10-Bit Processing; 10-Bit Transmission
Level	1.0 Volt p-p
Bandwidth	5.5 MHz
Differential Gain	< 1%
Differential Phase	< 0.7°
Compatibility	NTSC, PAL
Signal to Noise Ratio	> 67 dB
Connector	BNC (IEC 60169-8)

## Data

Standard	Ethernet IEEE 802.3 (Auto-Negotiation)
Data Rate	10/100 Mbps
Connector	RJ-45 UTP

## General

Dimensions & Weight	Insert Card (IC): 6.3" L x 0.8" W x 4.0" H	11 oz
Operating temperature	-20° C to +55° C	
Storage temperature	-40° C to +85° C	
Humidity	0 to 95% non-condensing	
Operating voltage	9-12 V <sub>DC</sub>	
Consumption	1 Amp Max per Insert Card	
System Latency	Less than 1ms	

**Local Monitoring** LED Status Indication

**Remote Monitoring** Compatible with OptivaView™  
SNMP Management Suite

- Optiva™ Configurable Communication Platform
- Network Management
- SDI & HD-SDI
- Composite Video, Audio & Data**
- RGB/VGA/DVI
- Audio/FSK/Intercom
- Data (Ethernet/Serial/USB)
- CATV/RF & L-Band
- Optical Switching, Routing & Redundancy
- Passive Multiplexing Solutions
- Enclosures, Racks & Frames
- Power Supplies & Accessories

**10 YEAR WARRANTY** **ISO 9001:2000 CERTIFIED**



**FCC PART 15 COMPLIANT**

MADE IN THE USA

## Sample Configuration

