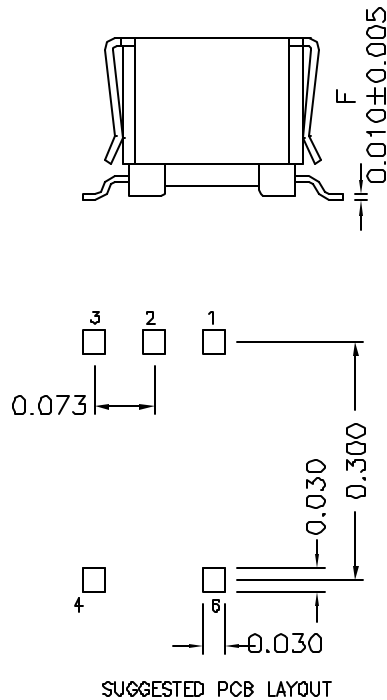
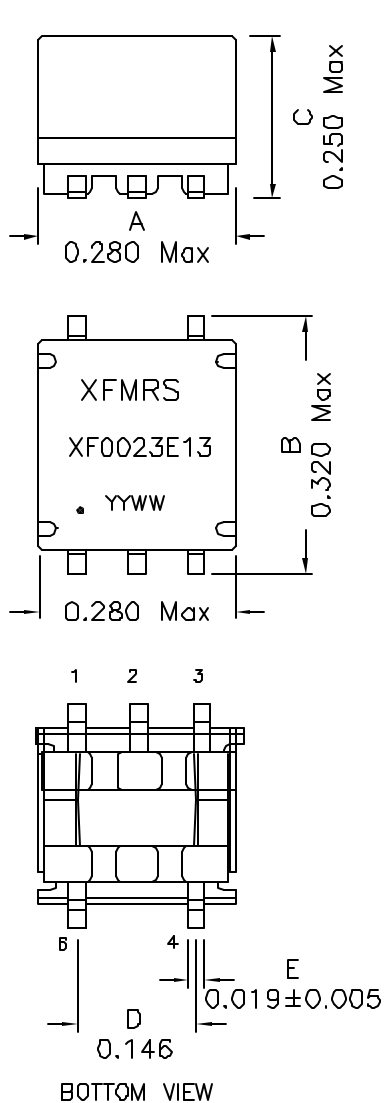


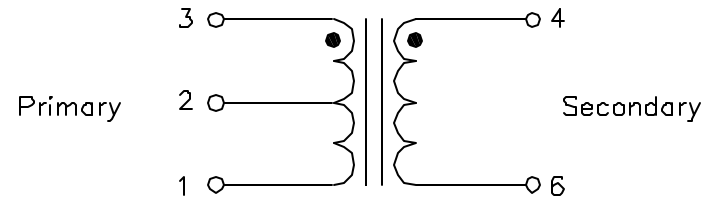
Dimensions:



Notes:

1. Solderability: Leads shall meet MIL-STD-2026, Method 208H for solderability.
2. Flammability: UL94V-0
3. ASTM oxygen index: > 28%
4. Insulation System: Class F 155°C. UL file E151556
5. Operating Temperature Range: All listed parameters are to be within tolerance from -40°C to +85°C
6. Storage Temperature Range: -55°C to +125°C
7. Aqueous wash compatible
8. SMD Lead Coplanarity: ±0.004"(0.102mm)
9. Electrical and mechanical specifications 100% tested
10. RoHS Compliant Component

Schematic:



Electrical Specifications:

OCL: Pins 3-1 2.15mH Min 10KHz, 0.1V
 Leakage L: Pins 3-1 4.0uH Max 100KHz, 0.1V
 Short 4-6
 Cw/w: Pins 3-4 60pF Max 100KHz, 0.1V
 DC Res.: Pins 3-2 1.85 Ohms Max
 DC Res.: Pins 2-1 2.10 Ohms Max
 DC Res.: Pins 4-6 7.20 Ohms Max
 Long. Bal.: 35dB Min @1.544MHz
 Return Loss: 18db Min @50K-3.072MHz
 Operating Temp.: -40 to +85°C
 Isolation: 1500Vac PRI to SEC
 Turns Ratio: (3-1):(4-6) = 1CT:2±1%

DOC. REV: A/4

XFMR5 Inc www.XFMR5.com		Title: T1/E1/ISDN-Pri xfmr	
UNLESS OTHERWISE SPECIFIED TOLERANCES: .xx ±0.010 Dimensions in Inches Scale 2.5:1 SHT 1 OF 1	P/N: XF0023E13		REV A
	DWN.	李小锋	Oct-16-07
	CHK.	康玉坤	Oct-16-07
	APP.	MS	Oct-16-07

PROPRIETARY

Document is the property of XFMR5 Group & is not allowed to be duplicated without authorization.