

Power Relay 410 63 125°C

- 1 pole 16 A, 1 NO or 1 NC contact
- Switching capacity 4000 VA
- Coil power 360 mW
- 4 kV / 8 mm coil-contact, insulation to VDE 0631 and 0700
- Ambient temperature up to 125°C
- Quick connect terminals for load side
- WG version: Materials in accordance to IEC 60335-1

Applications

White goods appliances, oven control, electric heating, power supplies, air conditioning, motors, magnetic valves



F0248-BA

Approvals

VDE REG.-Nr. 3725, cULus E214025
 Technical data of approved types on request

Contact data

Contact configuration	1NO or 1NC
Contact set	single contact
Type of interruption	micro disconnection
Rated voltage / max. switching voltage AC	250 / 400 VAC
Rated current	16 A
Limiting making capacity, max 4 s, duty factor 10%	25 A
Contact material	AgCdO, AgNi
Rated frequency of operation with / without load	10 / 600 min ⁻¹

Contact ratings

Type	Contact	Load	Ambient temp. [°C]	Cycles
IEC 61810				
410 63 ... 001	NO	16 A, 250 VAC, cosφ=1	125°C	50x10 ³
410 63 ... 001	NO	12 A, 250 VAC, cosφ=1	125°C	200x10 ³
410 63 ... 001	NO	16 A, 250 VAC, cosφ=1	105°C	100x10 ³
410 63 ... 002	NC	16 A, 250 VAC, cosφ=1	125°C	50x10 ³
410 63 ... 005	NO	16 A, 250 VAC, cosφ=1	125°C	50x10 ³
410 63 ... 005	NO	12 A, 250 VAC, cosφ=1	125°C	200x10 ³
410 63 ... 005	NO	16 A, 250 VAC, cosφ=1	105°C	100x10 ³
410 63 ... 006	NC	16 A, 250 VAC, cosφ=1	125°C	50x10 ³

Coil data

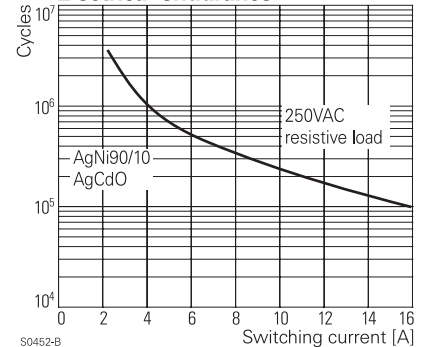
Rated coil voltage DC coil	6...60 VDC
Operative range to IEC 61810	1
Coil insulation system according UL1446	Class F

Coil versions, DC-coil

Coil code	Rated voltage VDC	Operate voltage VDC	Release voltage VDC	Coil resistance Ohm	Rated coil power mW
054	6	3.6	0.45	100±10%	360
053	9	5.5	0.68	230±10%	352
050	12	7.3	0.9	400±10%	360
046	24	14.6	1.8	1600±10%	360
043	48	29.2	3.6	6400±10%	360
042	60	36.5	4.5	10000±10%	360

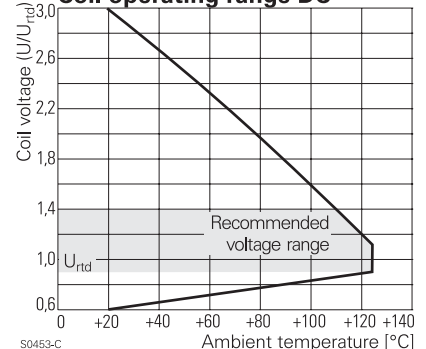
All figures are given for coil without preenergization, at ambient temperature +23°C
 Other coil voltages on request

Electrical endurance



S0452-B

Coil operating range DC



S0453-C

Power Relay 410 63 125°C (Continued)

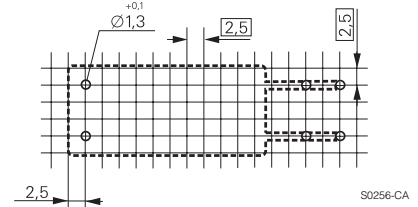
Insulation

Dielectric strength coil-contact circuit	4000 V _{rms}
open contact circuit	1000 V _{rms}
Clearance / creepage coil-contact circuit	≥ 8 / 8 mm
Material group of insulation parts	≥ IIIa
Tracking index of relay base	PTI 250
Insulation to IEC 61810-1	
Type of insulation coil-contact circuit	reinforced
open contact circuit	micro disconnection
Rated insulation voltage	250 V
Pollution degree	3
Rated voltage system	230 / 400 V
Overvoltage category	III

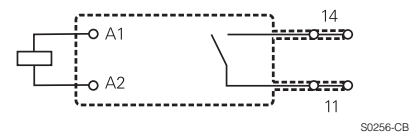
Other data

Mechanical endurance	1x10 ⁶ cycles
Material	
RoHS - Directive 2002/95/EC	compliant as per product date code 0349
Resistance to heat and fire, WG version	according EN60335, par.30
Environment	
Ambient temperature range	-20...+125°C
Category of protection	RTII - flux proof
Processing	
Mounting	pcb
Resistance to soldering heat	270°C / 10 s
Relay weight	24 g
Packaging unit	1050 pcs

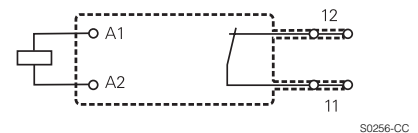
PCB layout / terminal assignment
Bottom view on solder pins



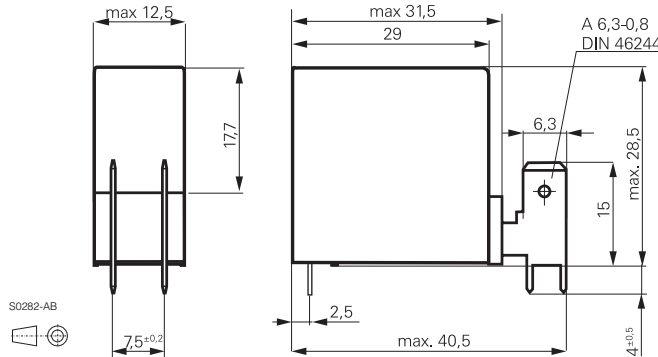
1 NO contact



1 NC contact



Dimensions



Product key

Typical product key **041063 050 001**

Type

41063 Power Relay 410 63 125°C

Coil

Coil code: please refer to coil versions table, preferred types in bold print

Version

001	1 NO contact (1 form A), AgCdO	002	1 NC contact (1 form B), AgCdO
005	1 NO contact (1 form A), AgNi	006	1 NC contact (1 form B), AgNi

Version

Blank	Standard version
WG	Product in accordance with IEC 60335-1 (domestic appliances)

Other types on request

Product key	Version	Cont. material	Cont.configuration	Coil	Part number
0410 63 050 001	standard	AgCdO	1 NO contact	12 VDC	3-1415410-4
0410 63 046 001	PCB terminals			24 VDC	3-1415410-0
0410 63 050 002	quick connect term.		1 NC contact	12 VDC	3-1415410-5