

**Small  
Series 140-101  
CostSaver Composite  
Junction Box**

**TABLE II: MATERIAL COLOR & FINISH OPTIONS**

Sym	Material & Color	Finish Options
B	Thermoplastic / Black	XO and XMS
G	Thermoplastic / Grey	XO and XMS
-	Thermoplastic / NA	XM, XW and XZN

**TABLE I: FINISHES**

Symbol	Finish Description
XO	No Plating (Non-Conductive Finish)
XMS	Internal Surfaces - Electroless Nickel External Surfaces - See Table II
XM	All Surfaces - Electroless Nickel
XW	All Surfaces - Cadmium Olive Drab over Electroless Nickel
XZN	All Surfaces - Zinc Nickel/Black
XMT	2000 Hour Corrosion Resistant Ni-PTFE, Nickel-Fluorocarbon Polymer. <i>1000 Hour Grey™</i>

**TABLE III: KEY DIMENSIONS**

Box Series Number	External Dimensions	Internal Dimensions (with Aluminum Mounting Plate Installed, if applicable)
Small 140-101	5.18 (132) x 6.00 (152) x 3.35 (85)	3.94 (100) x 4.72 (120) x 2.63 (67)

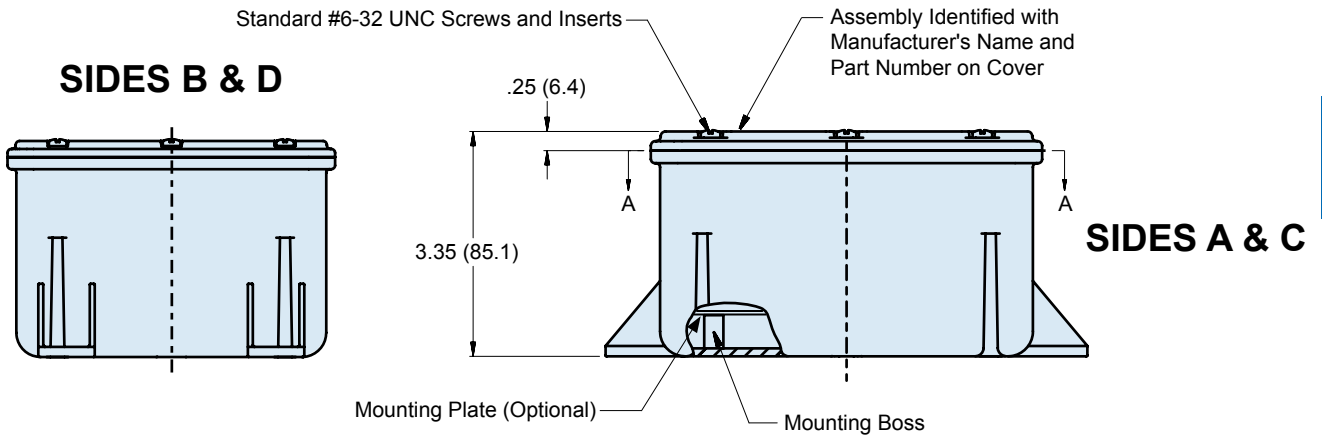
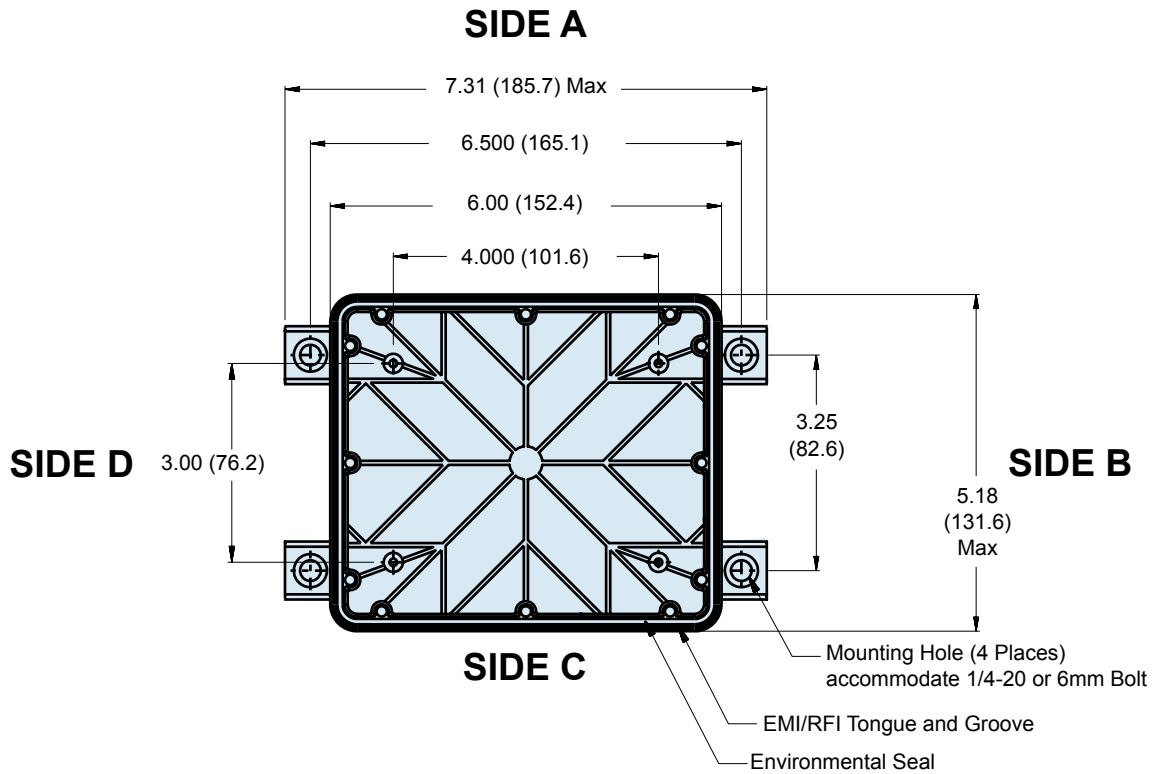
**NOTES**

1. Use Dash Number 0000 for Basic Box with No Additional Options Beyond Your Specified Finish. 0000 Basic Box Includes #6-32 UNC Fasteners.
2. Box Series Numbers are for reference only. Please complete the worksheet on E-14 and call the factory for part number assignment for your specific box configuration.
3. Metric dimensions (mm) are in parenthesis and for reference only

Series 140-101  
Small Junction Box



Composite  
Junction  
Boxes



**E**