

**Large
Series 140-103
CostSaver Composite
Junction Box**

TABLE II: MATERIAL COLOR & FINISH OPTIONS

Sym	Material & Color	Finish Options
B	Thermoplastic / Black	XO and XMS
G	Thermoplastic / Grey	XO and XMS
-	Thermoplastic / NA	XM, XW and XZN

TABLE I: FINISHES

Symbol	Finish Description
XO	No Plating (Non-Conductive Finish)
XMS	Internal Surfaces - Electroless Nickel External Surfaces - See Table II
XM	All Surfaces – Electroless Nickel
XW	All Surfaces – Cadmium Olive Drab over Electroless Nickel
XZN	All Surfaces – Zinc Nickel/Black
XMT	2000 Hour Corrosion Resistant Ni-PTFE, Nickel-Fluorocarbon Polymer. <i>1000 Hour Grey™</i>

TABLE III: KEY DIMENSIONS

Box Series Number	External Dimensions	Internal Dimensions (with Aluminum Mounting Plate Installed, if applicable)
Large 140-103	9.10 (231) x 9.10 (231) x 4.50 (114)	7.87 (200) x 7.87 (200) x 3.78 (96)

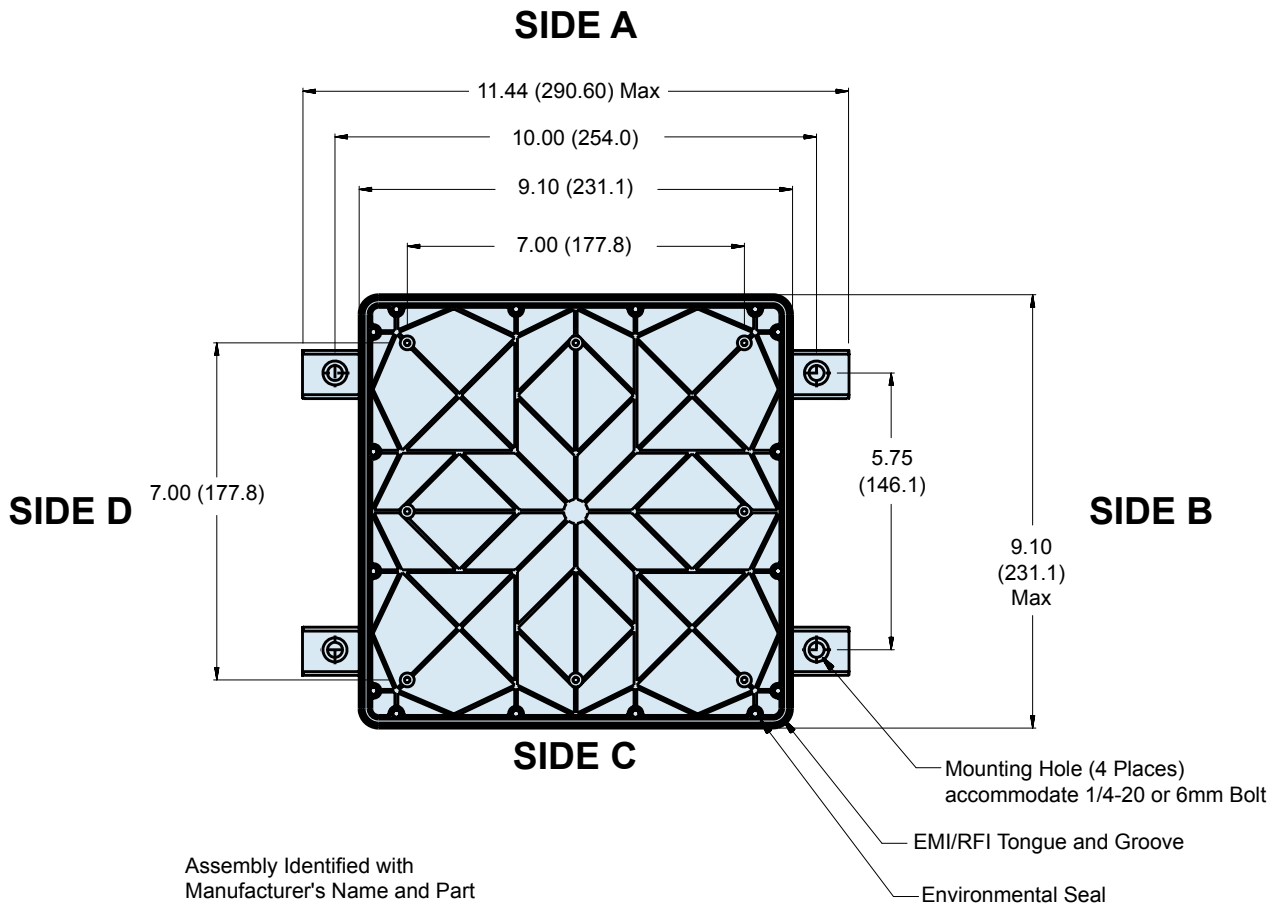
NOTES

- Use Dash Number 0000 for Basic Box with No Additional Options Beyond Your Specified Finish. 0000 Basic Box Includes #6-32 UNC Fasteners.
- Box Series Numbers are for reference only. Please complete the worksheet on E-14 and call the factory for part number assignment for your specific box configuration.
- Metric dimensions (mm) are in parenthesis and for reference only

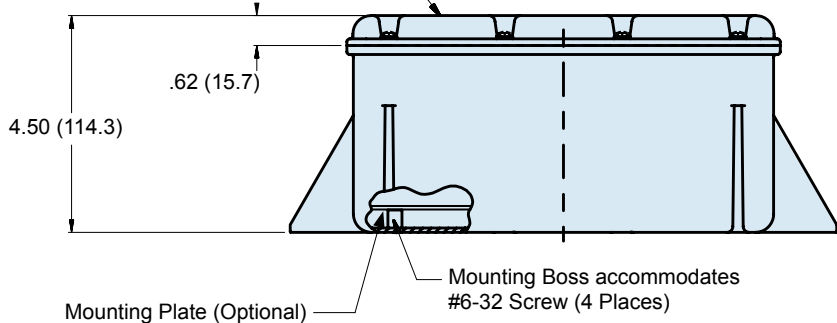
Series 140-103
Large Junction Box



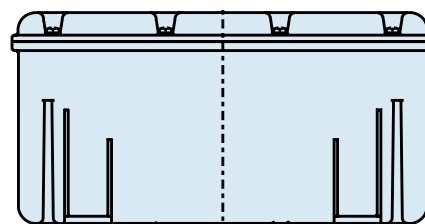
Composite
Junction
Boxes



Assembly Identified with
Manufacturer's Name and Part
Number



SIDES A & C



SIDES B & D

