

**P/N: 24ST6121CX DATA SHEET****Feature**

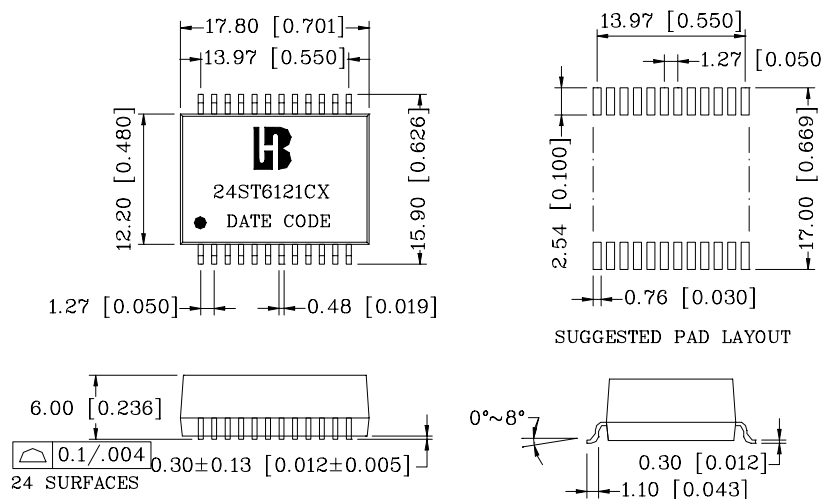
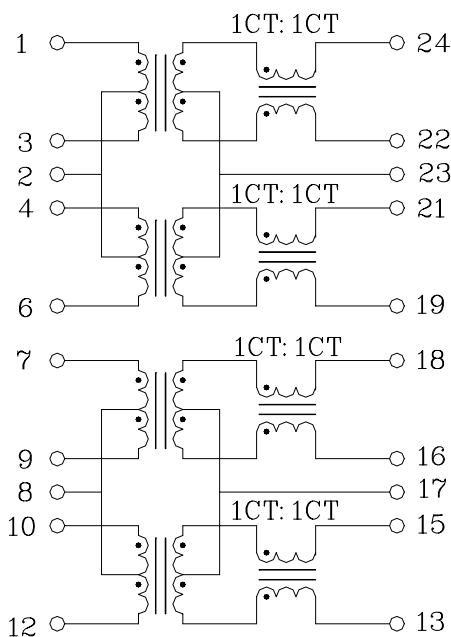
- Designed to meet IEEE802.3u requirement.
- Operating temperature range: 0 to +70 .
- Storage temperature range: -25 to +125 .

**Electrical Specifications @ 25°C**

Part Number	Turns Ratio (±5%)		OCL(uH Min) @100KHz/0.1V with 8mA DC Bias	L.L (uH Max)	C <sub>WW</sub> (pF Max)	DCR ( Max)	HI-POT (Vrms)
	TX	RX					
24ST6121CX	1CT:1CT	1CT:1CT	350	0.5	56	0.7&1.1	1500

**Continue**

Part Number	Insertion Loss (dB Max)	Return Loss (dB Min)			Cross talk (dB Min)			DCMR (dB Min)		
		0.3-100MHz	30MHz	60MHz	80MHz	30MHz	60MHz	80MHz	30MHz	60MHz
24ST6121CX	-1.15	-20	-14	-12	-45	-40	-35	-43	-37	-33

**Schematic****Mechanical**

Units: mm[Inches] Tolerance: xx.x0±0.25[0.010]  
0.xx±0.05[0.002]